

REMOVAL

HINT:

- Use the same procedures for the RH side and LH side.
- The procedures listed below are for the LH side.

CAUTION:

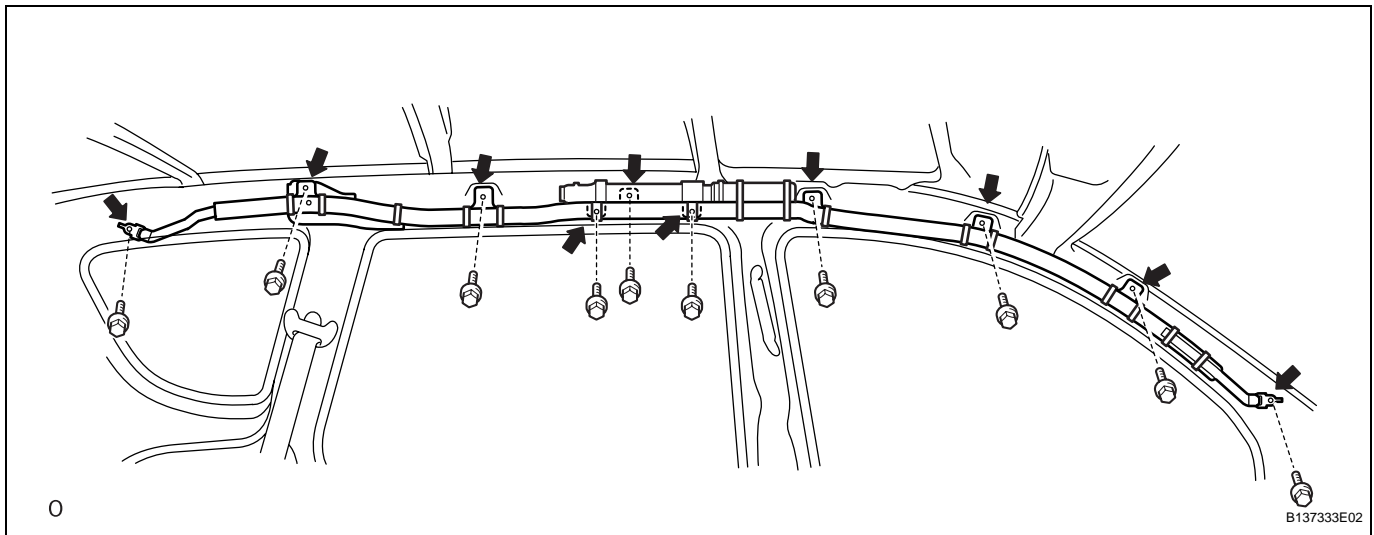
Be sure to read the precautionary notices concerning the SRS airbag system before servicing it (see page [RS-1](#)).

1. DISCONNECT CABLE FROM NEGATIVE BATTERY TERMINAL

CAUTION:

Wait at least 90 seconds after disconnecting the cable from the negative (-) battery terminal to prevent airbag and seat belt pretensioner activation.

2. REMOVE ROOF HEADLINING ASSEMBLY (See page [IR-37](#))
3. REMOVE CURTAIN SHIELD AIRBAG ASSEMBLY LH



- (a) Disconnect the connector.

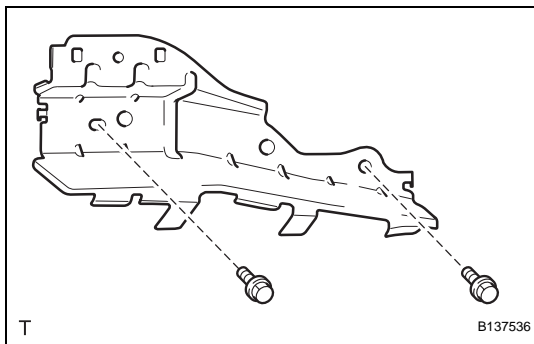
NOTICE:

When handling the airbag connector, take care not to damage the airbag wire harness.

- (b) Remove the 10 bolts and curtain shield airbag.

4. REMOVE ROOF SIDE RAIL BRACKET LH

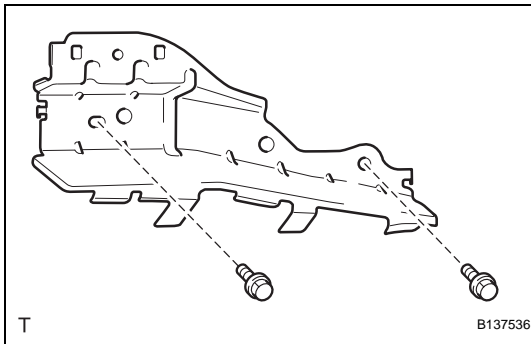
- (a) Remove the 2 bolts and bracket.



INSTALLATION

CAUTION:

Be sure to read the precautionary notices concerning the SRS airbag system before servicing it (see page [RS-1](#)).

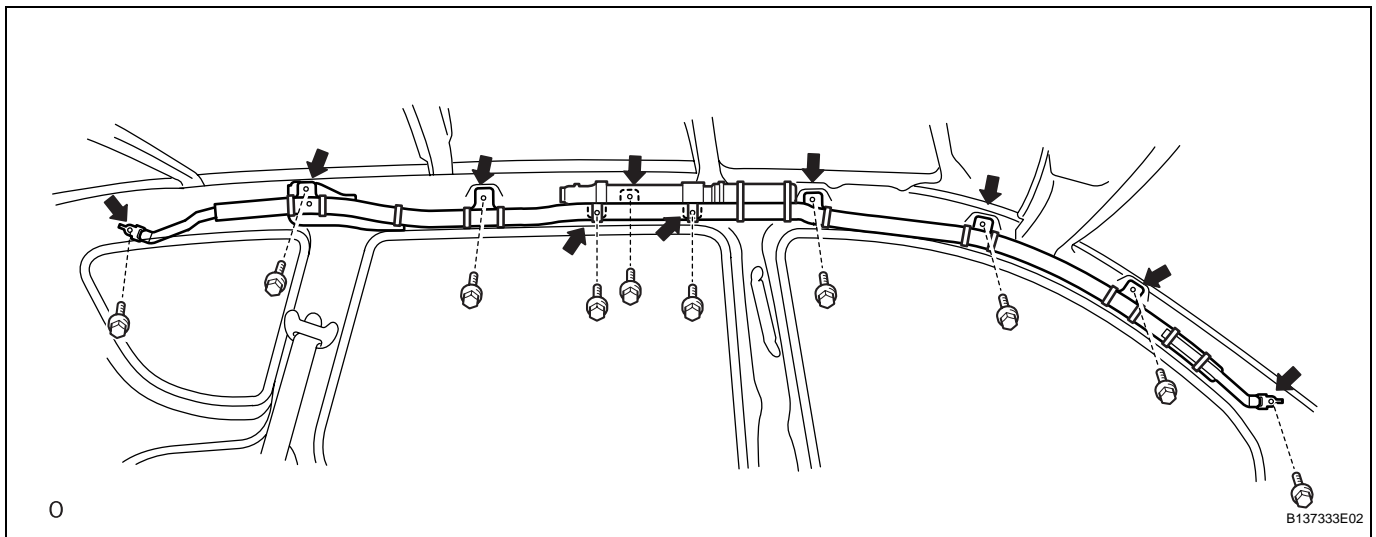


1. INSTALL ROOF SIDE RAIL BRACKET LH

- (a) Install the bracket with the 2 bolts.

Torque: 14 N*m (143 kgf*cm, 10 ft.*lbf)

2. INSTALL CURTAIN SHIELD AIRBAG ASSEMBLY LH



- (a) Install the curtain shield airbag with the 10 bolts.

Torque: 14 N*m (143 kgf*cm, 10 ft.*lbf)

NOTICE:

Do not twist the curtain shield airbag when installing it.

- (b) Connect the connector.

NOTICE:

When handling the airbag connector, take care not to damage the airbag wire harness.

3. INSTALL ROOF HEADLINING ASSEMBLY (See page [IR-50](#))

4. CONNECT CABLE TO NEGATIVE BATTERY TERMINAL

5. CHECK SRS WARNING LIGHT

- (a) Check the SRS warning light (see page [RS-34](#)).

DISPOSAL

HINT:

When scrapping a vehicle equipped with an SRS or disposing of the curtain shield airbag assembly, be sure to deploy the airbag first in accordance with the procedure described below. If any abnormality occurs with the airbag deployment, contact the SERVICE DEPT. of TOYOTA MOTOR SALES, U.S.A., INC.

CAUTION:

- **Never dispose of a curtain shield airbag assembly that has an undeployed airbag.**
- **The airbag produces an exploding sound when it is deployed, so perform the operation outdoors and where it will not create a nuisance to nearby residents.**
- **When deploying the airbag, always use the specified SST (SRS airbag deployment tool). Perform the operation in a place away from electrical noise.**
- **When deploying the airbag, perform the operation at least 10 m (33 ft.) away from the curtain shield airbag assembly.**
- **The curtain shield airbag assembly becomes extremely hot when the airbag is deployed, so do not touch it for at least 30 minutes after deployment.**
- **Use gloves and safety glasses when handling a curtain shield airbag assembly with a deployed airbag.**
- **Do not apply water to a curtain shield airbag assembly with a deployed airbag.**
- **Always wash your hands with water after completing the operation.**

1. DISPOSE OF CURTAIN SHIELD AIRBAG ASSEMBLY (WHEN INSTALLED IN VEHICLE)

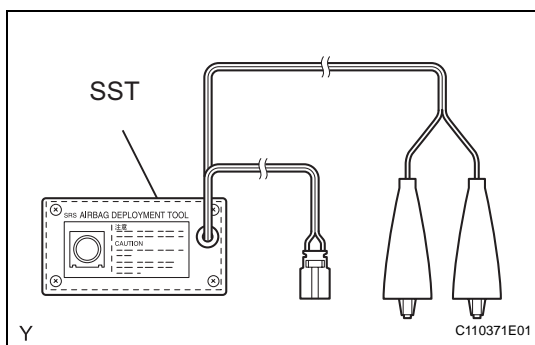
HINT:

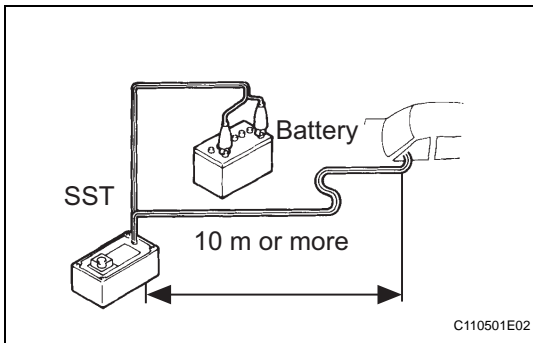
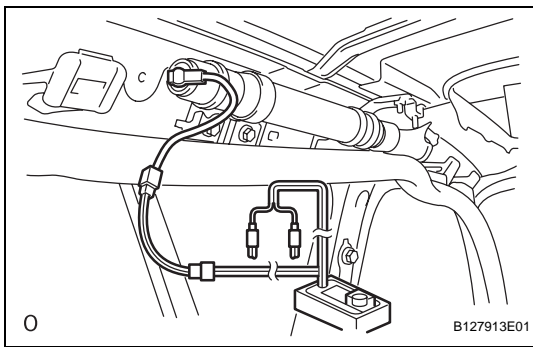
Prepare a battery as the power source to deploy the airbag.

- (a) Check if SST is functioning properly.
- (b) Follow the "Precaution" (see page [RS-1](#)).
- (c) Disconnect the cable from the negative battery terminal. Wait for 90 seconds after disconnecting the cable to prevent the airbag from deploying.
- (d) Remove the roof headlining assembly (see page [IR-37](#)).
- (e) Install SST.
 - (1) Disconnect the connector from the curtain shield airbag assembly.

NOTICE:

When handling the airbag connector, take care not to damage the airbag wire harness.





- (2) After connecting SST to each other, connect them to the curtain shield airbag assembly.
SST 09082-00700, 09082-00802 (09082-10801, 09082-20801)

NOTICE:

To avoid damaging the SST connector and wire harness, do not lock the secondary lock of the twin lock.

- (3) Move the SST at least 10 m (33 ft.) away from the vehicle rear side window.
 (4) Maintaining enough clearance for the SST wire harness in the rear side window, close all doors and windows of the vehicle.

NOTICE:

Take care not to damage the SST wire harness.

- (5) Connect the SST's red clip to the battery positive (+) terminal and the black clip to the battery negative (-) terminal.

- (f) Deploy the airbag.

- (1) Check that no one is inside the vehicle or within a 10 m (33 ft.) radius of the vehicle.
 (2) Press the SST activation switch and deploy the airbag.

CAUTION:

- When deploying the airbag, make sure that no one is near the vehicle.
- The curtain shield airbag becomes extremely hot when the airbag is deployed, so do not touch it for at least 30 minutes after deployment.
- Use gloves and safety glasses when handling a curtain shield airbag with a deployed airbag.
- Do not apply water to a curtain shield airbag with a deployed airbag.
- Always wash your hands with water after completing the operation.

HINT:

The airbag is deployed as the LED of the SST activation switch comes on.

2. DISPOSE OF CURTAIN SHIELD AIRBAG ASSEMBLY (WHEN NOT INSTALLED IN VEHICLE)

NOTICE:

- When disposing of the curtain shield airbag, never use the customer's vehicle to deploy the airbag.
- Be sure to follow the procedure detailed below when deploying the airbag.

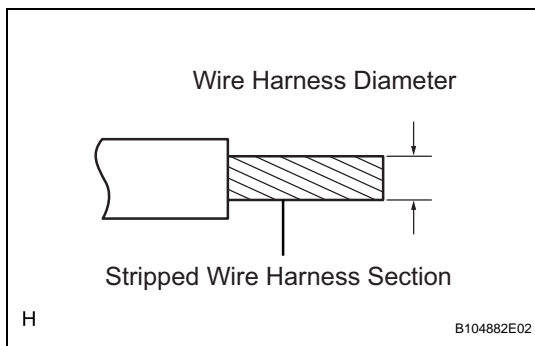
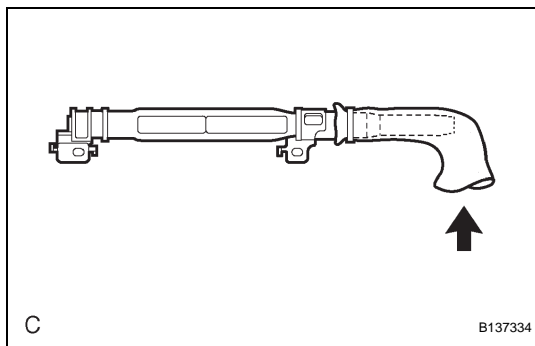
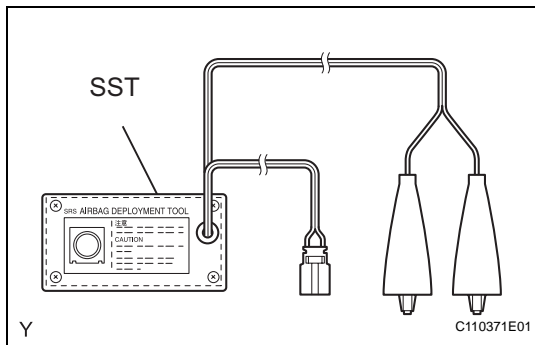
HINT:

Prepare a battery as the power source to deploy the airbag.

- (a) Check if SST is functioning properly.
- (b) Remove the curtain shield airbag (see page RS-360).

CAUTION:

When removing the curtain shield airbag, work must be started 90 seconds after the ignition switch is turned off and the negative (-) terminal cable is disconnected from the battery.



- (c) Cut off the deployment section of the curtain shield airbag.

- (d) Using a service-purpose wire harness for the vehicle, tie down the curtain shield airbag to the tire.

Wire harness:**Stripped wire harness section**

1.25 mm² or more (0.0019 in.² or more)

CAUTION:

If the wire harness is too thin or an alternative object is used to tie down the curtain shield airbag, it may be snapped due to the shock when the airbag is deployed. Always use a wire harness for vehicle use with an area of at least 1.25 mm² (0.0019 in.²).

HINT:

To calculate the area of the stripped wire harness section:

$$\text{Area} = 3.14 \times (\text{Diameter})^2 / 4$$

- (1) Position the curtain shield airbag assembly inside the tire as shown in the illustration.

Tire size:**Width minimum:**

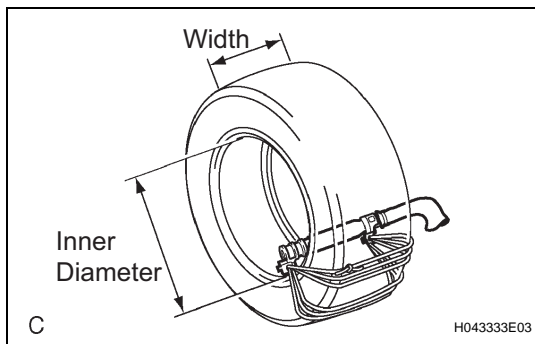
185 mm (7.28 in.)

Inner diameter minimum:

360 mm (14.17 in.)

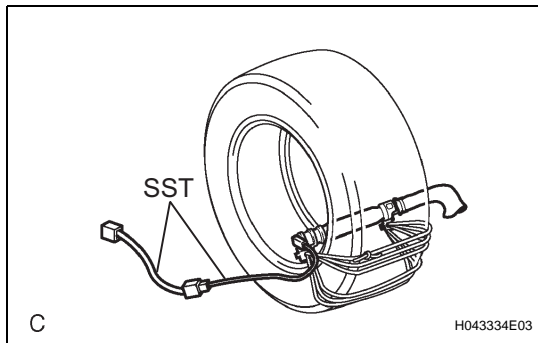
CAUTION:

Make sure that the wire harness is tight. If there is slack in the wire harness, the curtain shield airbag may become loose due to the shock when the airbag is deployed.



NOTICE:

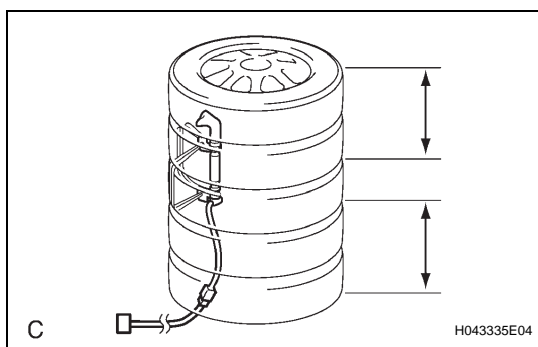
Use a disc wheel (with tire) that you are planning to throw away, as the airbag deployment will damage the disc wheel.



- (e) Install SST.
 - (1) After connecting SST to each other, connect them to the curtain shield airbag.
SST 09082-00802 (09082-10801, 09082-20801)

- (f) Place the tires.

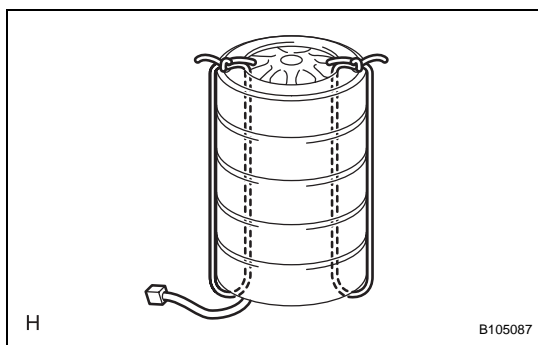
CAUTION:
Do not place the deployment direction of the curtain shield airbag assembly facing toward the ground.



- (1) Place at least 2 tires under the tire to which the curtain shield airbag assembly is tied.
- (2) Place at least 2 tires over the tire to which the curtain shield airbag is tied. The top tire should have the disc wheel installed.

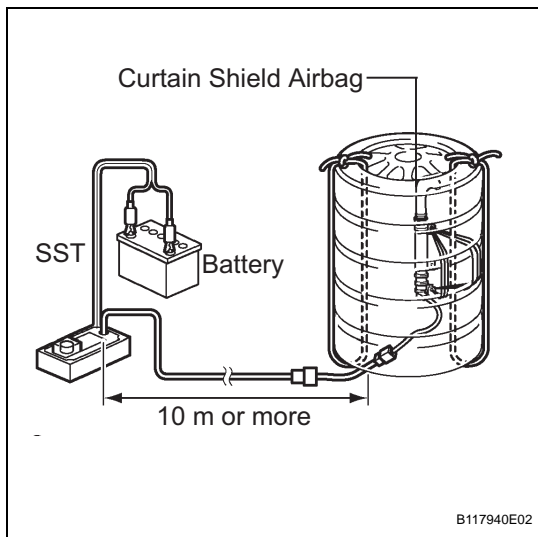
NOTICE:

Do not place the SST connector under the tire because it could be damaged.



- (3) Tie the tires together with 2 wire harnesses.

CAUTION:
Make sure that the wire harnesses are tight. Looseness in the wire harness may result in the tires coming free due to the shock when the airbag is deployed.



- (g) Install SST.
 - (1) Connect the SST connector.
SST 09082-00700
NOTICE:
To avoid damaging the SST connector and wire harness, do not lock the secondary lock of the twin lock. Also, secure some slack for the SST wire harness inside the tire.
- (h) Deploy the airbag.
 - (1) Connect the SST's red clip to the battery positive (+) terminal and the black clip to the battery negative (-) terminal.
 - (2) Check that no one is within a 10 m (33 ft) radius of the tire to which the curtain shield airbag is tied.

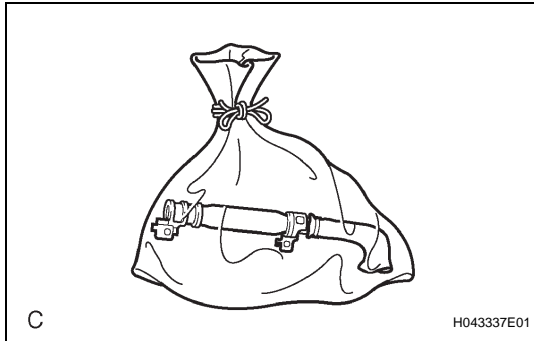
- (3) Press the SST activation switch and deploy the airbag.

CAUTION:

When deploying the airbag, make sure that no one is near the tire.

HINT:

The airbag is deployed as the LED of the SST activation switch comes on.



- (i) Dispose of the curtain shield airbag.

CAUTION:

- **The curtain shield airbag becomes extremely hot when the airbag is deployed, so do not touch it for at least 30 minutes after deployment.**
 - **Use gloves and safety glasses when handling a curtain shield airbag with a deployed airbag.**
 - **Do not apply water to a curtain shield airbag with a deployed airbag.**
 - **Always wash your hands with water after completing the operation.**
- (1) Remove the curtain shield airbag from the tire.
 - (2) Place the curtain shield airbag in a plastic bag, tie it tightly and dispose of it in the same way as other general parts.