

DTC	B1620/21	Driver Side - Side Airbag Sensor Circuit Malfunction
------------	-----------------	---

DESCRIPTION

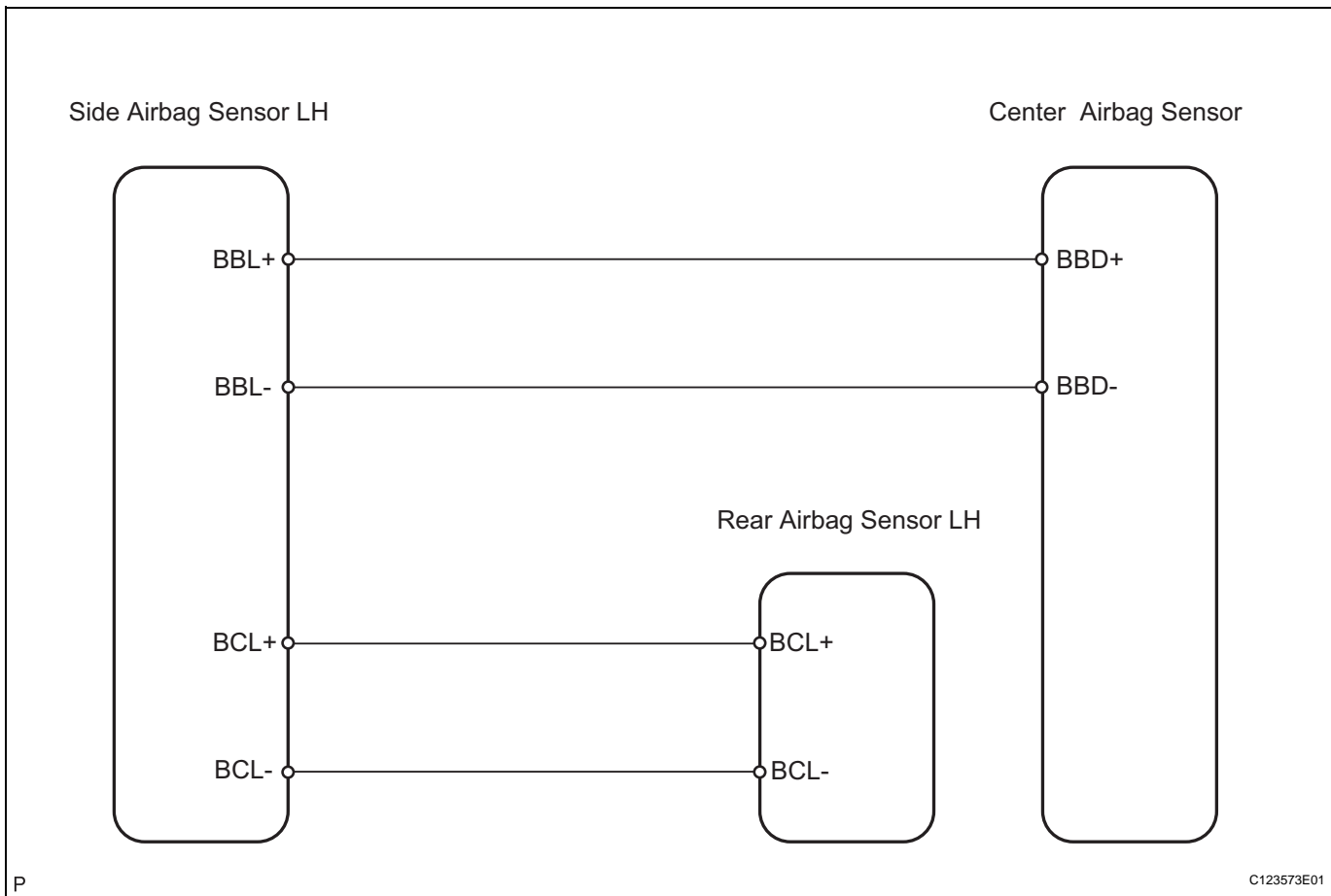
The side airbag sensor LH consists of part including the diagnostic circuit and the lateral deceleration sensor.

When the center airbag sensor receives signals from the lateral deceleration sensor, it determines whether or not the SRS should be activated.

DTC B1620/21 is set when a malfunction is detected in the side airbag sensor LH circuit.

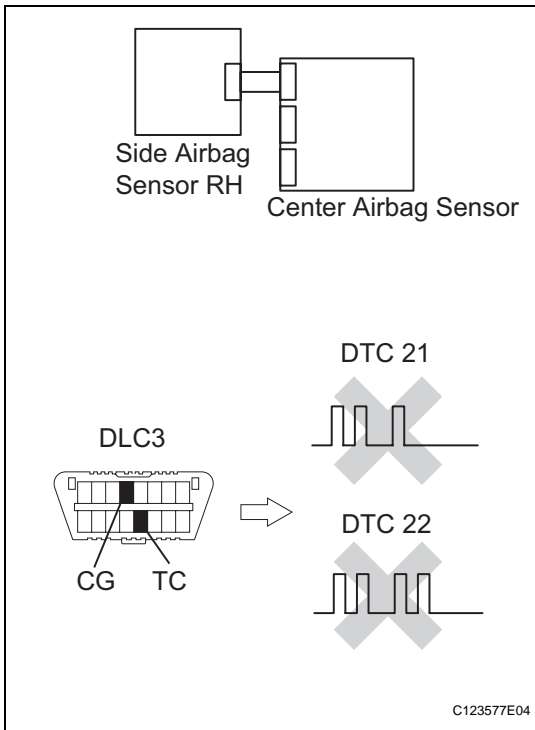
DTC No.	DTC Detection Condition	Trouble Area
B1620/21	When one of following conditions is met: <ul style="list-style-type: none"> • Side airbag sensor LH malfunction • Center airbag sensor malfunction 	<ul style="list-style-type: none"> • Side airbag sensor LH • Center airbag sensor

WIRING DIAGRAM



INSPECTION PROCEDURE

1 CHECK SIDE AIRBAG SENSOR LH



- (a) Turn the ignition switch OFF.
- (b) Disconnect the cable from the negative (-) battery terminal, and wait for at least 90 seconds.
- (c) Interchange the side airbag sensor RH and the side airbag sensor LH, and connect the connectors to them.
- (d) Connect the cable to the negative (-) battery terminal, and wait for at least 2 seconds.
- (e) Turn the ignition switch ON, and wait for at least 60 seconds.
- (f) Clear the DTCs (see page RS-49).
- (g) Turn the ignition switch OFF.
- (h) Turn the ignition switch ON, and wait for at least 60 seconds.
- (i) Check the DTCs (see page RS-49).

Result

Result	Proceed to
DTC B1620/21 and B1625/22 are not output.	A
DTC B1620/21 is output.	B
DTC B1625/22 is output.	C

DTCs other than DTC B1620/21 and B1625/22 may be output at this time, but they are not related to this check.

B → **REPLACE CENTER AIRBAG SENSOR ASSEMBLY**

C → **REPLACE SIDE AIRBAG SENSOR LH**

A

USE SIMULATION METHOD TO CHECK