

DTC	B2341	Sensor (Motor) Failure
DTC	B2344	Position Failure

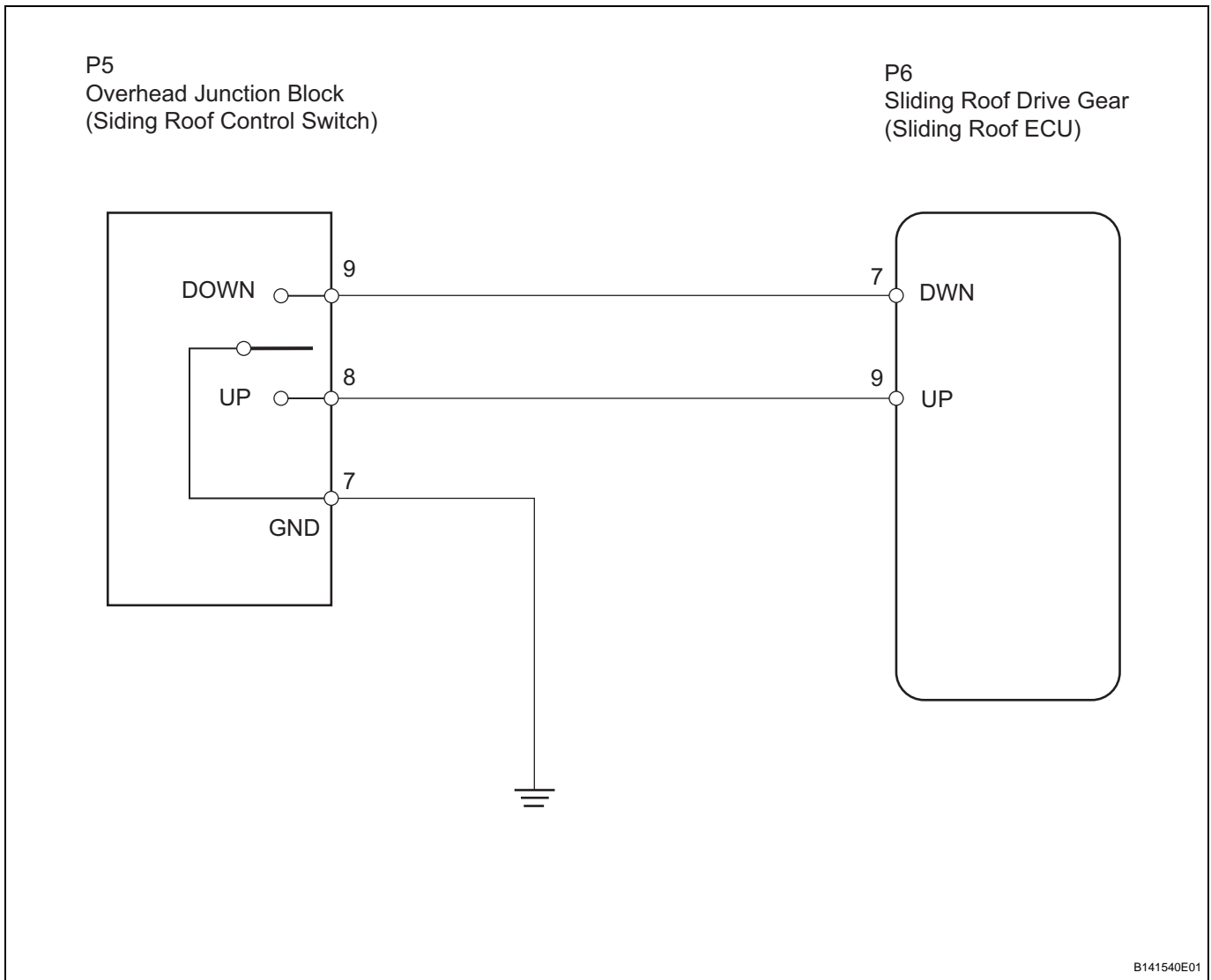
DESCRIPTION

When the sliding roof drive gear (sliding roof ECU) detects the motor's malfunction, and the sliding roof operation is stopped, DTC B2341 is output. When the sliding roof drive gear (sliding roof ECU) detects the gear's malfunction, and the sliding roof operation is stopped, DTC B2344 is output.

DTC No.	DTC Detection Condition	Trouble Area
B2341	Sensor (motor) Failure	<ul style="list-style-type: none"> Sliding roof drive gear sub-assembly (sliding roof ECU) Overhead junction block (sliding roof control switch) Wire harness
B2344	Position Failure	<ul style="list-style-type: none"> Sliding roof drive gear sub-assembly (sliding roof ECU) Overhead junction block (sliding roof control switch) Wire harness

RF

WIRING DIAGRAM



INSPECTION PROCEDURE

1 CHECK SLIDING ROOF FUNCTION

- (a) Check the auto operation with the SLIDE OPEN and TILT UP switch (see page [RF-9](#)).

OK:

Auto operation operates normally with SLIDE OPEN and TILT UP switch.

NG →

Go to step 3

OK

RF

2 DELETE DTC

- (a) Delete the DTC (see page [RF-7](#)).

NEXT

END

3 INITIALIZE SLIDING ROOF DRIVE GEAR SUB-ASSEMBLY (SLIDING ROOF ECU)

- (a) Check that the sliding roof drive gear can be initialized (see page [RF-4](#)).

OK:

Sliding roof drive gear can be initialized.

NG →

Go to step 6

OK

4 CHECK SLIDING ROOF FUNCTION

- (a) Check the auto operation with the SLIDE OPEN and TILT UP switch (see page [RF-9](#)).

OK:

Auto operation operates normally with SLIDE OPEN and TILT UP switch.

NG →

REPLACE SLIDING ROOF DRIVE GEAR SUB-ASSEMBLY (SLIDING ROOF ECU)

OK

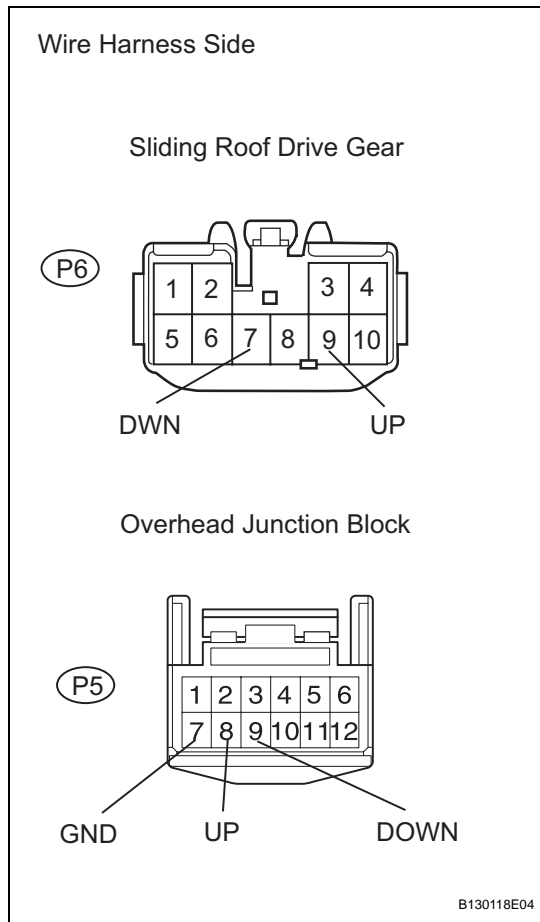
5 DELETE DTC

- (a) Delete the DTC (see page [RF-7](#)).

NEXT

END

6 CHECK WIRE HARNESS (SLIDING ROOF DRIVE GEAR - OVERHEAD JUNCTION BLOCK)



- (a) Disconnect the P6 ECU connector.
- (b) Disconnect the P5 junction block connector.
- (c) Measure the resistance of the wire harness side connectors.

Standard resistance

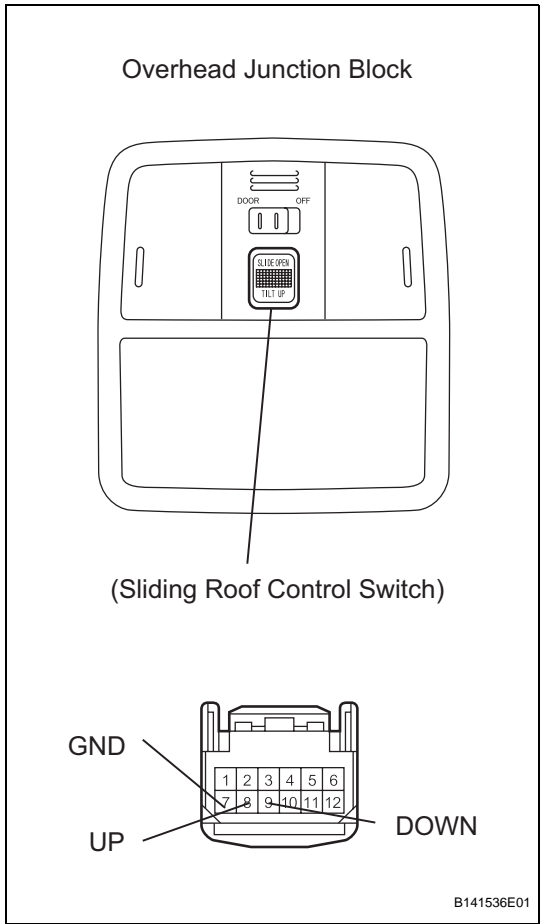
Tester Connection	Specified Condition
P6-7 (DWN) - P5-9 (DOWN)	Below 1 Ω
P6-9 (UP) - P5-8 (UP)	Below 1 Ω
P6-7 (GND) - body ground	Below 1 Ω
P6-7 (DWN) - Body ground	10 kΩ or higher
P6-9 (UP) - body ground	10 kΩ or higher

NG REPAIR OR REPLACE HARNESS AND CONNECTOR

OK

RF

7 INSPECT OVERHEAD JUNCTION BLOCK (SLIDING ROOF CONTROL SWITCH)



- (a) Remove the overhead junction block.
- (b) Measure the resistance of the switch.

Standard resistance

Tester Connection	Condition	Specified Condition
8 (UP) - 7 (GND)	TILT UP switch pushed	Below 1 Ω
8 (UP) - 7 (GND)	TILT UP switch not pushed	10 kΩ or higher
9 (DOWN) - 7 (GND)	SLIDE OPEN switch pushed	Below 1 Ω
9 (DOWN) - 7 (GND)	SLIDE OPEN switch not pushed	10 kΩ or higher

NG → **REPLACE OVERHEAD JUNCTION BLOCK (SLIDING ROOF CONTROL SWITCH)**

OK

REPLACE SLIDING ROOF DRIVE GEAR SUB-ASSEMBLY (SLIDING ROOF ECU)

RF