

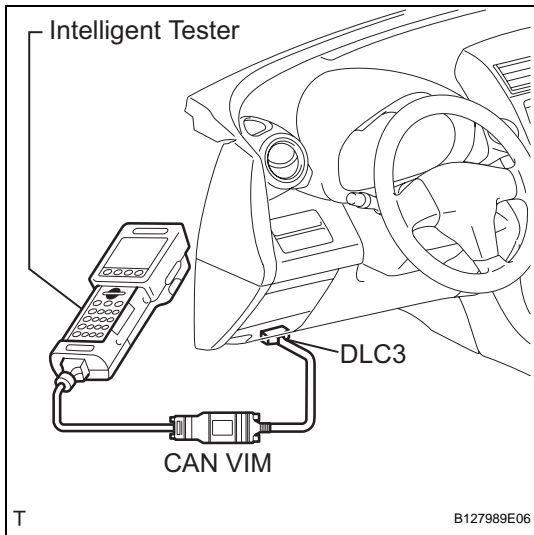
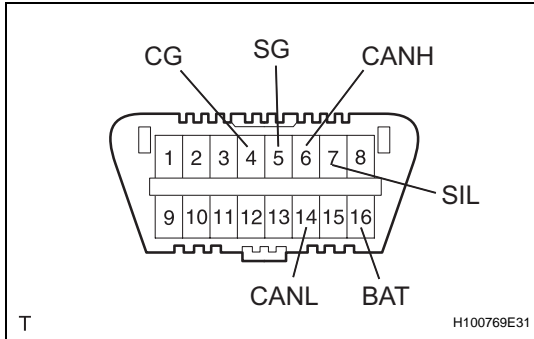
## DIAGNOSIS SYSTEM

### 1. DESCRIPTION

- (a) Sliding roof system data and Diagnostic Trouble Codes (DTCs) can be read through the vehicle's Data Link Connector 3 (DLC3). When the system seems to be malfunctioning, use the intelligent tester to check for malfunctions and perform repairs.

### 2. CHECK DLC3

The vehicle uses the ISO 15765-4 for communication protocol. The terminal arrangement of the DLC3 complies with ISO 15031-03 and matches the ISO 15765-4 format.



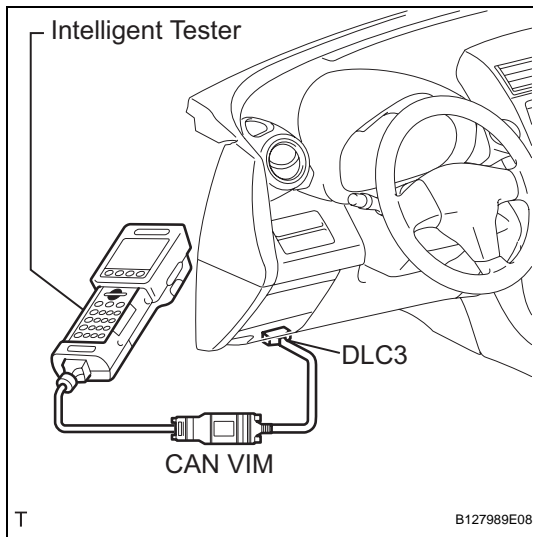
#### HINT:

Connect the cable of the intelligent tester to the DLC3, turn the ignition switch on and attempt to use the tester. If the display indicates that a communication error has occurred, there is a problem either with the vehicle or with the tester.

- If communication is normal when the tester is connected to another vehicle, inspect the DLC3 of the original vehicle.
- If communication is still not possible when the tester is connected to another vehicle, the problem may be in the tester itself. Consult the Service Department listed in the tester's instruction manual.

Symbols (Terminal No.)	Terminal Description	Condition	Specified Condition
SIL (7) - SG (5)	Bus "+" line	During transmission	Pulse generation
CG (4) - Body ground	Chassis ground	Always	Below 1 $\Omega$
SG (5) - Body ground	Signal ground	Always	Below 1 $\Omega$
BAT (16) - Body ground	Battery positive	Always	11 to 14 V
CANH (6) - CANL (14)	HIGH-level CAN bus line	Ignition switch OFF	54 to 69 $\Omega$
CANH (6) - Body ground	HIGH-level CAN bus line	Ignition switch OFF	1 M $\Omega$ or higher
CANH (6) - CG (4)	HIGH-level CAN bus line	Ignition switch OFF	1 M $\Omega$ or higher
CANL (14) - Body ground	LOW-level CAN bus line	Ignition switch OFF	1 M $\Omega$ or higher
CANL (14) - CG (4)	LOW-level CAN bus line	Ignition switch OFF	1 M $\Omega$ or higher

If the result is not as specified, the DLC3 may have a malfunction. Repair or replace the harness and connector.



## DTC CHECK / CLEAR

### 1. CHECK DTC

- Connect the intelligent tester to the DLC3.
- Turn the ignition switch ON and turn the tester ON.
- Select the following menu item: Body / Sliding Roof / DTC.
- Check the DTC(s).

### 2. CLEAR DTC

- Connect the intelligent tester to the DLC3.
- Turn the ignition switch ON and turn the tester ON.
- Select the following menu item: Body / Sliding Roof / DTC / Clear.
- Press the YES button.
- Check that the DTCs are cleared.