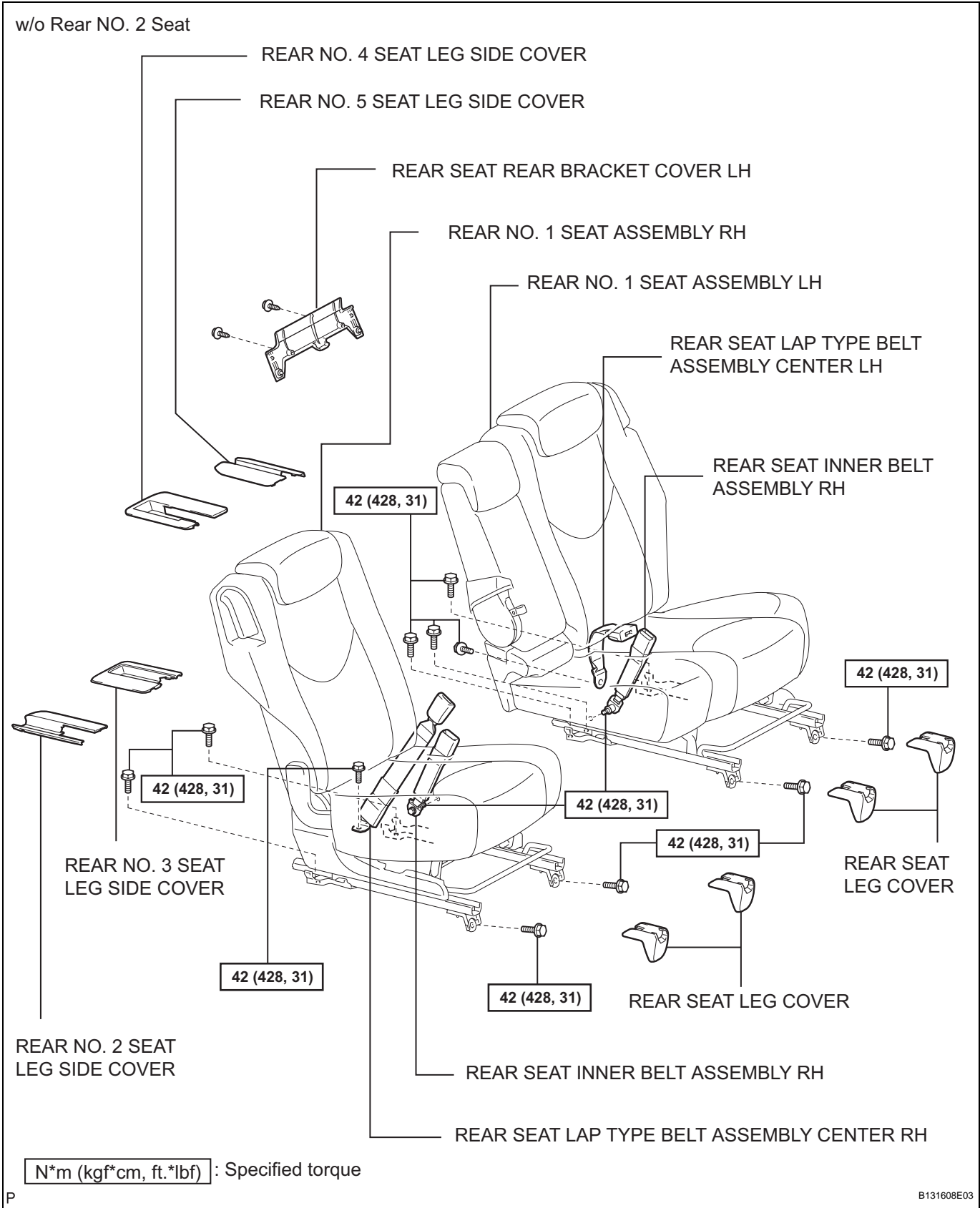
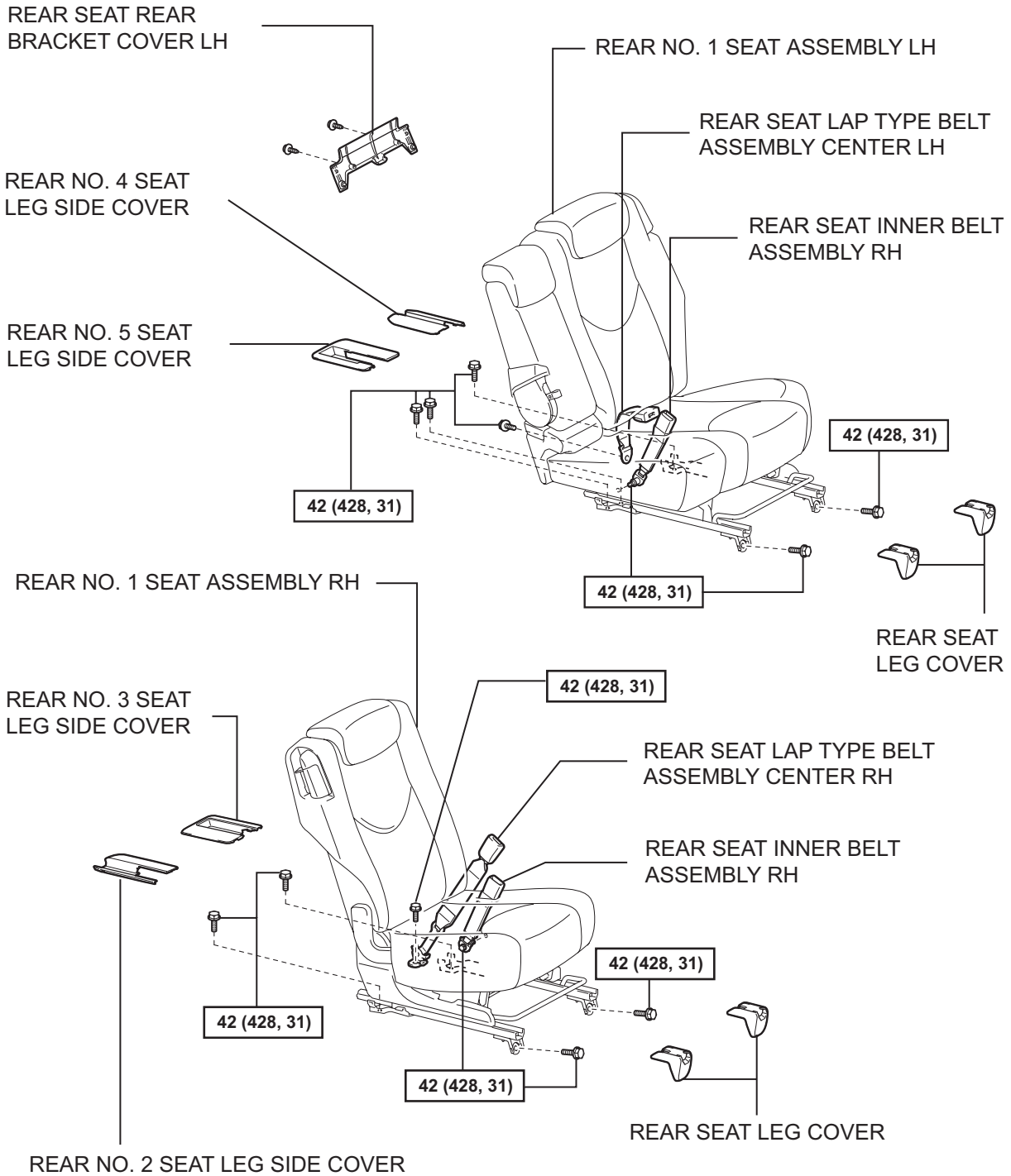


REAR SEAT INNER BELT ASSEMBLY

COMPONENTS



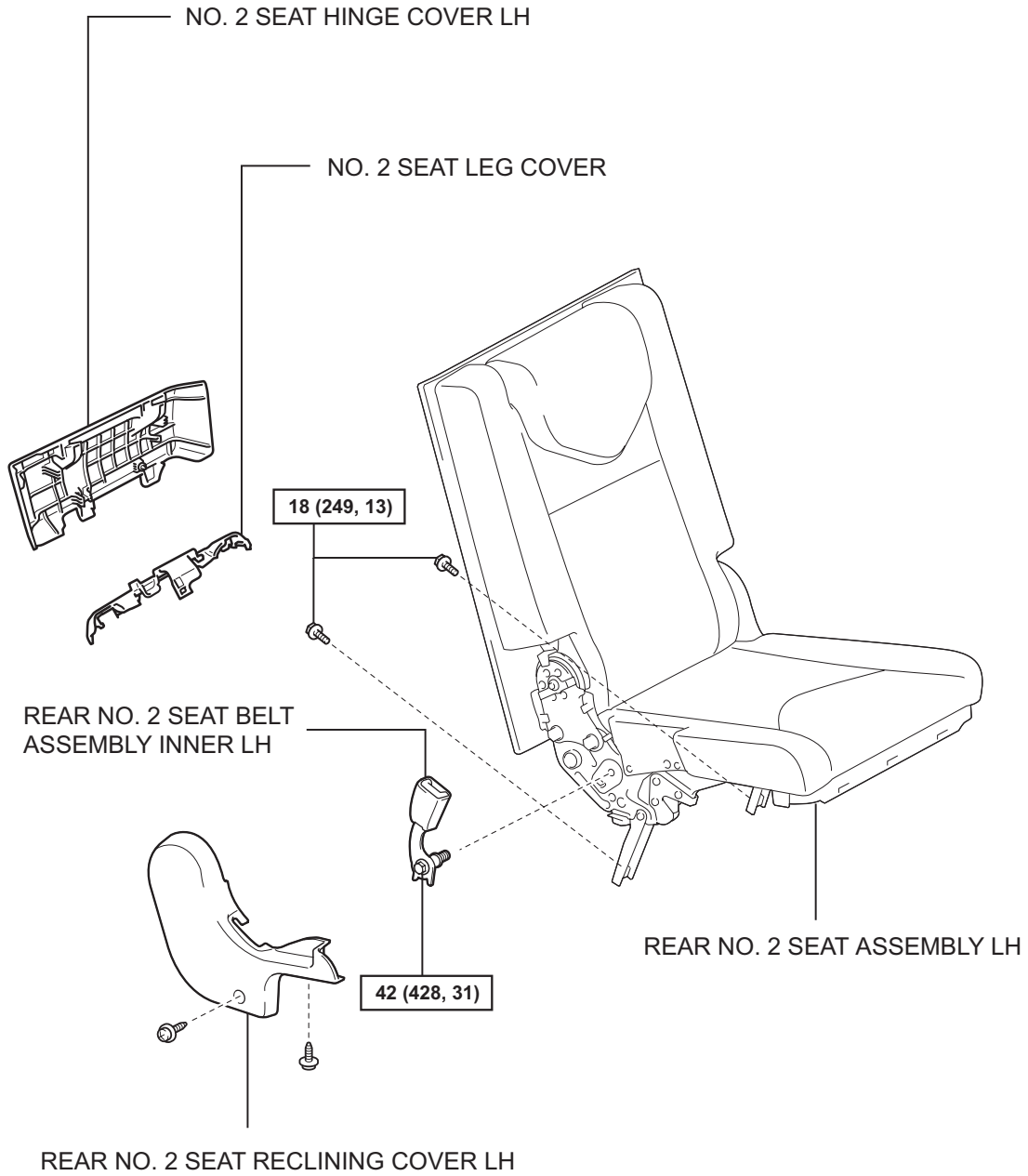
w/ Rear NO. 2 Seat



$N \cdot m$ (kgf*cm, ft.*lbf) : Specified torque

SB

w/ Rear No. 2 Seat



SB

N*m (kgf*cm, ft.*lbf) : Specified torque