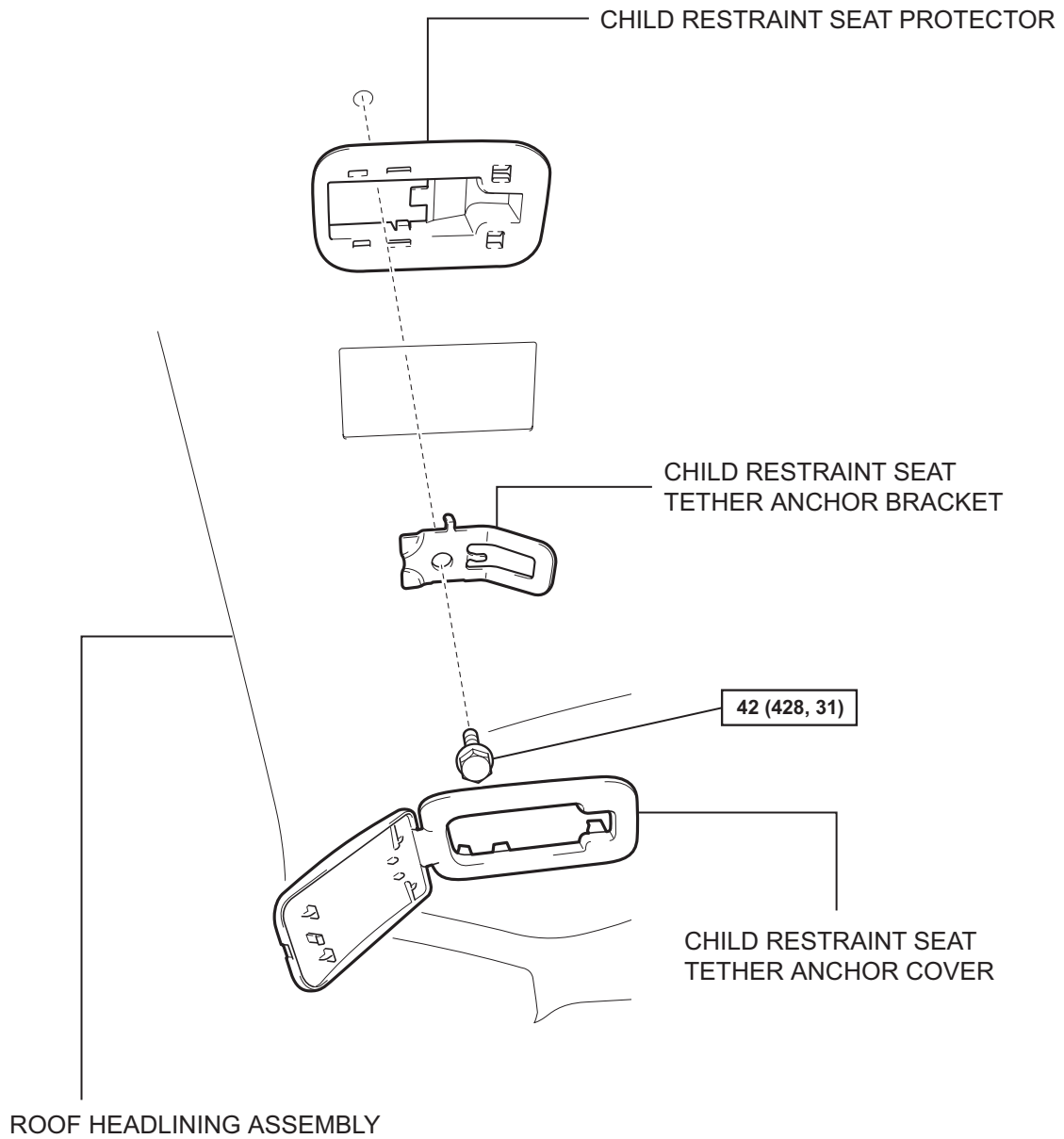


CHILD RESTRAINT SEAT TETHER ANCHOR

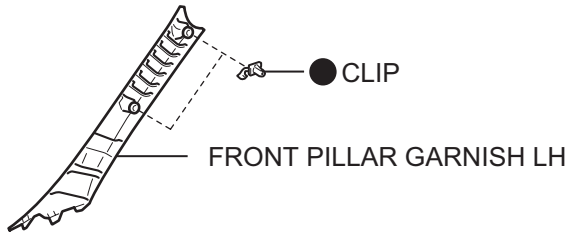
COMPONENTS



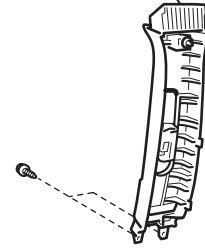
SB

N^*m (kgf*cm, ft.*lbf) : Specified torque

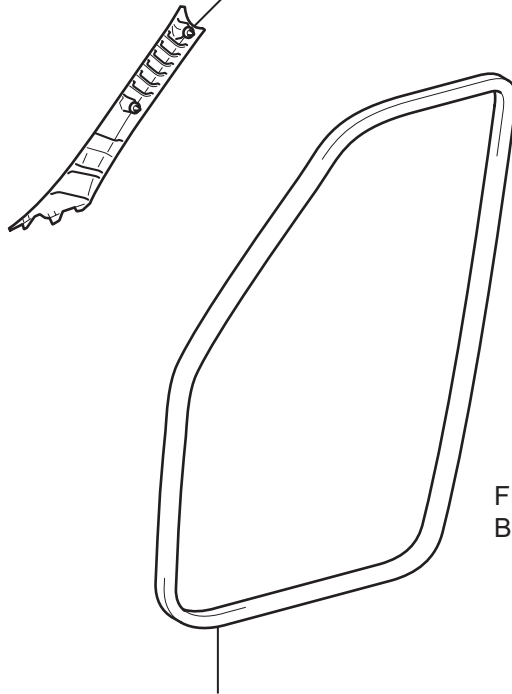
w/ Curtain Shield Airbag



CENTER PILLAR GARNISH LH



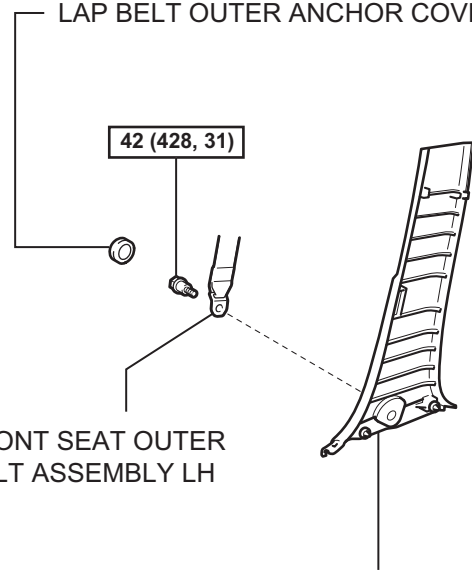
FRONT PILLAR GARNISH LH



LAP BELT OUTER ANCHOR COVER

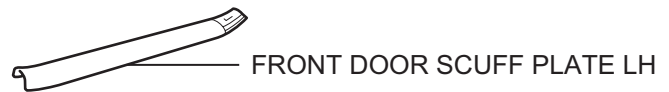
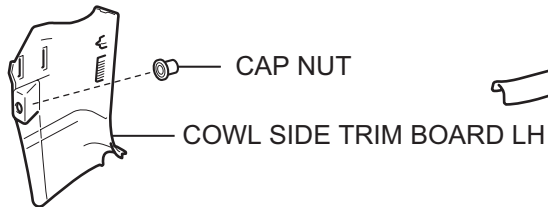
42 (428, 31)

FRONT SEAT OUTER BELT ASSEMBLY LH



LOWER CENTER PILLAR GARNISH LH

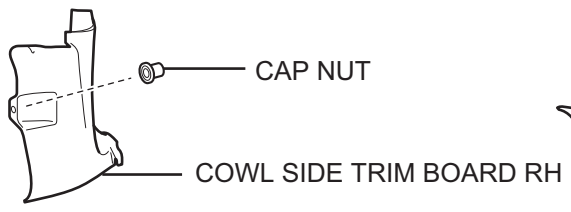
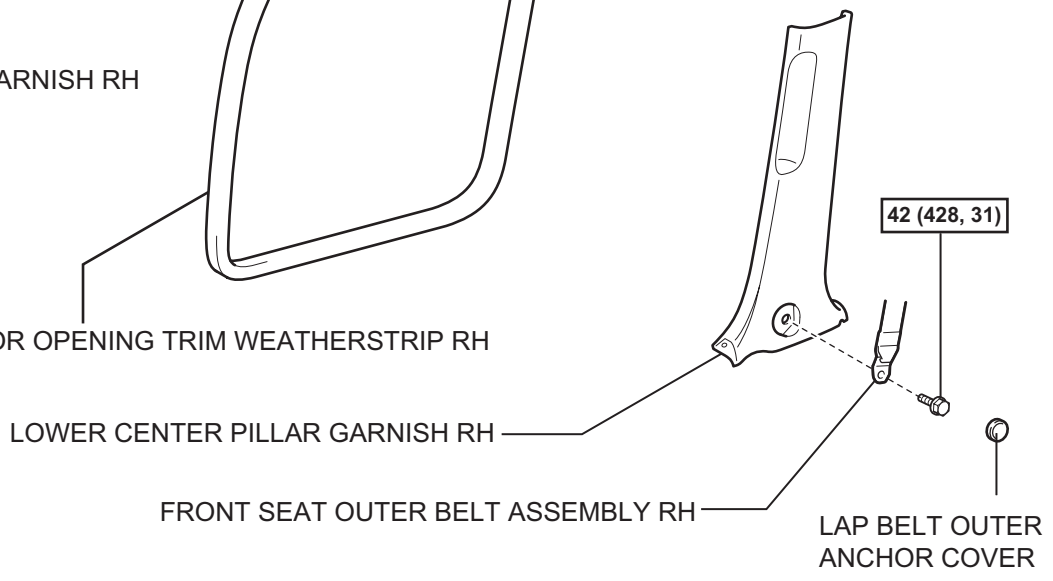
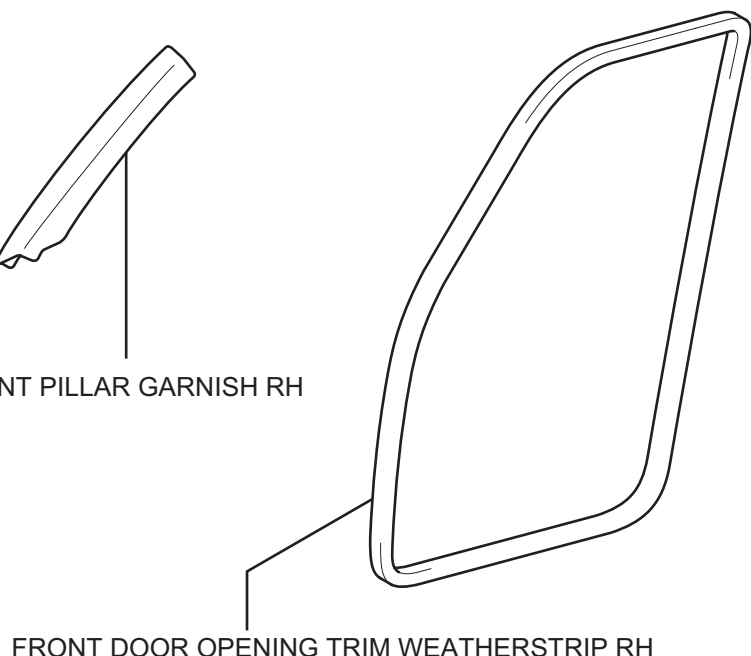
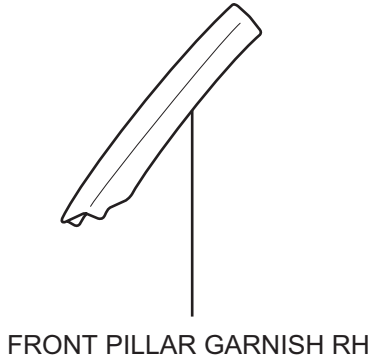
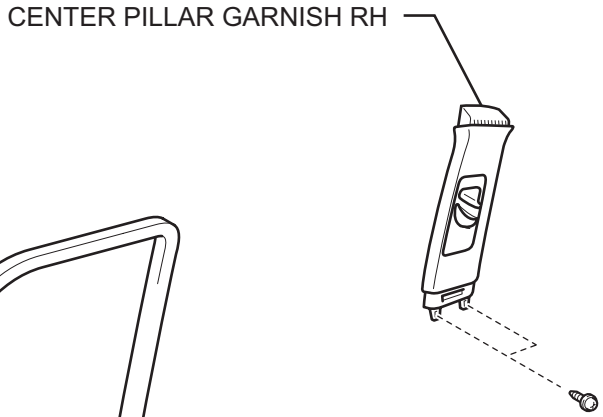
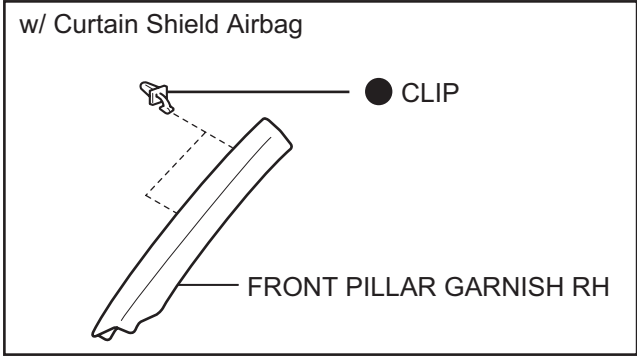
FRONT DOOR OPENING TRIM WEATHERSTRIP LH



$N \cdot m$ (kgf \cdot cm, ft. \cdot lbf) : Specified torque

● Non-reusable part

SB

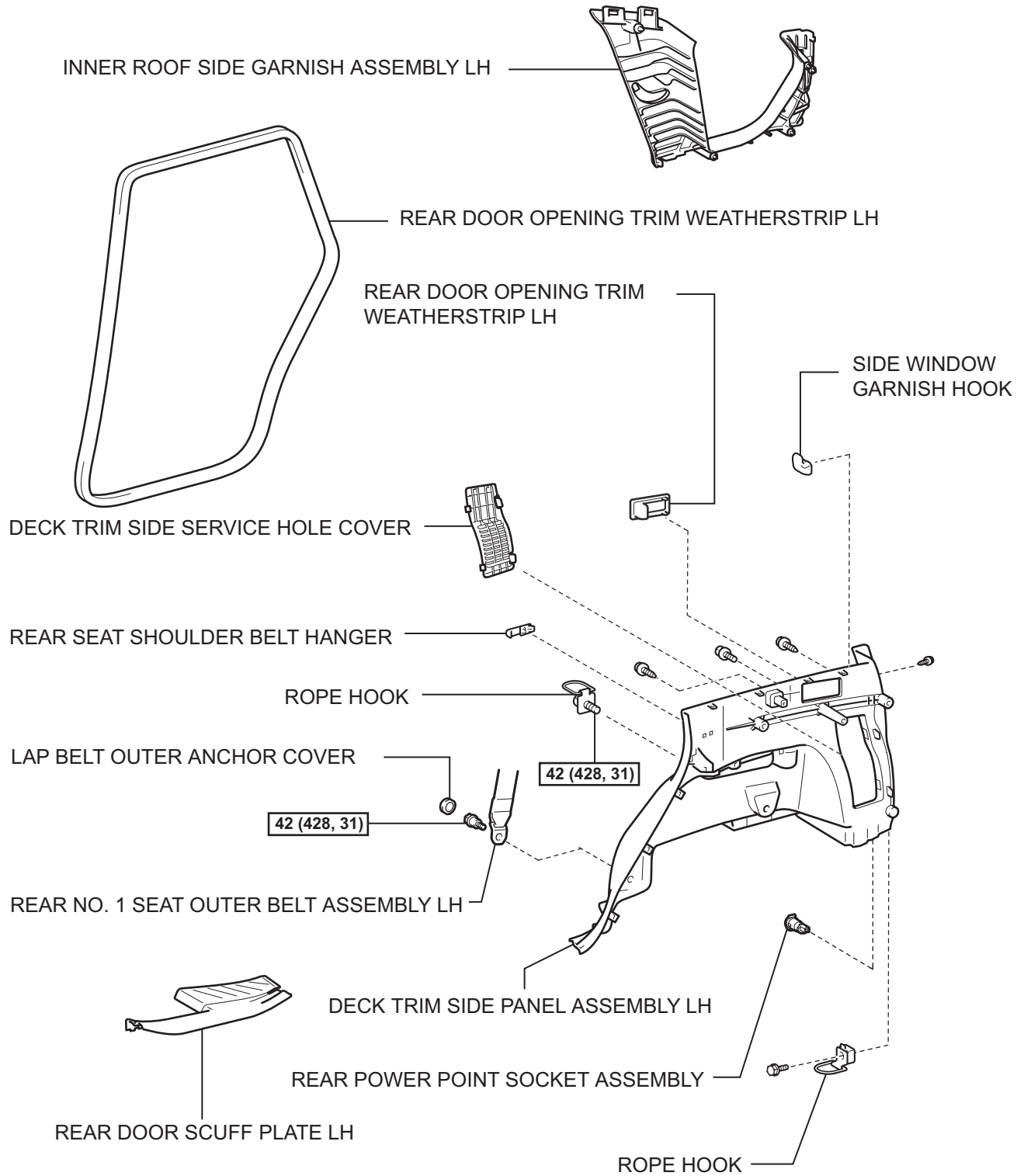


N*m (kgf*cm, ft.*lbf) : Specified torque

● Non-reusable part

SB

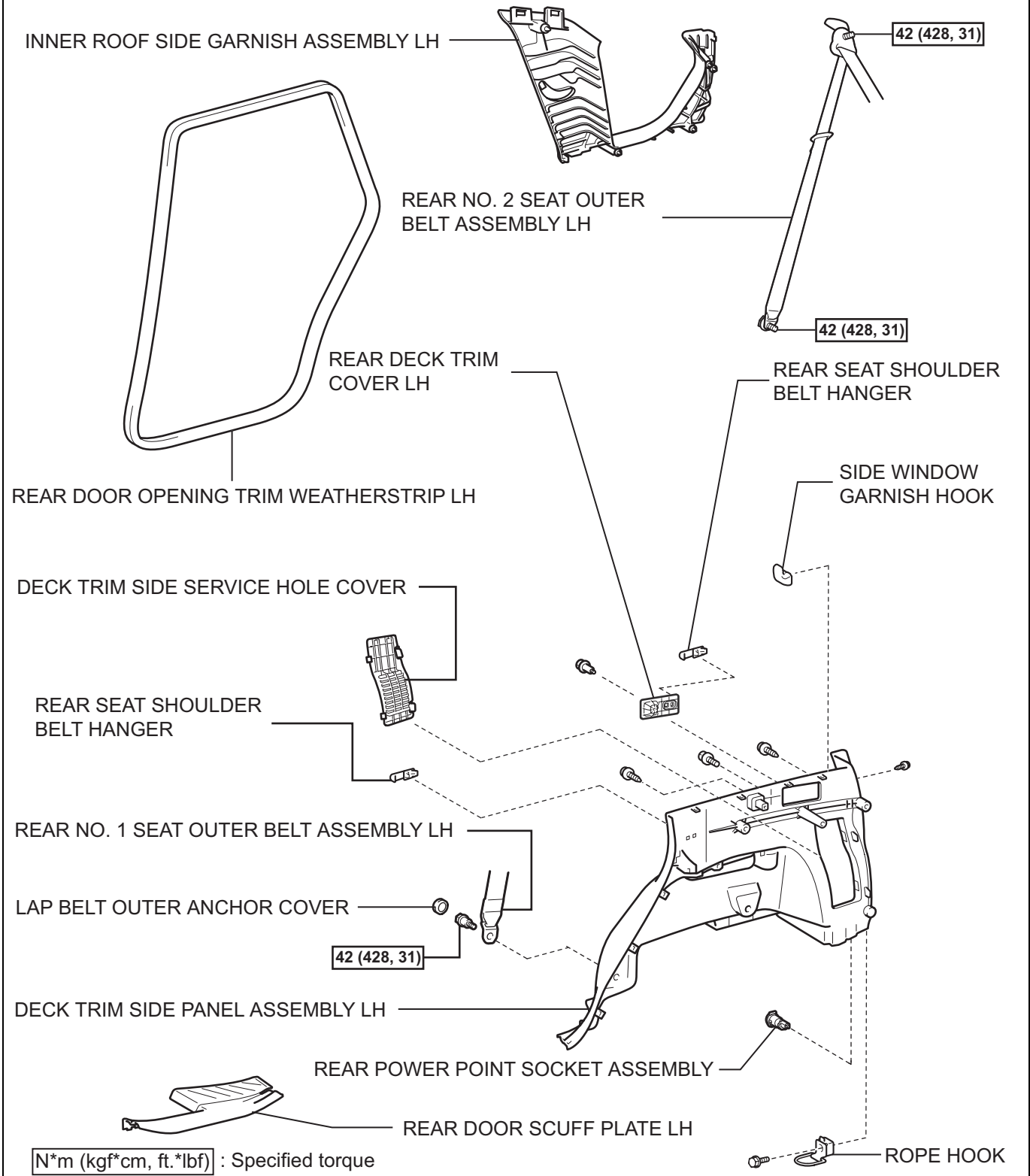
w/o Rear No. 2 Seat



$\boxed{N \cdot m \text{ (kgf} \cdot \text{cm, ft.} \cdot \text{lbf)}}$: Specified torque

SB

w/ Rear No. 2 Seat

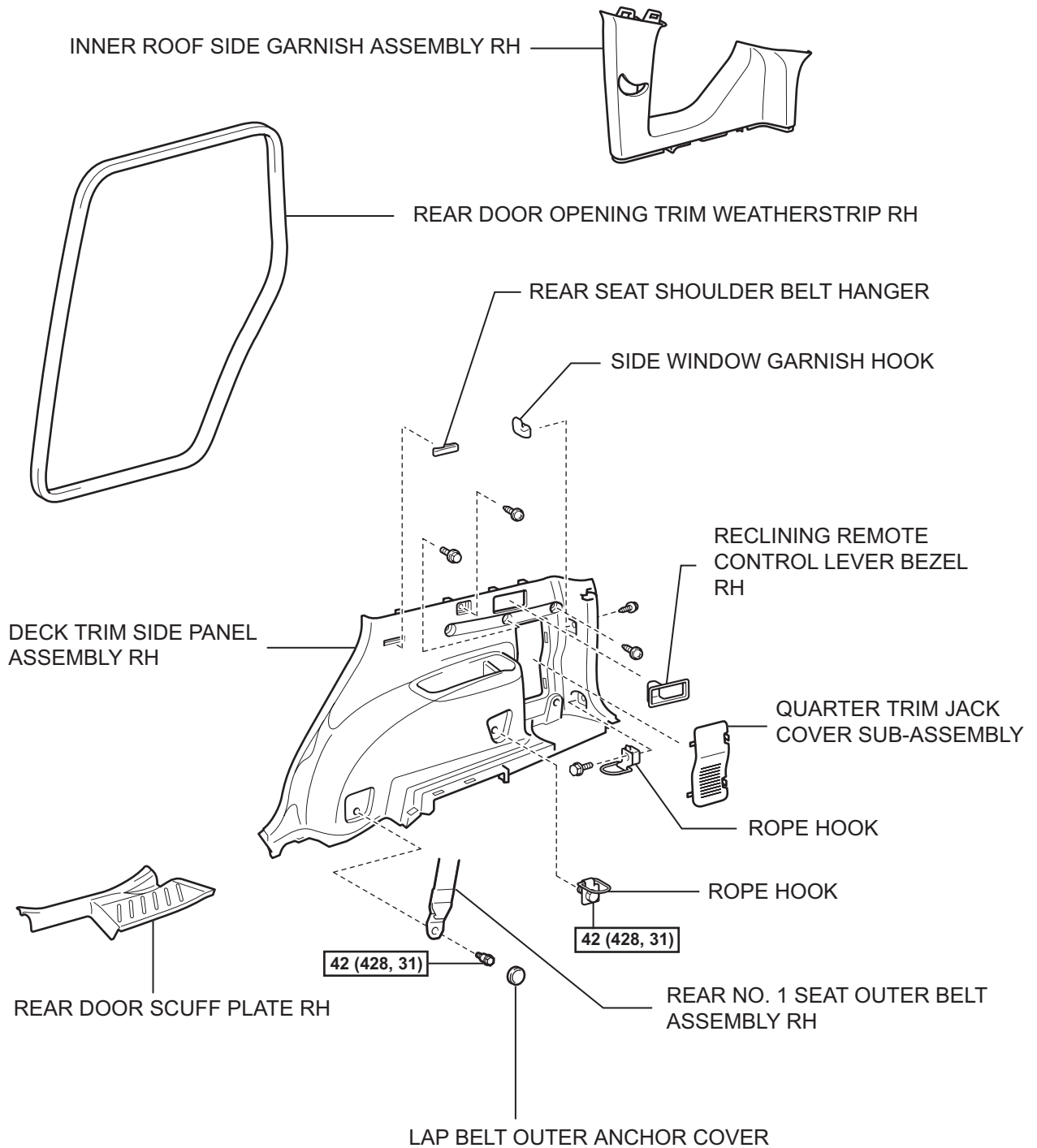


N*m (kgf*cm, ft.*lbf) : Specified torque

SB

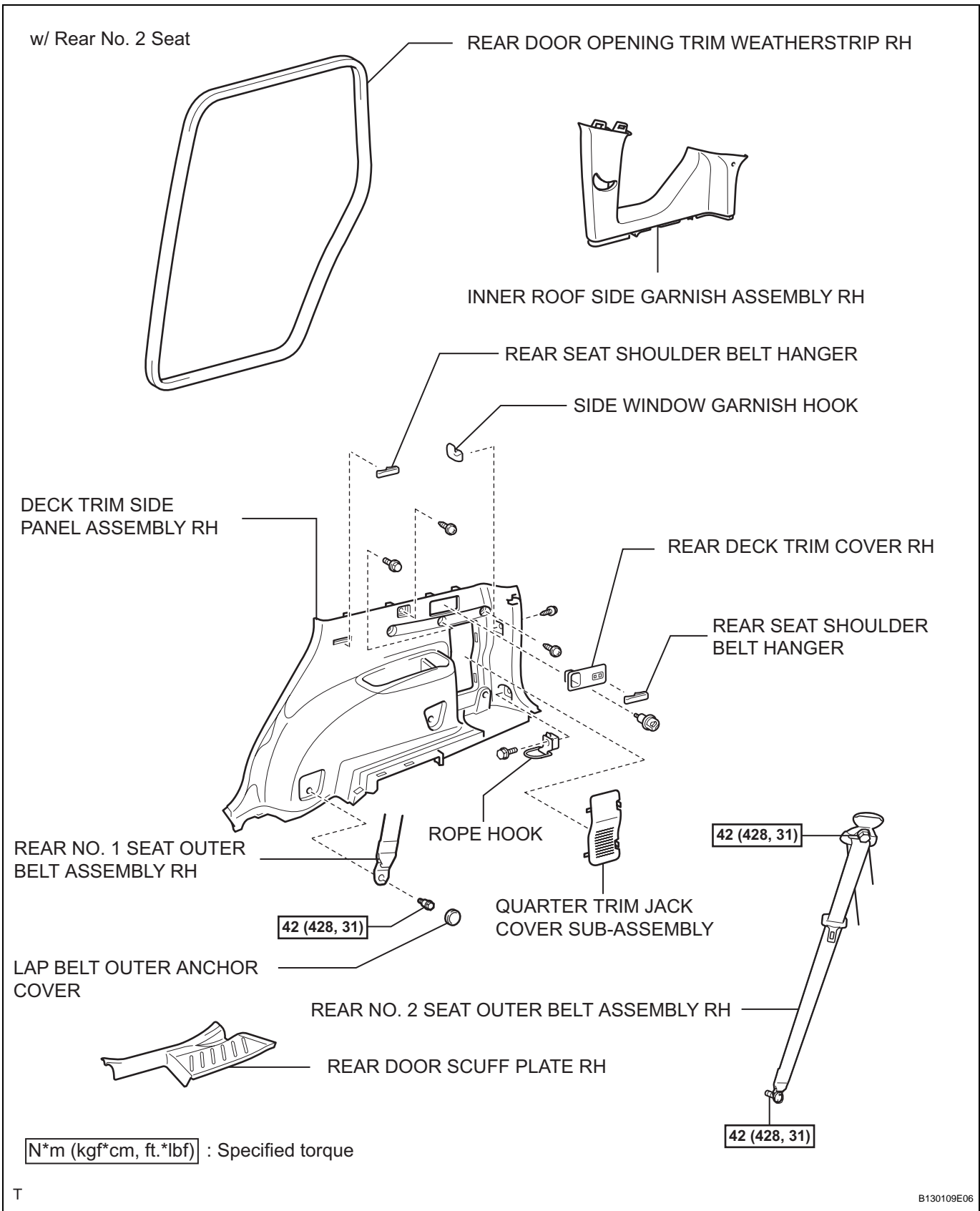
T

w/o Rear No. 2 Seat



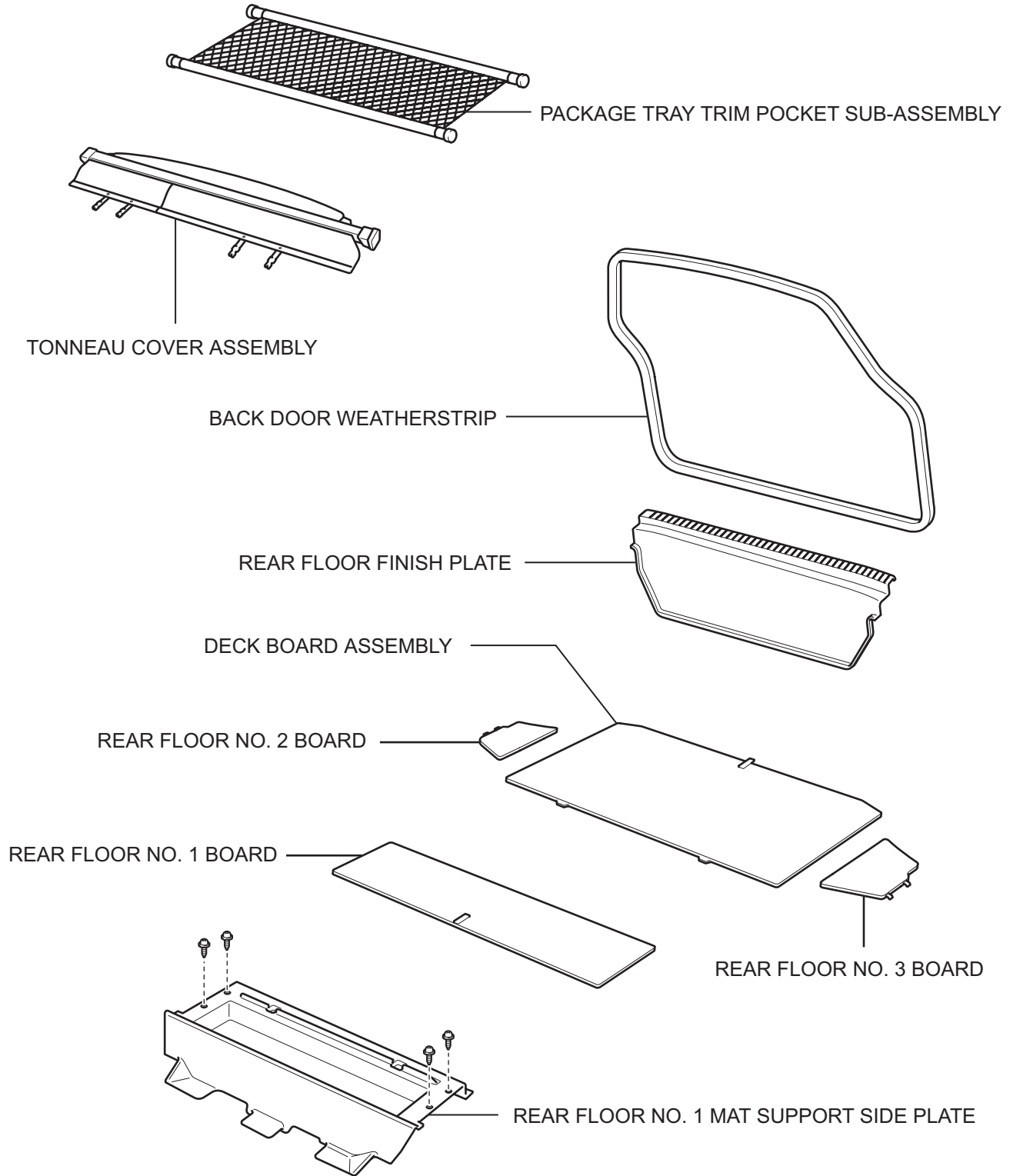
42 (428, 31) : Specified torque

T



SB

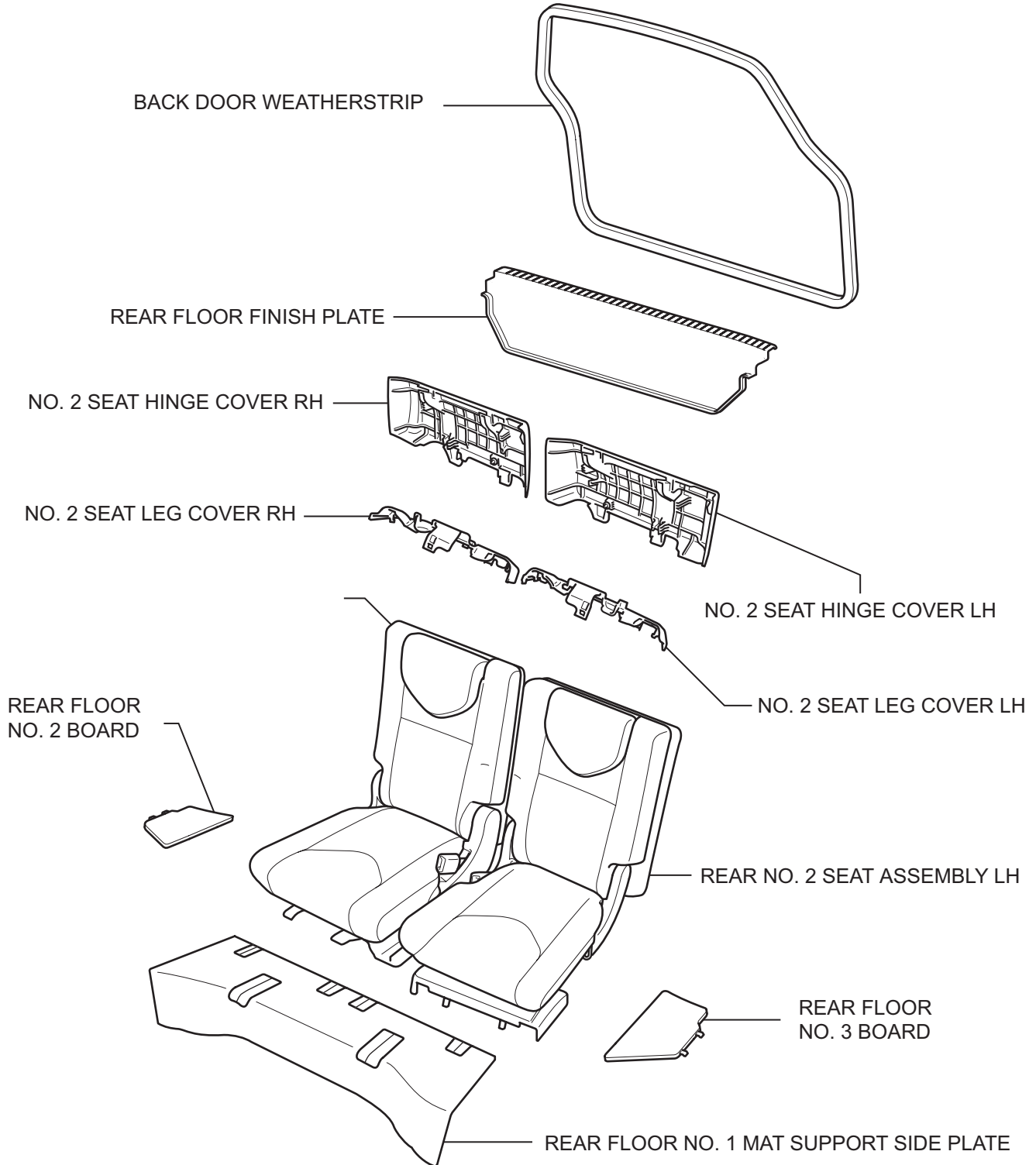
w/o Rear No. 2 Seat



SB

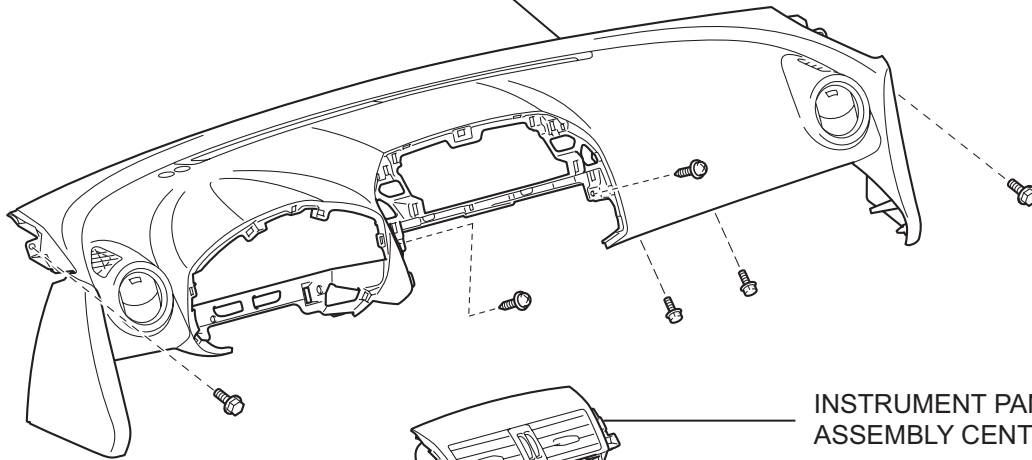
T

w/ Rear No. 2 Seat



SB

INSTRUMENT PANEL SUB-ASSEMBLY

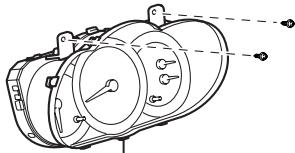


INSTRUMENT PANEL REGISTER ASSEMBLY CENTER

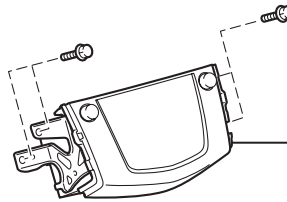
NO. 2 INSTRUMENT CLUSTER FINISH PANEL CENTER



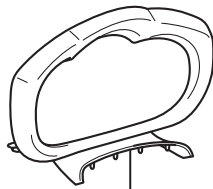
NO. 1 INSTRUMENT CLUSTER FINISH PANEL CENTER



COMBINATION METER ASSEMBLY

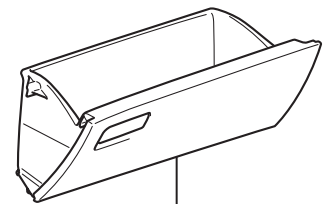


RADIO RECEIVER



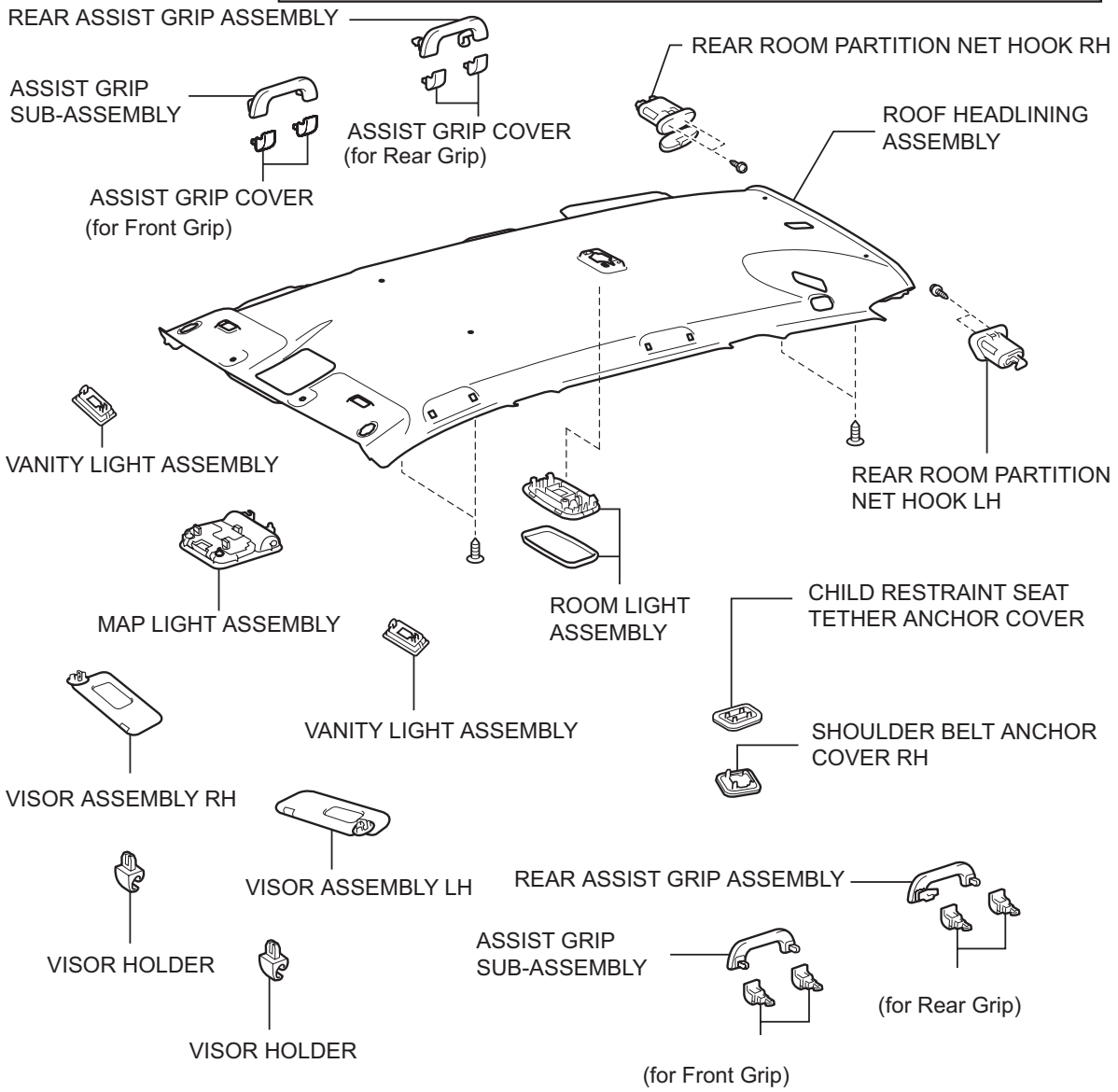
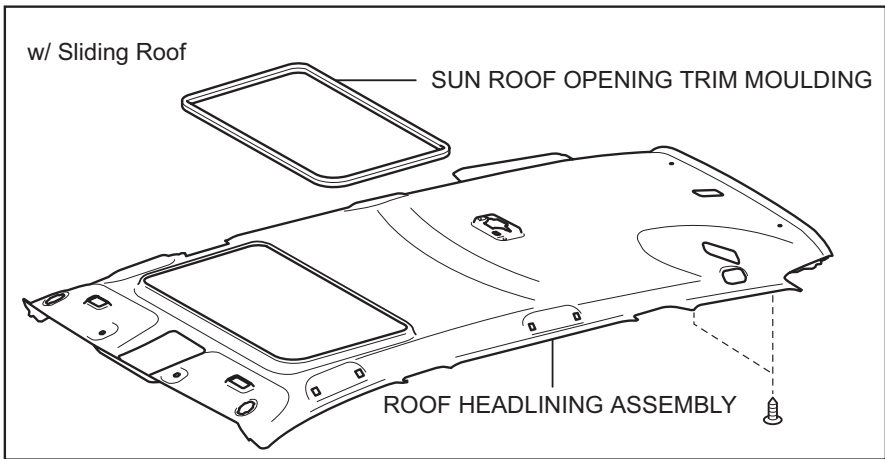
INSTRUMENT CLUSTER FINISH PANEL ASSEMBLY

GLOVE COMPARTMENT DOORSTOPPER SUB-ASSEMBLY

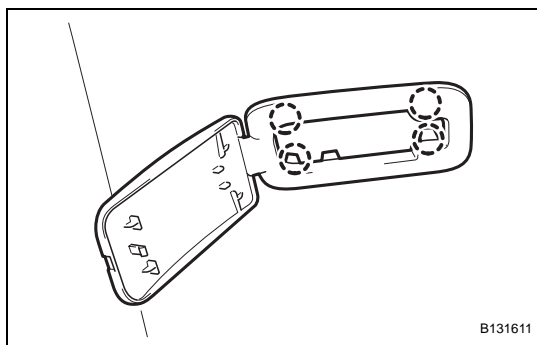


GLOVE COMPARTMENT DOOR ASSEMBLY

SB



SB



REMOVAL

1. REMOVE CHILD RESTRAINT SEAT TETHER ANCHOR COVER

- (a) Using a screwdriver, detach the 4 claws and remove the cover.

HINT:

Tape the screwdriver tip before use.

2. REMOVE ROOF HEADLINING ASSEMBLY

HINT:

It is not necessary to completely remove the roof headlining. Slightly lower the rear section of the roof headlining.

- (a) Partially remove the roof headlining (see page [IR-26](#)).

3. REMOVE CHILD RESTRAINT SEAT TETHER ANCHOR BRACKET

- (a) Remove the bolt and bracket.

4. REMOVE CHILD RESTRAINT SEAT PROTECTOR

