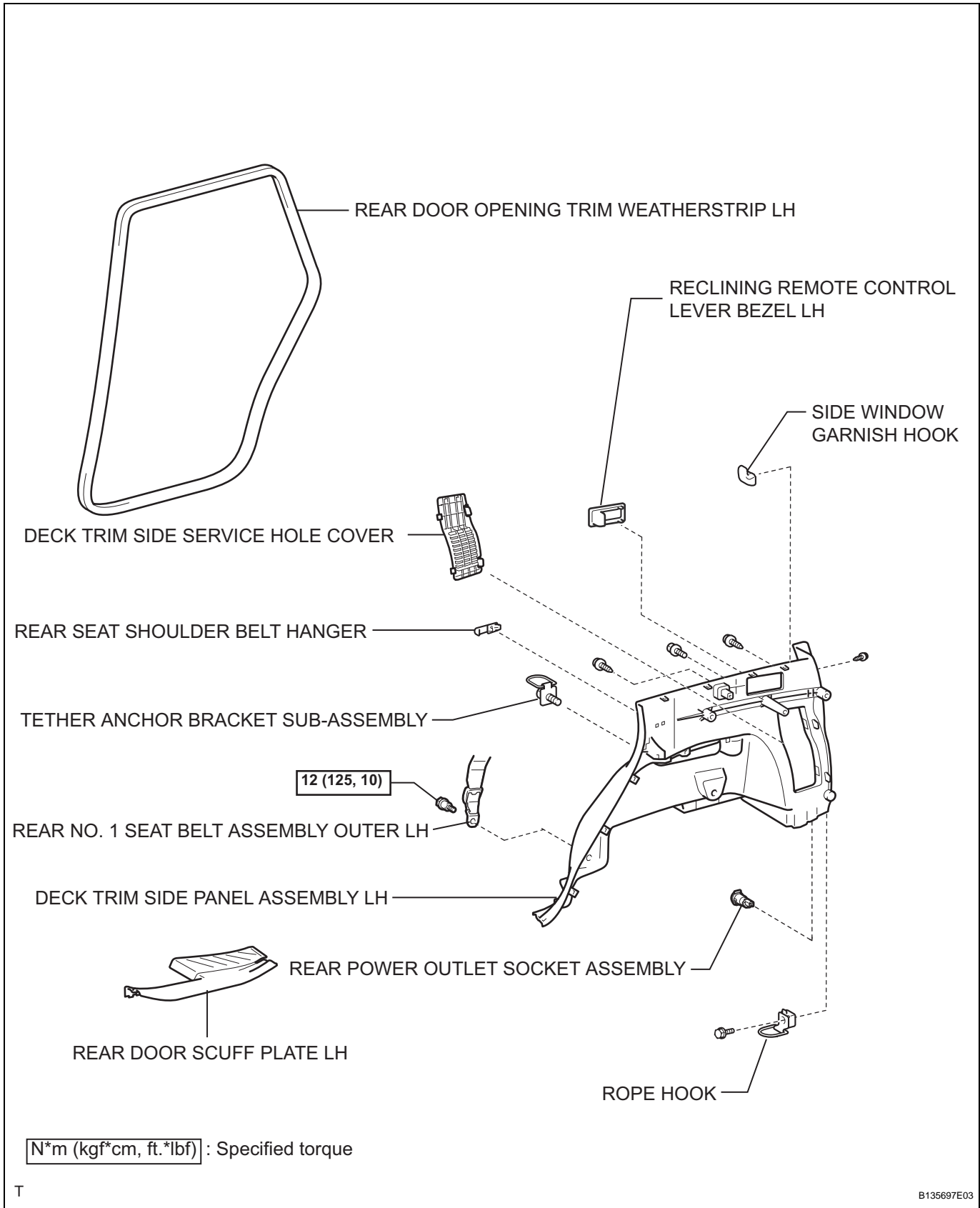
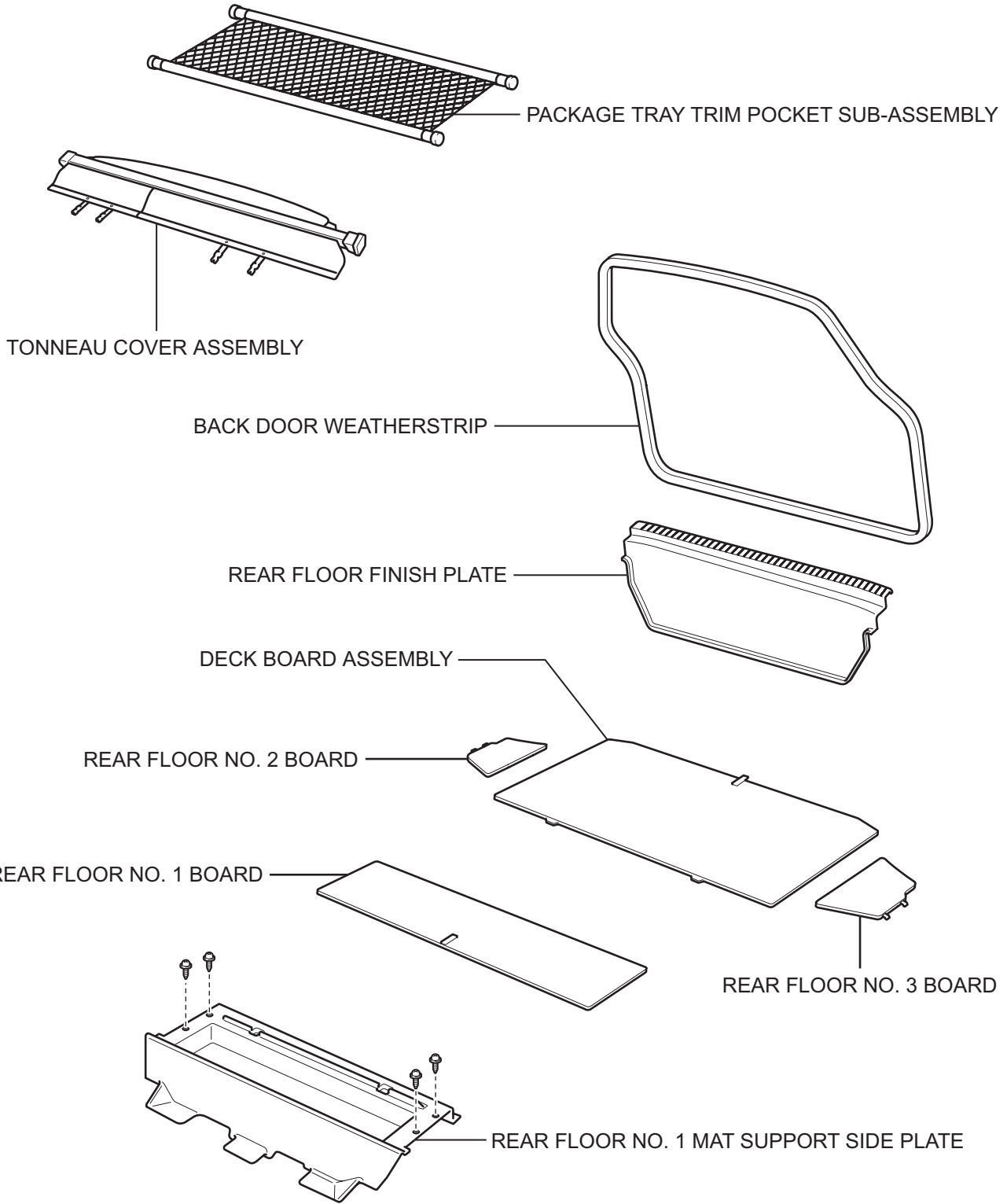


REAR POWER OUTLET SOCKET

COMPONENTS



[N*m (kgf*cm, ft.*lbf)]: Specified torque



T

B130111E21

OT