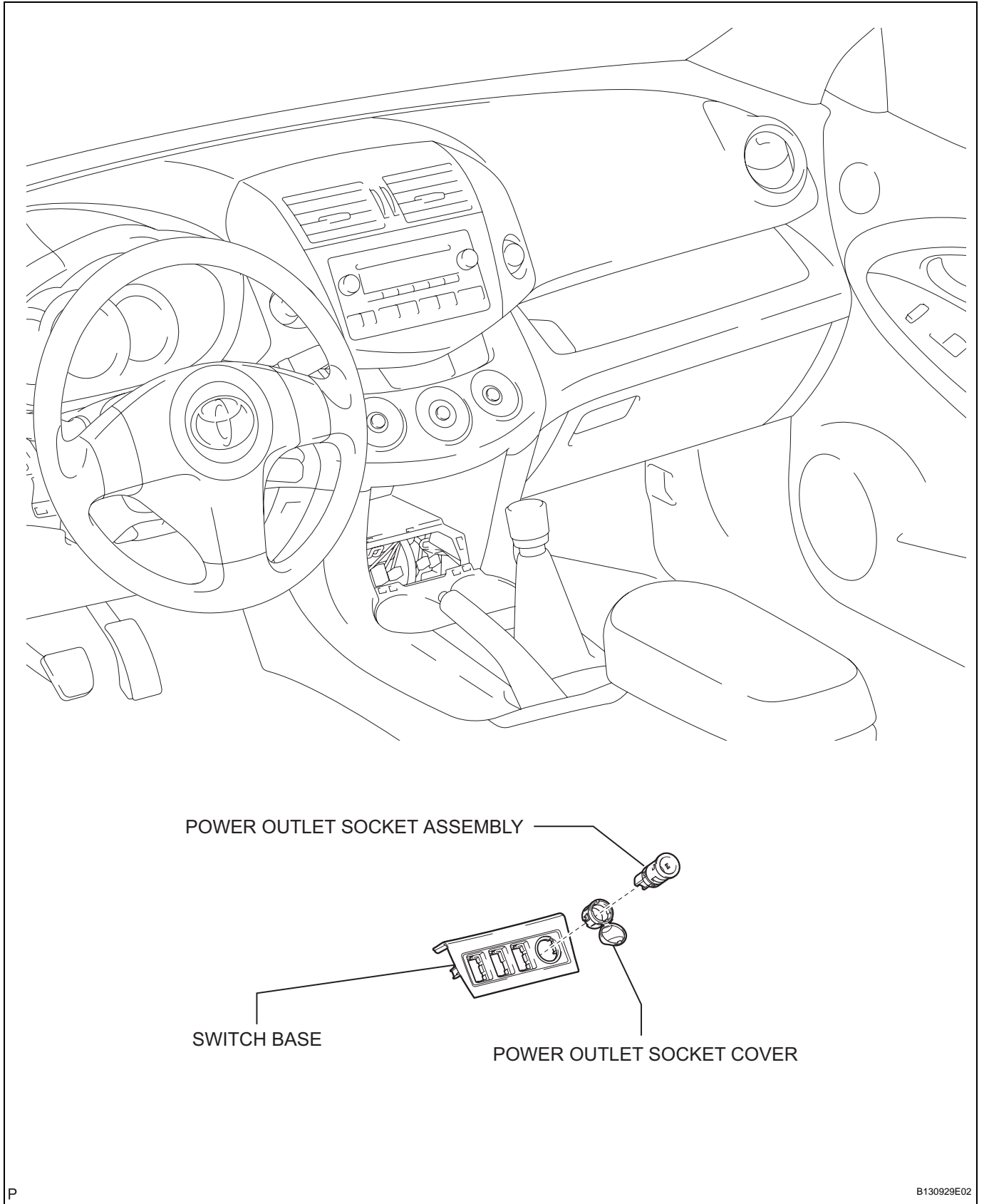


POWER OUTLET SOCKET

COMPONENTS



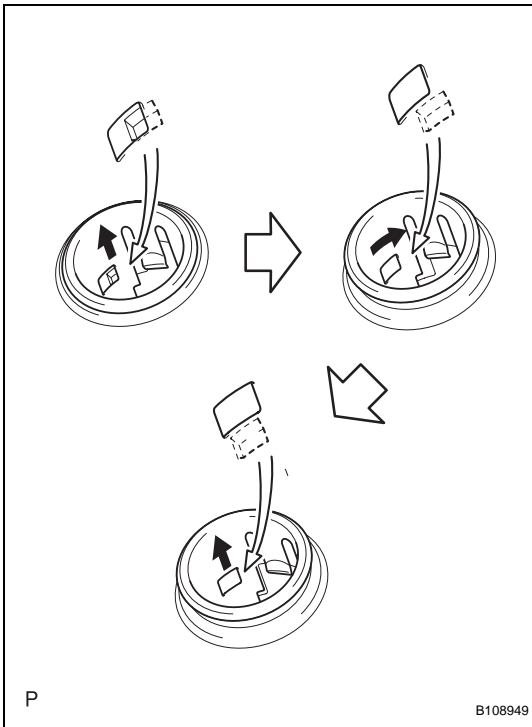
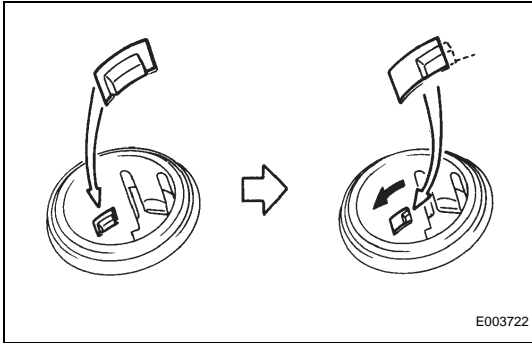
REMOVAL

1. **DISCONNECT CABLE FROM NEGATIVE BATTERY TERMINAL**

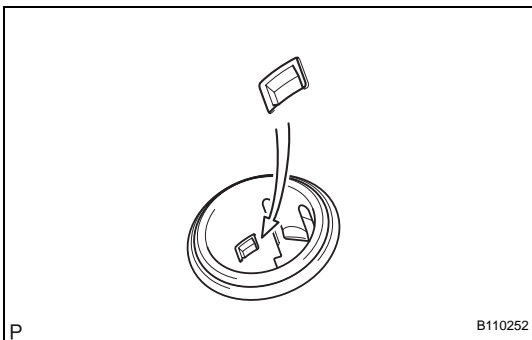
CAUTION:

Wait at least 90 seconds after disconnecting the cable from the negative (-) battery terminal to prevent airbag and seat belt pretensioner activation.

2. **REMOVE SWITCH BASE (See page IP-21)**
3. **REMOVE POWER OUTLET SOCKET ASSEMBLY**
 - (a) Rotate the socket to disengage the notch.



- (b) Pull out the socket halfway and rotate the socket until its protrusion is aligned with the groove of the cover.
- (c) Remove the socket from the cover.



INSTALLATION

1. **INSTALL POWER OUTLET SOCKET ASSEMBLY**
 - (a) Align the protrusion on the backside of the socket with the groove of the cover. Then push the socket into the cover.
2. **INSTALL SWITCH BASE (See page IP-24)**
3. **CONNECT CABLE TO NEGATIVE BATTERY TERMINAL**