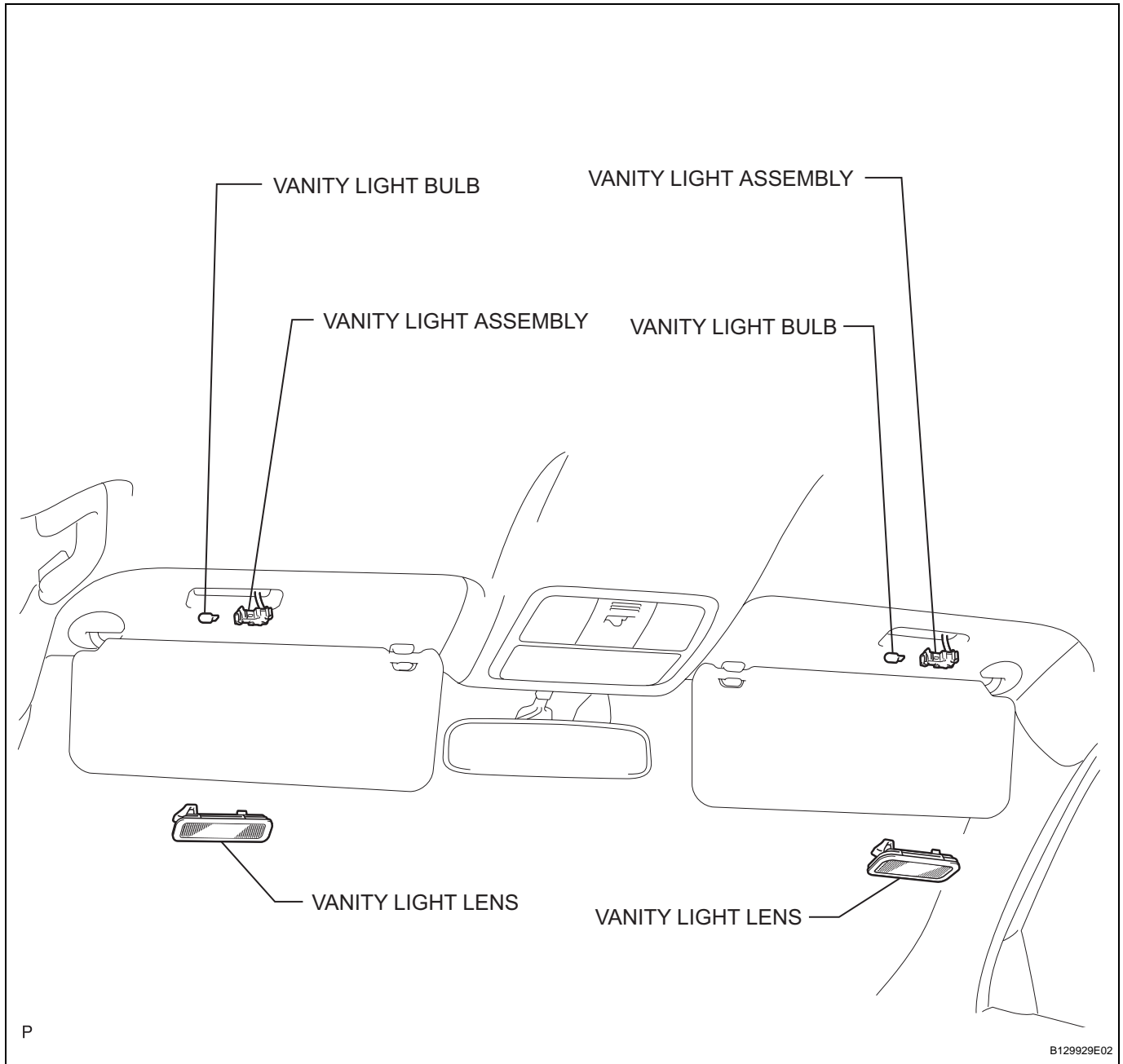


# VANITY LIGHT COMPONENTS



## REMOVAL

### HINT:

- Use the same procedures for the RH and LH sides.
- The procedures listed below are for the LH side.

### 1. DISCONNECT CABLE FROM NEGATIVE BATTERY TERMINAL

#### CAUTION:

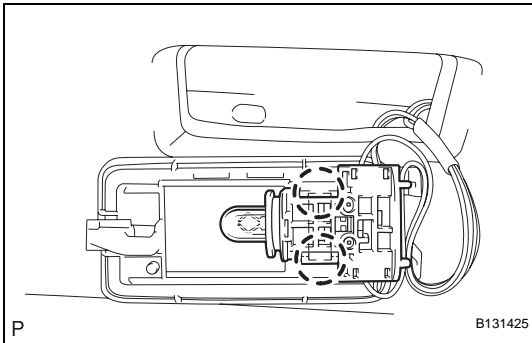
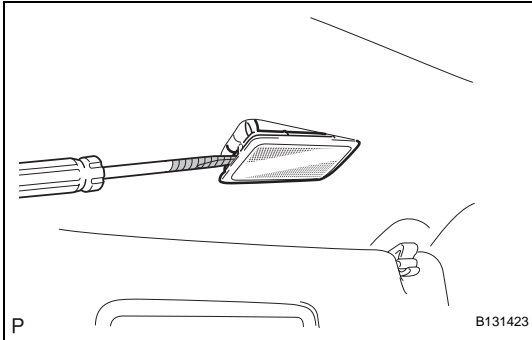
Wait at least 90 seconds after disconnecting the cable from the negative (-) battery terminal to prevent airbag and seat belt pretensioner activation.

### 2. REMOVE VANITY LIGHT ASSEMBLY

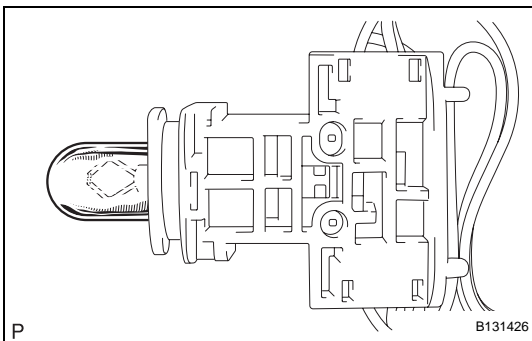
- (a) Using a screwdriver, pry out the vanity light.

#### HINT:

Tape the screwdriver tip before use.

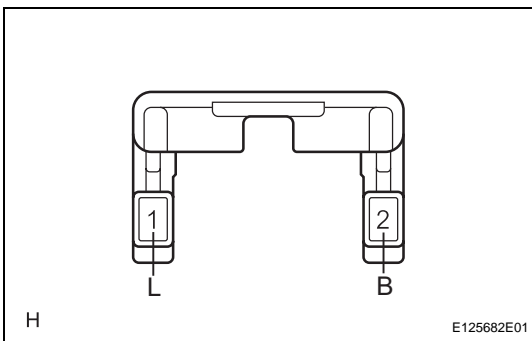


- (b) Detach the 2 claws and vanity light.



### 3. REMOVE VANITY LIGHT BULB

- (a) Remove the light bulb from the vanity light.



## INSPECTION

### 1. INSPECT VISOR ASSEMBLY

- (a) Remove the visor assembly.