

(b) Inspect vanity light switch.

Standard resistance

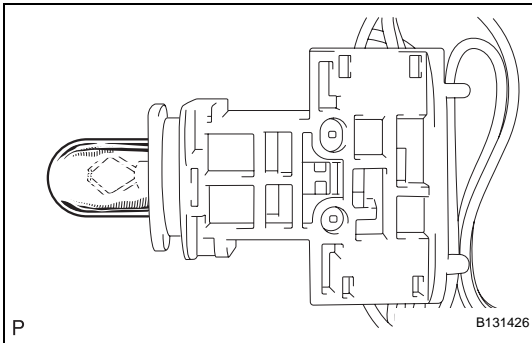
Tester Connection	Condition	Specified Condition
1 (L) - 2 (B)	Visor raise	10 kΩ or higher
	Visor lower and mirror cover open	Below 1 Ω
	Visor lower and mirror cover close	10 kΩ or higher

If the result is not as specified, replace the visor assembly.

INSTALLATION

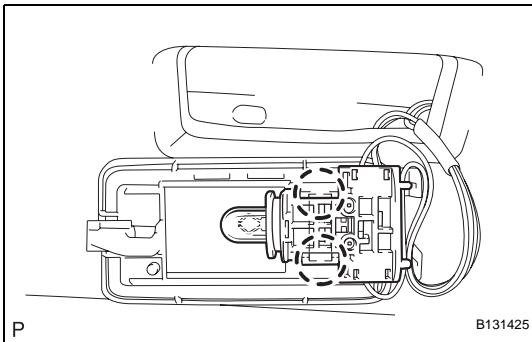
1. INSTALL VANITY LIGHT BULB

(a) Install the light bulb to the vanity light.



2. INSTALL VANITY LIGHT ASSEMBLY

(a) Attach the 2 claws and install the vanity light lens to the vanity light.



(b) Install the vanity light.

3. CONNECT CABLE TO NEGATIVE BATTERY TERMINAL

