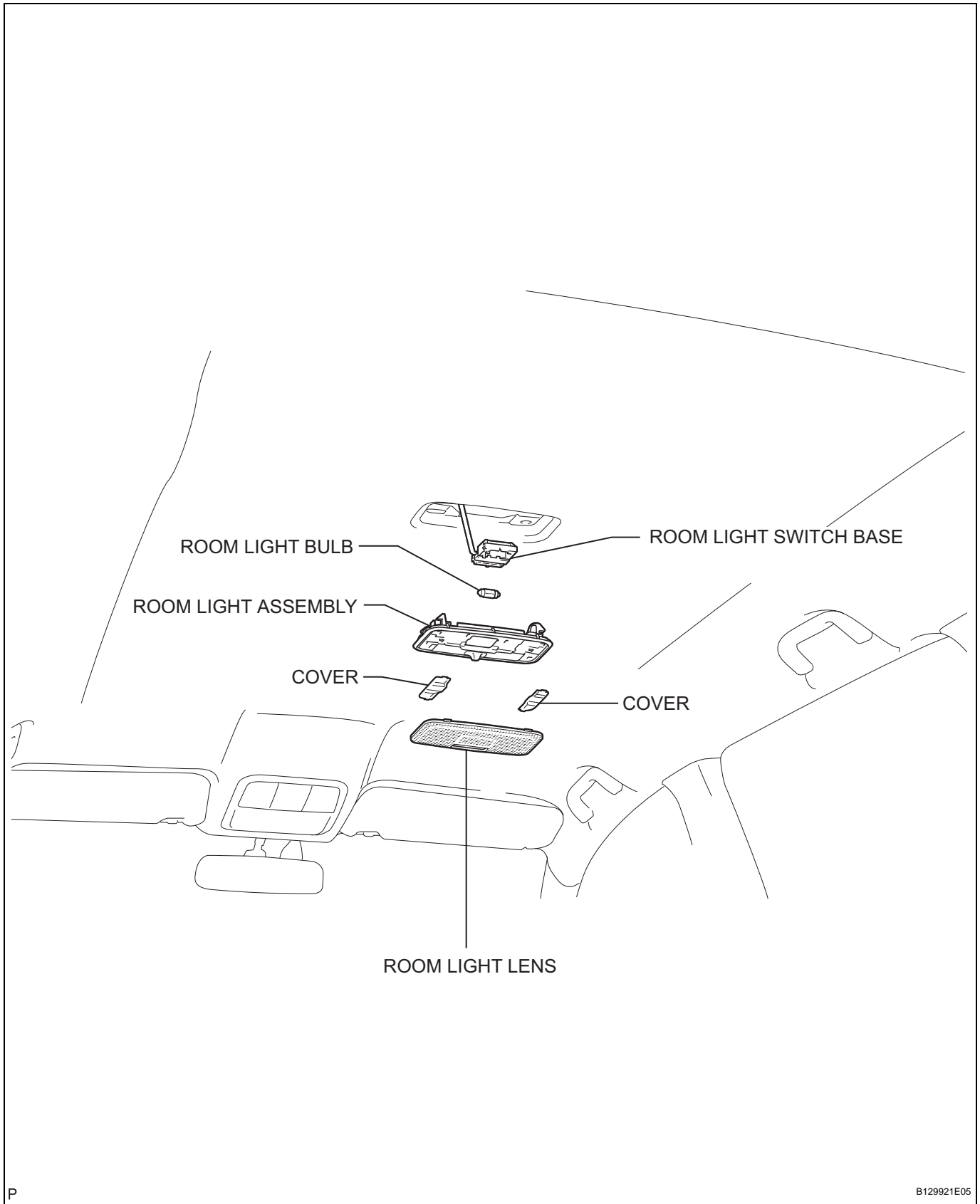


# ROOM LIGHT ASSEMBLY

## COMPONENTS



## REMOVAL

1. **DISCONNECT CABLE FROM NEGATIVE BATTERY TERMINAL**

### CAUTION:

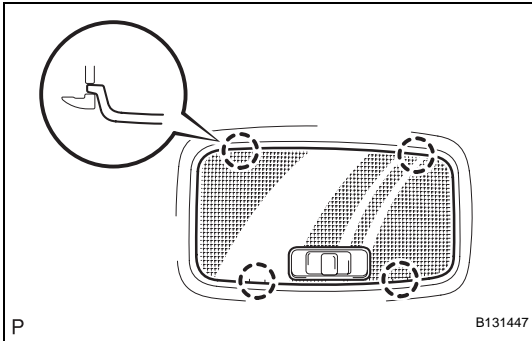
Wait at least 90 seconds after disconnecting the cable from the negative (-) battery terminal to prevent airbag and seat belt pretensioner activation.

2. **REMOVE ROOM LIGHT LENS**

- (a) Using a screwdriver, detach the 4 claws and remove the lens.

### HINT:

Tap the screwdriver tip before use.

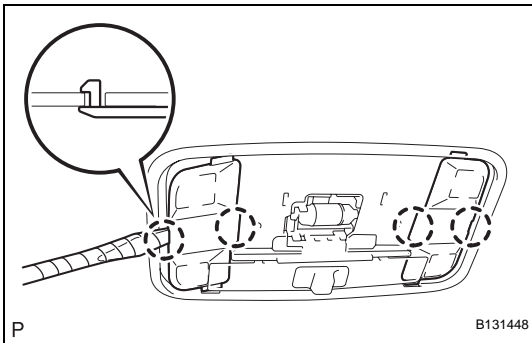


3. **REMOVE ROOM LIGHT ASSEMBLY**

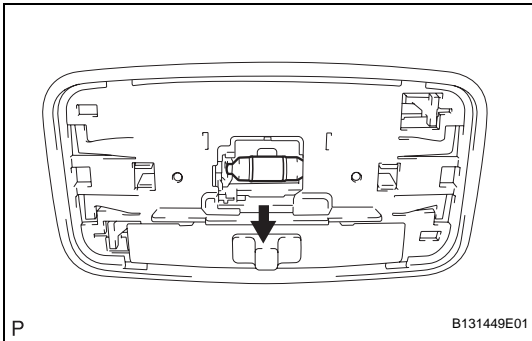
- (a) Using a screwdriver, detach the 4 claws and remove the 2 covers.

### HINT:

Tap the screwdriver tip before use.



- (b) Remove the bulb from the room light switch base.



- (c) Using a screwdriver, detach the 4 claws and remove the light.

### HINT:

Tap the screwdriver tip before use.

