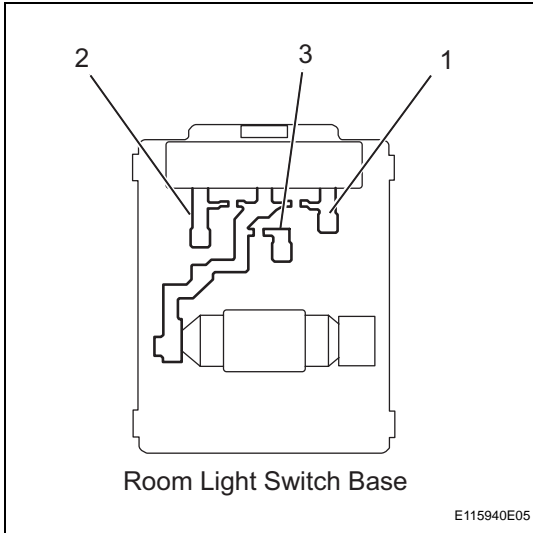


- (d) Using a screwdriver, detach the 4 claws and remove the room light switch base.

HINT:

Tape the screwdriver tip before use.



INSPECTION

1. INSPECT ROOM LIGHT

- (a) Connect the battery's positive (+) lead to terminal 1 and the negative (-) lead to terminal 2, and then check that the light comes on when the switch is in the DOOR position.

OK:

Light comes on.

If the result is not as specified, replace the light assembly.

- (b) Connect the positive (+) lead from the battery to terminal 1 and the negative (-) lead to terminal 3, then check that the light comes on when the switch is in the ON position.

OK:

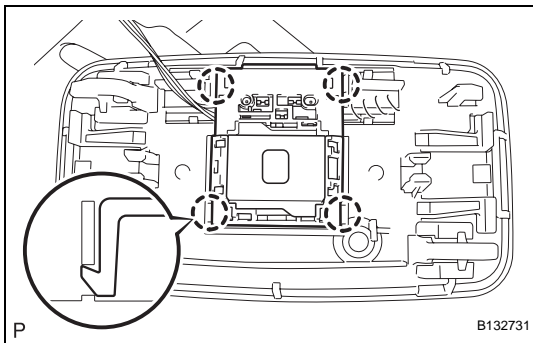
Light comes on.

If the result is not as specified, replace the light assembly.

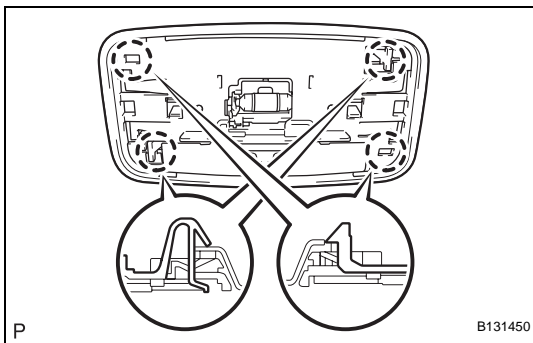
INSTALLATION

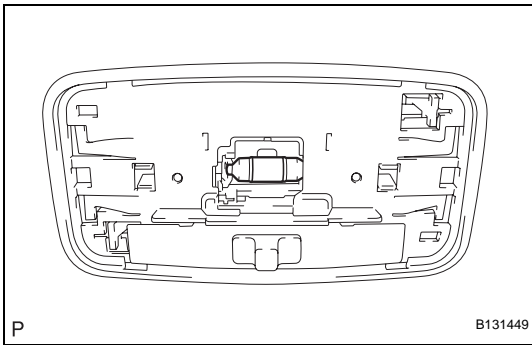
1. INSTALL ROOM LIGHT ASSEMBLY

- (a) Attach the 4 claws to install the room light switch base.

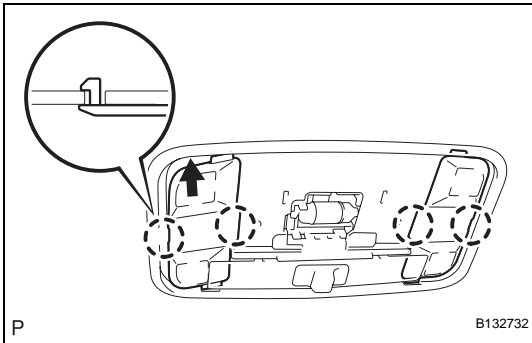


- (b) Attach the 4 claws to install the room light.

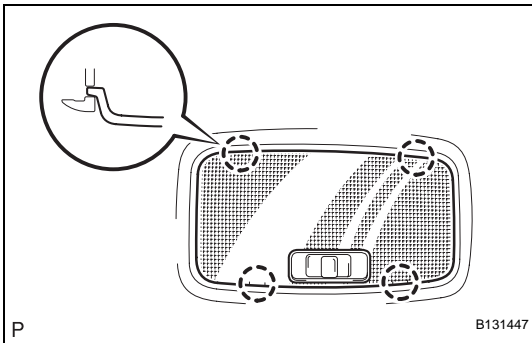




(c) Install the bulb to the room light switch base.



(d) Attach the 4 claws to install the 2 covers.



2. INSTALL ROOM LIGHT LENS

(a) Attach the 4 claws to install the lens.

3. CONNECT CABLE TO NEGATIVE BATTERY TERMINAL