

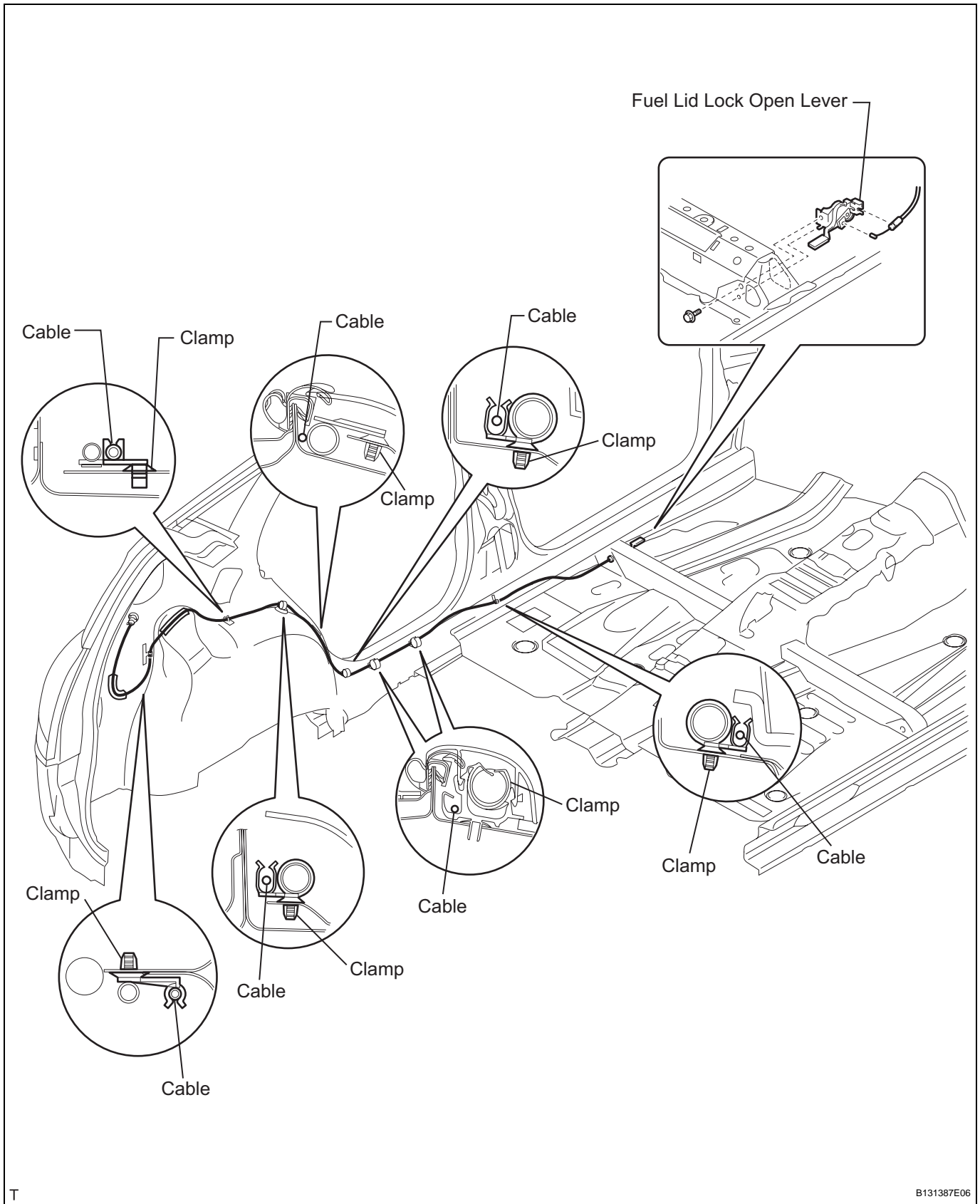
## REMOVAL

1. **DISCONNECT CABLE FROM NEGATIVE BATTERY TERMINAL**  
**CAUTION:**  
Wait at least 90 seconds after disconnecting the cable from the negative (-) battery terminal to prevent airbag and seat belt pretensioner activation.
2. **REMOVE FRONT SEAT ASSEMBLY LH**
  - (a) Remove the front seat.  
for Manual Seat (see page [SE-11](#))  
for Power Seat (see page [SE-27](#))
3. **REMOVE FRONT SEAT ASSEMBLY RH**
  - (a) Remove the front seat.  
for Manual Seat (see page [SE-11](#))  
for Power Seat (see page [SE-27](#))
4. **REMOVE REAR NO. 1 SEAT ASSEMBLY LH**
  - (a) Remove the rear No. 1 seat (see page [SE-45](#)).
5. **REMOVE REAR NO. 1 SEAT ASSEMBLY RH**
  - (a) Remove the rear No. 1 seat (see page [SE-80](#)).
6. **REMOVE NO. 1 CONSOLE UPPER PANEL GARNISH**  
(See page [IP-17](#))
7. **REMOVE NO. 2 CONSOLE UPPER PANEL GARNISH**  
(See page [IP-18](#))
8. **REMOVE UPPER CONSOLE PANEL SUB-ASSEMBLY**  
(See page [IP-18](#))
9. **REMOVE SWITCH BASE** (See page [IP-18](#))
10. **REMOVE CONSOLE CUP HOLDER BOX** (See page [IP-18](#))
11. **REMOVE UPPER REAR CONSOLE PANEL SUB-ASSEMBLY** (See page [IP-19](#))
12. **REMOVE CONSOLE REAR END PANEL** (See page [IP-19](#))
13. **REMOVE NO. 1 INSTRUMENT PANEL BRACKET COVER INNER LH** (See page [IP-19](#))
14. **REMOVE NO. 1 INSTRUMENT PANEL BRACKET COVER INNER RH** (See page [IP-19](#))
15. **REMOVE REAR CONSOLE BOX SUB-ASSEMBLY**  
(See page [IP-20](#))
16. **REMOVE FRONT DOOR SCUFF PLATE LH** (See page [IR-26](#))
17. **REMOVE FRONT DOOR SCUFF PLATE RH** (See page [IR-26](#))
18. **REMOVE COWL SIDE TRIM BOARD LH** (See page [IR-26](#))
19. **REMOVE COWL SIDE TRIM BOARD RH** (See page [IR-26](#))

20. REMOVE FRONT DOOR OPENING TRIM WEATHERSTRIP LH
21. REMOVE FRONT DOOR OPENING TRIM WEATHERSTRIP RH
22. REMOVE REAR DOOR SCUFF PLATE LH (See page [IR-29](#))
23. REMOVE REAR DOOR SCUFF PLATE RH (See page [IR-29](#))
24. REMOVE REAR DOOR OPENING TRIM WEATHERSTRIP LH
25. REMOVE REAR DOOR OPENING TRIM WEATHERSTRIP RH
26. REMOVE LOWER CENTER PILLAR GARNISH LH (See page [IR-29](#))
27. REMOVE LOWER CENTER PILLAR GARNISH RH (See page [IR-30](#))
28. REMOVE PACKAGE TRAY TRIM POCKET SUB-ASSEMBLY (w/o Rear No. 2 Seat)
29. REMOVE TONNEAU COVER ASSEMBLY (w/o Rear No. 2 Seat)
30. REMOVE REAR FLOOR NO. 1 BOARD (w/o Rear No. 2 Seat)
31. REMOVE DECK BOARD ASSEMBLY (w/o Rear No. 2 Seat)
32. REMOVE REAR NO. 2 SEAT ASSEMBLY LH (w/ Rear No. 2 Seat)
  - (a) Remove the rear No. 2 seat (see page [SE-109](#)).
33. REMOVE REAR NO. 2 SEAT ASSEMBLY RH (w/ Rear No. 2 Seat)
  - (a) Remove the rear No. 2 seat (see page [SE-109](#)).
34. REMOVE REAR FLOOR NO. 3 BOARD
35. REMOVE REAR FLOOR NO. 2 BOARD
36. REMOVE REAR FLOOR NO. 1 MAT SUPPORT SIDE PLATE (See page [IR-31](#))
37. REMOVE BACK DOOR WEATHERSTRIP
38. REMOVE REAR FLOOR FINISH PLATE (See page [IR-31](#))
39. REMOVE REAR DECK TRIM COVER LH (w/ Rear No. 2 Seat) (See page [IR-31](#))
40. REMOVE REAR DECK TRIM COVER LH (w/ Rear No. 2 Seat) (See page [IR-31](#))
41. REMOVE RECLINING REMOTE CONTROL LEVER BEZEL LH (w/o Rear No. 2 Seat) (See page [SE-45](#))

42. REMOVE RECLINING REMOTE CONTROL LEVER BEZEL RH (w/o Rear No. 2 Seat) (See page [SE-80](#))
43. REMOVE TETHER ANCHOR BRACKET SUB-ASSEMBLY (w/o Rear No. 2 Seat) (See page [IR-32](#))
44. REMOVE DECK TRIM SIDE PANEL ASSEMBLY LH (w/o Rear No. 2 Seat) (See page [IR-32](#))
45. REMOVE DECK TRIM SIDE PANEL ASSEMBLY LH (w/ Rear No. 2 Seat) (See page [IR-32](#))
46. REMOVE DECK TRIM SIDE PANEL ASSEMBLY RH (w/o Rear No. 2 Seat) (See page [IR-33](#))
47. REMOVE DECK TRIM SIDE PANEL ASSEMBLY RH (w/ Rear No. 2 Seat) (See page [IR-34](#))
48. REMOVE FRONT FLOOR CARPET ASSEMBLY
  - (a) Partially remove the floor carpet.  
HINT:  
It is not necessary to fully remove the floor carpet. Partially remove it so that the lock control cable can be removed in a later step.
49. REMOVE FUEL LID LOCK CONTROL CABLE SUB-ASSEMBLY
  - (a) Remove the bolt and fuel lid lock open lever.

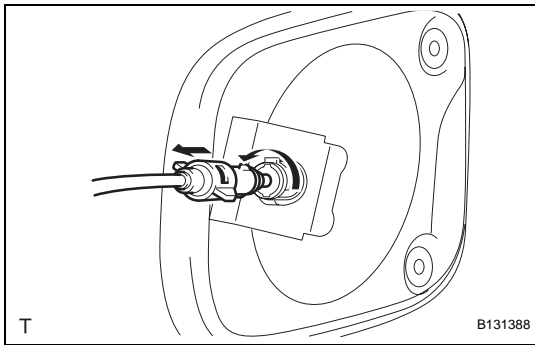
(b) Remove the tape and cable from the clamps as shown in the illustration.



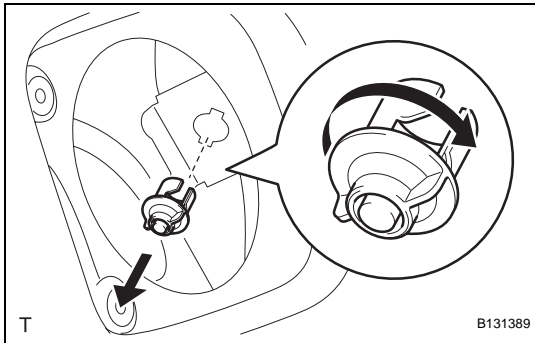
IR

T

B131387E06

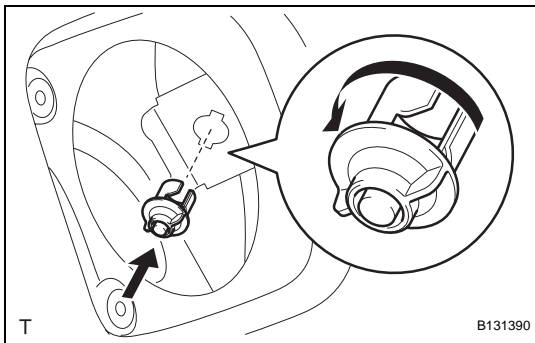


- (c) Turn the lock retainer counterclockwise and remove the cable from the retainer.



**50. REMOVE FUEL FILLER OPENING LID LOCK RETAINER**

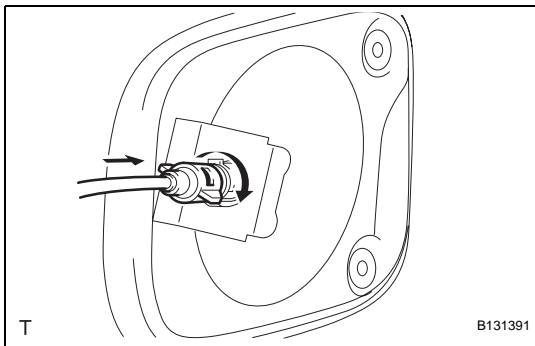
- (a) Turn the lock retainer clockwise and remove the lock retainer as shown in the illustration.



**INSTALLATION**

**1. INSTALL FUEL FILLER OPENING LID LOCK RETAINER**

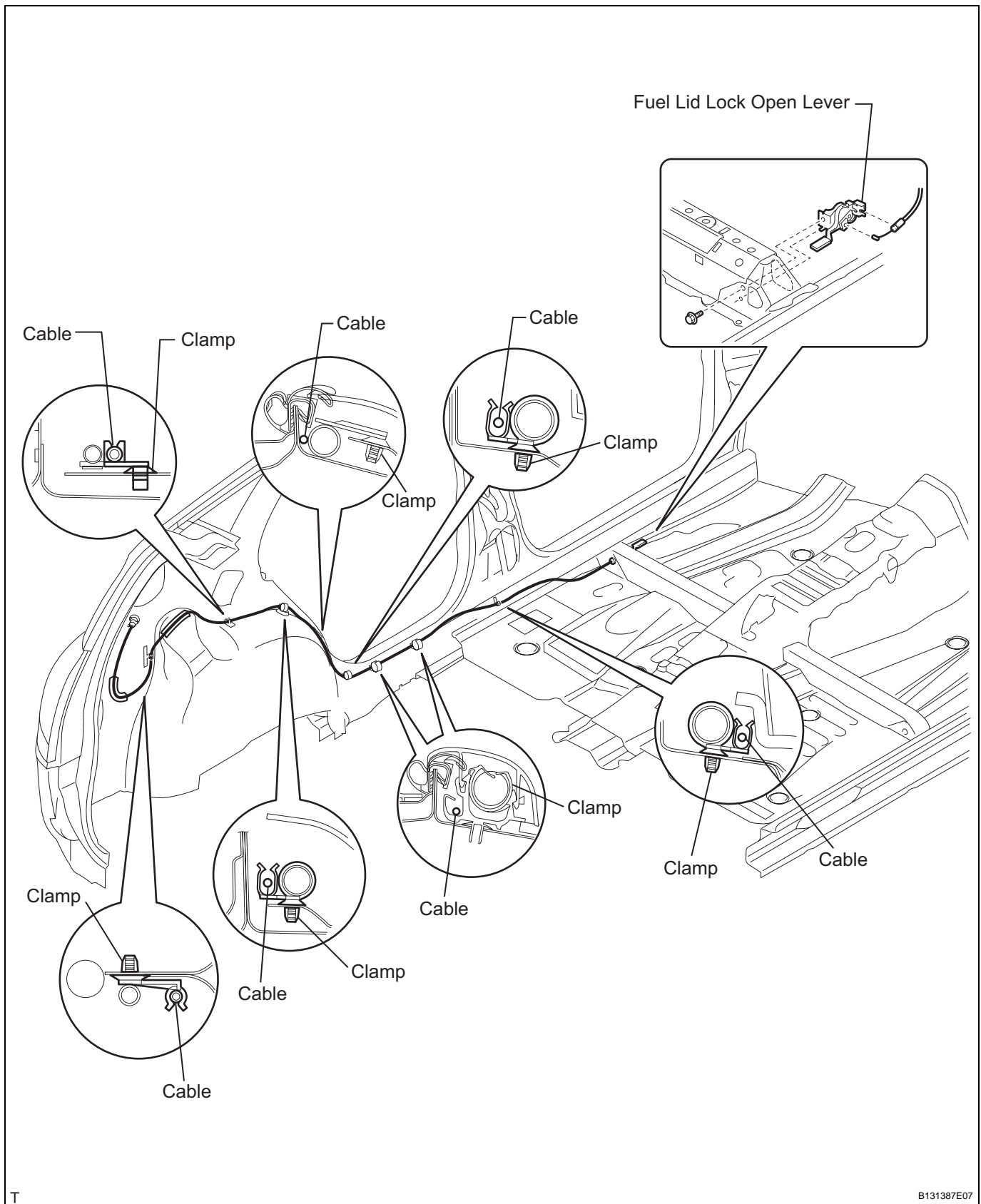
- (a) Install the lock retainer and turn it counterclockwise as shown in the illustration.



**2. INSTALL FUEL LID LOCK CONTROL CABLE SUB-ASSEMBLY**

- (a) Install the cable and turn it clockwise as shown in the illustration.
- (b) Install the fuel lid lock open lever with the bolt.  
**Torque: 8.0 N\*m (82 kgf\*cm, 71 in.\*lbf)**

- (c) Install the cable to the clamps as shown in the illustration.



T

B131387E07

### 3. INSTALL FRONT FLOOR CARPET ASSEMBLY

4. **INSTALL DECK TRIM SIDE PANEL ASSEMBLY RH (w/ Rear No. 2 Seat) (See page [IR-34](#))**
5. **INSTALL DECK TRIM SIDE PANEL ASSEMBLY RH (w/o Rear No. 2 Seat) (See page [IR-53](#))**
6. **INSTALL DECK TRIM SIDE PANEL ASSEMBLY LH (w/ Rear No. 2 Seat) (See page [IR-32](#))**
7. **INSTALL DECK TRIM SIDE PANEL ASSEMBLY LH (w/o Rear No. 2 Seat) (See page [IR-52](#))**
8. **INSTALL TETHER ANCHOR BRACKET SUB-ASSEMBLY (w/o Rear No. 2 Seat) (See page [IR-54](#))**
9. **INSTALL RECLINING REMOTE CONTROL LEVER BEZEL RH (w/o Rear No. 2 Seat) (See page [SE-105](#))**
10. **INSTALL RECLINING REMOTE CONTROL LEVER BEZEL LH (w/o Rear No. 2 Seat) (See page [SE-73](#))**
11. **INSTALL REAR DECK TRIM COVER RH (w/ Rear No. 2 Seat) (See page [IR-55](#))**
12. **INSTALL REAR DECK TRIM COVER LH (w/ Rear No. 2 Seat) (See page [IR-55](#))**
13. **INSTALL REAR FLOOR FINISH PLATE (See page [IR-55](#))**
14. **INSTALL BACK DOOR WEATHERSTRIP**
15. **INSTALL REAR FLOOR NO. 1 MAT SUPPORT SIDE PLATE (See page [IR-55](#))**
16. **INSTALL REAR FLOOR NO. 2 BOARD**
17. **INSTALL REAR FLOOR NO. 3 BOARD**
18. **INSTALL REAR NO. 2 SEAT ASSEMBLY RH (w/ Rear No. 2 Seat)**
  - (a) Install the rear No. 2 seat (see page [SE-121](#)).
19. **INSTALL REAR NO. 2 SEAT ASSEMBLY LH (w/ Rear No. 2 Seat)**
  - (a) Install the rear No. 2 seat (see page [SE-121](#)).
20. **INSTALL DECK BOARD ASSEMBLY (w/o Rear No. 2 Seat)**
21. **INSTALL REAR FLOOR NO. 1 BOARD (w/o Rear No. 2 Seat)**
22. **INSTALL TONNEAU COVER ASSEMBLY (w/o Rear No. 2 Seat)**
23. **INSTALL PACKAGE TRAY TRIM POCKET SUB-ASSEMBLY (w/o Rear No. 2 Seat)**
24. **INSTALL LOWER CENTER PILLAR GARNISH RH (See page [IR-56](#))**
25. **INSTALL LOWER CENTER PILLAR GARNISH LH (See page [IR-56](#))**

26. INSTALL REAR DOOR OPENING TRIM WEATHERSTRIP RH
27. INSTALL REAR DOOR OPENING TRIM WEATHERSTRIP LH
28. INSTALL REAR DOOR SCUFF PLATE RH (See page [IR-57](#))
29. INSTALL REAR DOOR SCUFF PLATE LH (See page [IR-57](#))
30. INSTALL FRONT DOOR OPENING TRIM WEATHERSTRIP RH
31. INSTALL FRONT DOOR OPENING TRIM WEATHERSTRIP LH
32. INSTALL COWL SIDE TRIM BOARD RH (See page [IR-59](#))
33. INSTALL COWL SIDE TRIM BOARD LH (See page [IR-59](#))
34. INSTALL FRONT DOOR SCUFF PLATE RH (See page [IR-59](#))
35. INSTALL FRONT DOOR SCUFF PLATE LH (See page [IR-59](#))
36. INSTALL REAR CONSOLE BOX SUB-ASSEMBLY (See page [IP-26](#))
37. INSTALL NO. 1 INSTRUMENT PANEL BRACKET COVER INNER RH (See page [IP-26](#))
38. INSTALL NO. 1 INSTRUMENT PANEL BRACKET COVER INNER LH (See page [IP-26](#))
39. INSTALL CONSOLE REAR END PANEL (See page [IP-26](#))
40. INSTALL UPPER REAR CONSOLE PANEL SUB-ASSEMBLY (See page [IP-27](#))
41. INSTALL CONSOLE CUP HOLDER BOX (See page [IP-27](#))
42. INSTALL SWITCH BASE (See page [IP-27](#))
43. INSTALL UPPER CONSOLE PANEL SUB-ASSEMBLY (See page [IP-27](#))
44. INSTALL NO. 2 CONSOLE UPPER PANEL GARNISH (See page [IP-28](#))
45. INSTALL NO. 1 CONSOLE UPPER PANEL GARNISH (See page [IP-28](#))
46. INSTALL REAR NO. 1 SEAT ASSEMBLY LH
  - (a) Install the rear No. 1 seat (see page [SE-64](#)).
47. INSTALL REAR NO. 1 SEAT ASSEMBLY RH
  - (a) Install the rear No. 1 seat (see page [SE-97](#)).



**48. INSTALL FRONT SEAT ASSEMBLY LH**

- (a) Install the front seat.  
for Manual Seat (see page [SE-22](#))  
for Power Seat (see page [SE-37](#)).

**49. INSTALL FRONT SEAT ASSEMBLY RH**

- (a) Install the front seat.  
for Manual Seat (see page [SE-22](#))  
for Power Seat (see page [SE-37](#))

**50. CONNECT CABLE TO NEGATIVE BATTERY TERMINAL****51. CHECK SRS WARNING LIGHT**

- (a) Check the SRS warning light (see page [RS-37](#)).