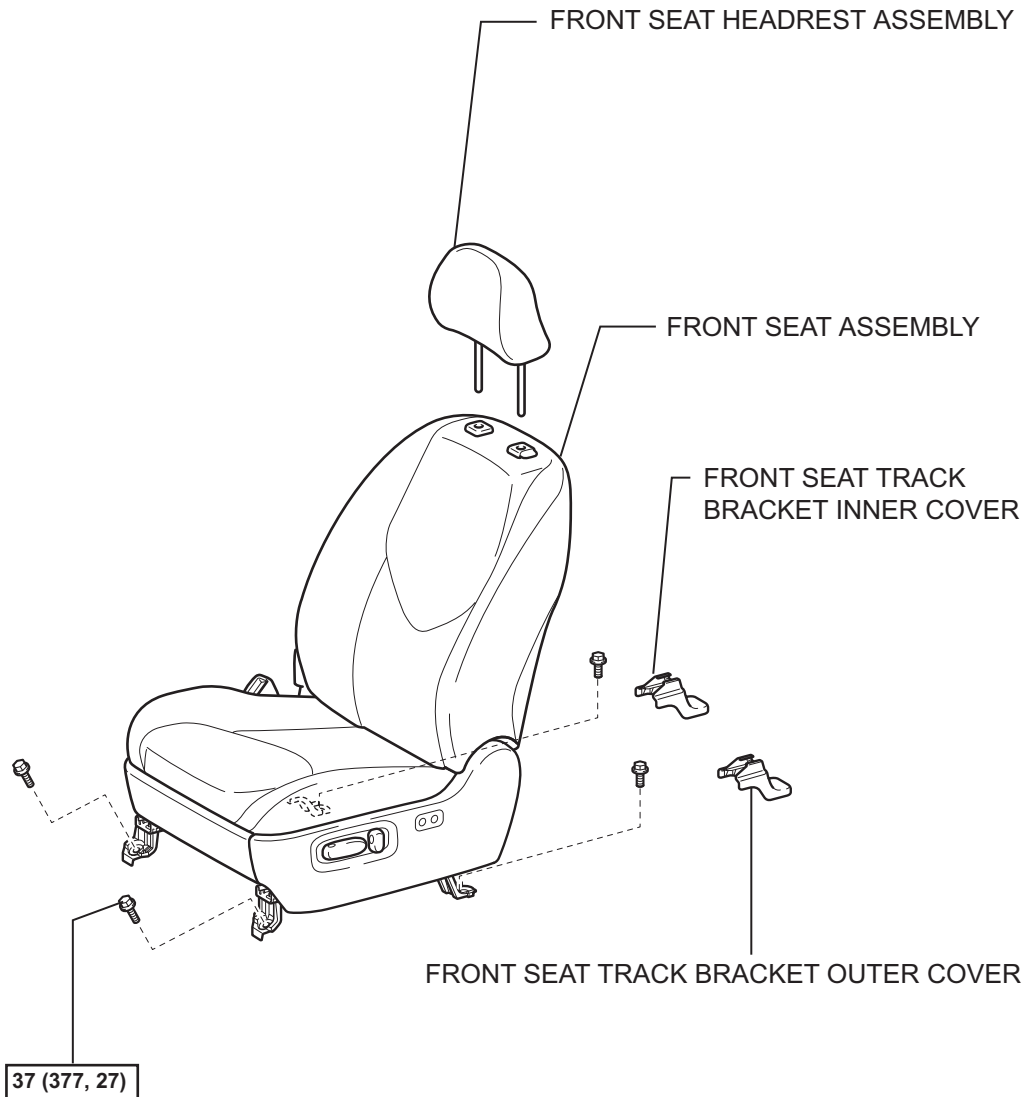


FUEL LID LOCK CONTROL

COMPONENTS

IR

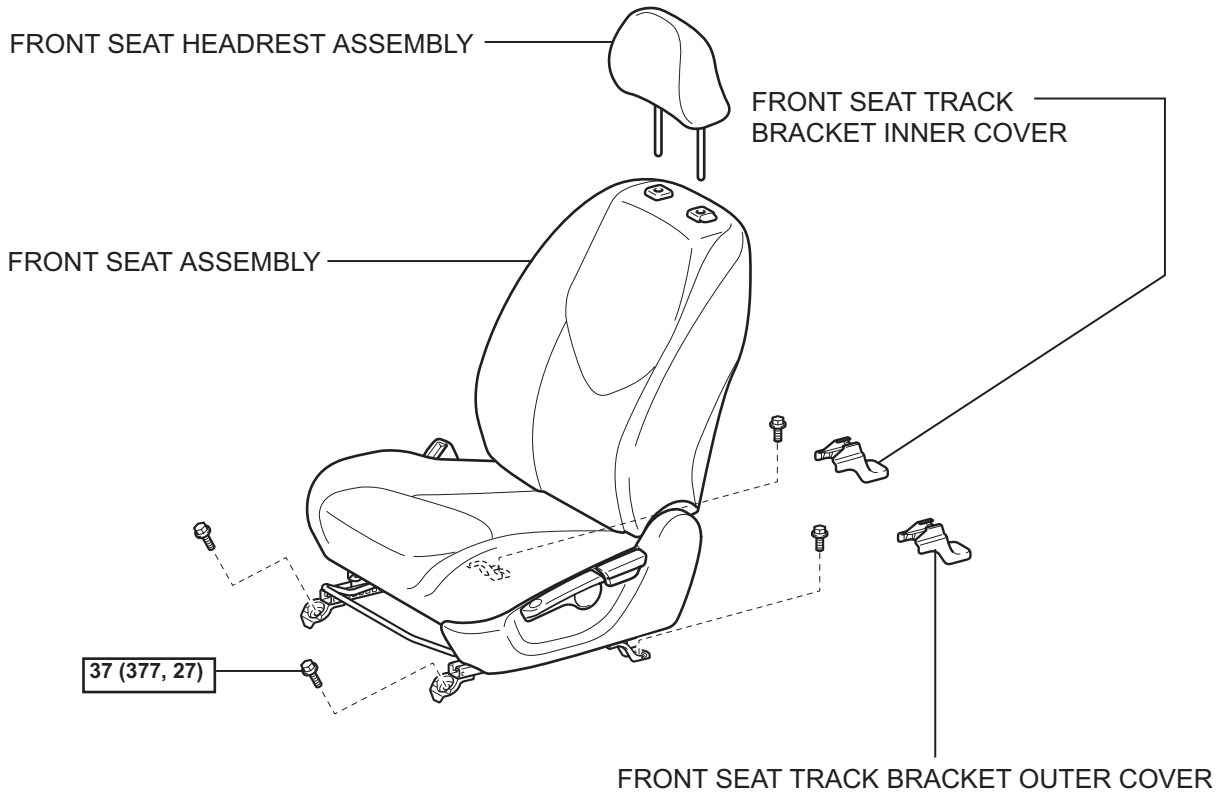
for Power Seat Type



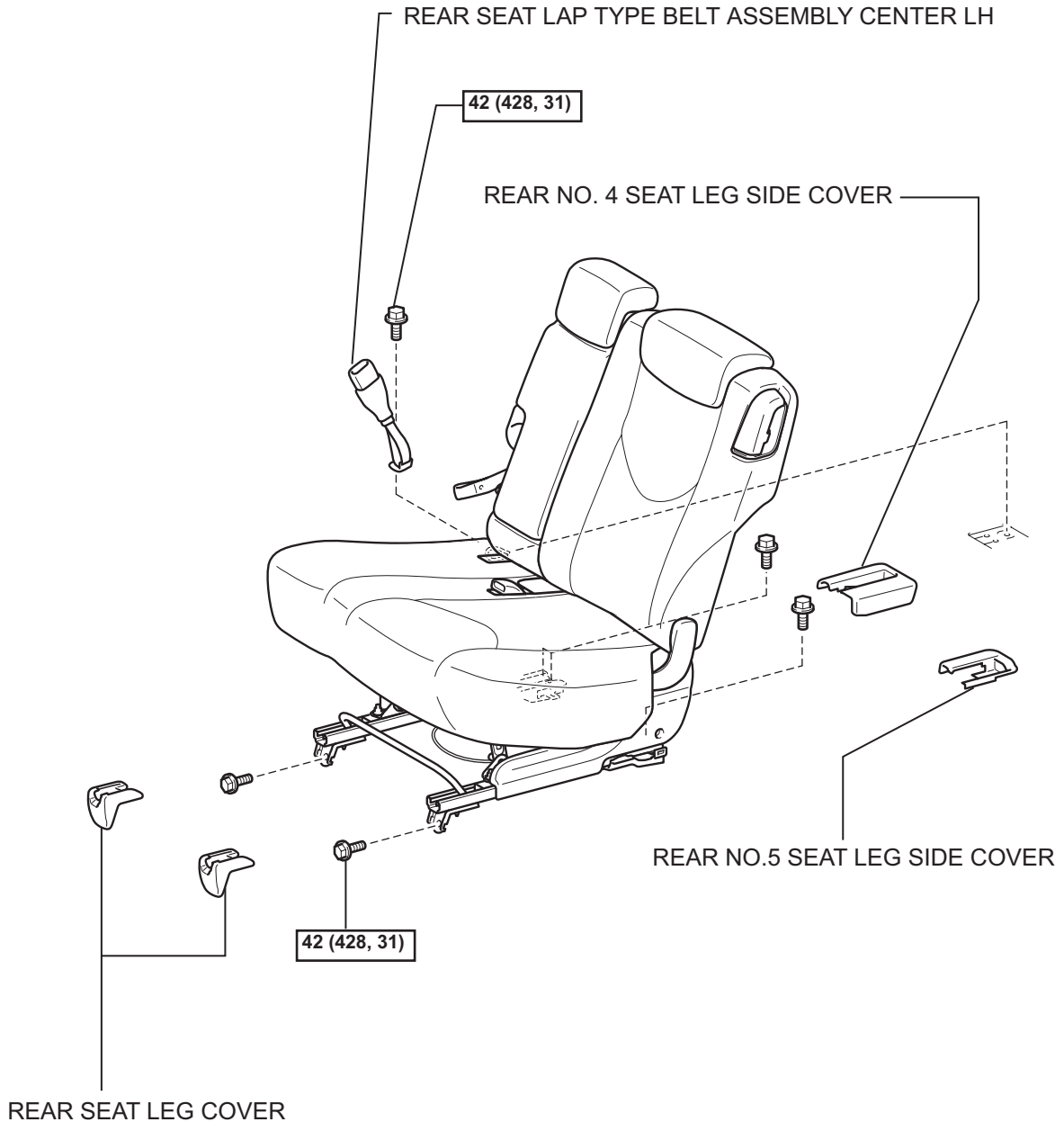
N*m (kgf*cm, ft.*lbf) : Specified torque

for Manual Seat Type

IR

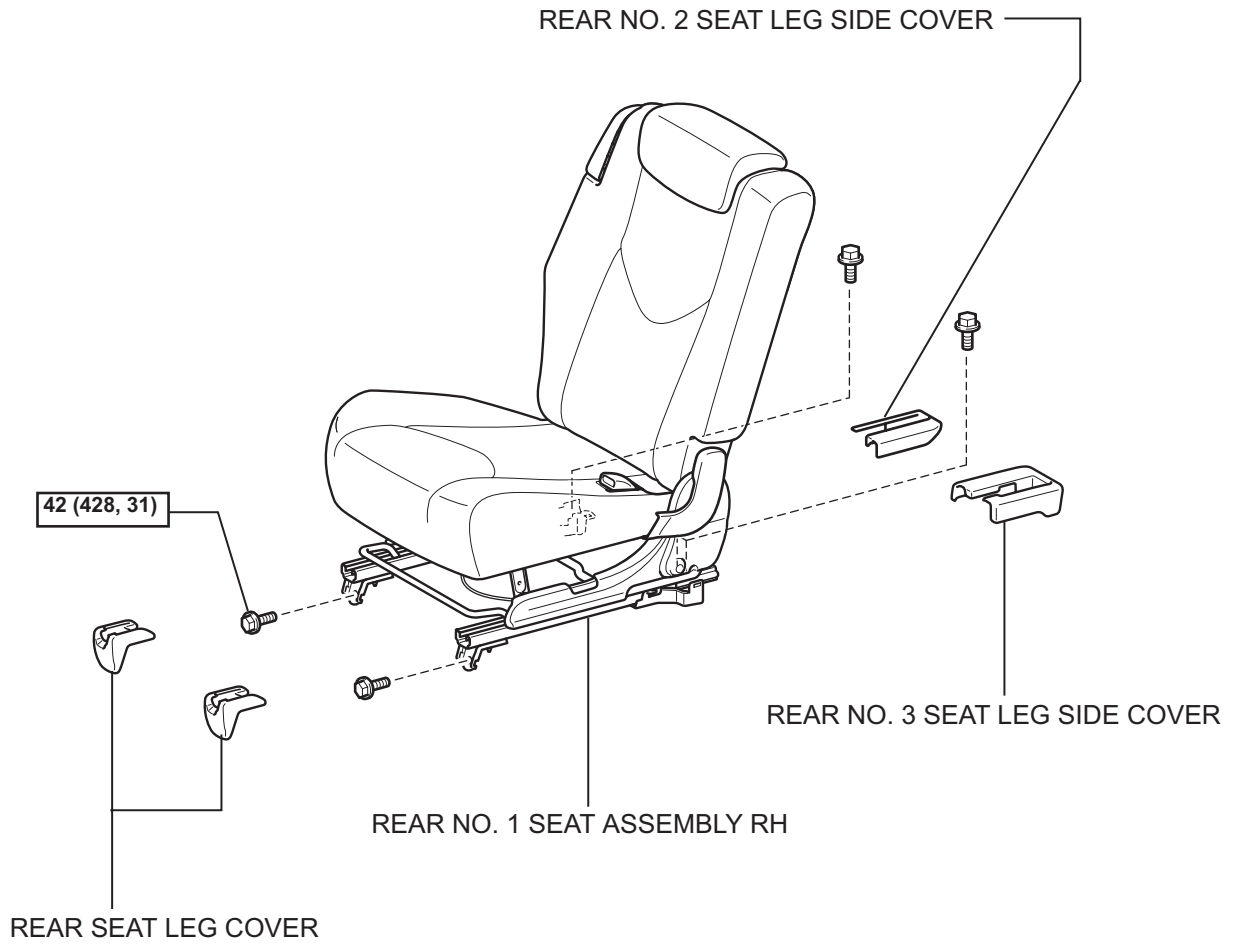


N^*m (kgf*cm, ft.*lbf) : Specified torque



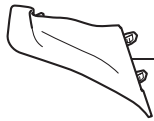
N*m (kgf*cm, ft.*lbf) : Specified torque

IR



$N*m$ (kgf*cm, ft.*lbf) : Specified torque

NO. 1 INSTRUMENT PANEL
BRACKET COVER INNER RH



NO. 1 INSTRUMENT PANEL
BRACKET COVER INNER LH



SHIFT LEVER KNOB



UPPER CONSOLE PANEL
SUB-ASSEMBLY



SWITCH BASE

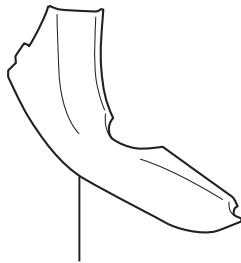
UPPER REAR CONSOLE
PANEL SUB-ASSEMBLY



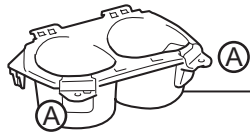
NO. 2 CONSOLE UPPER PANEL GARNISH



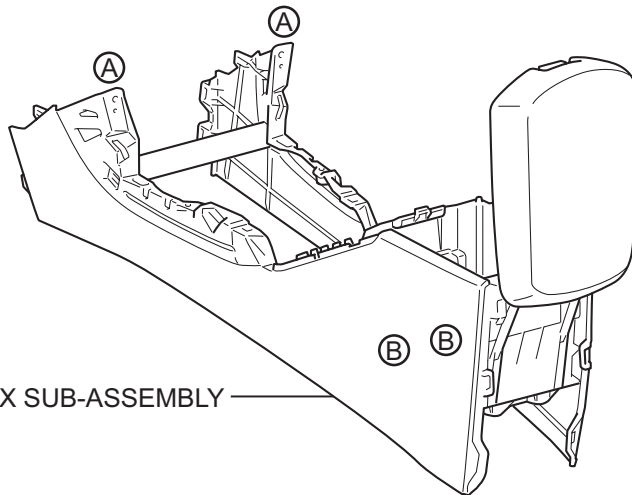
CONSOLE BOX CARPET



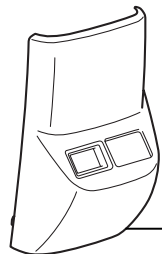
NO. 1 CONSOLE UPPER PANEL
GARNISH



CONSOLE CUP HOLDER BOX



REAR CONSOLE BOX SUB-ASSEMBLY

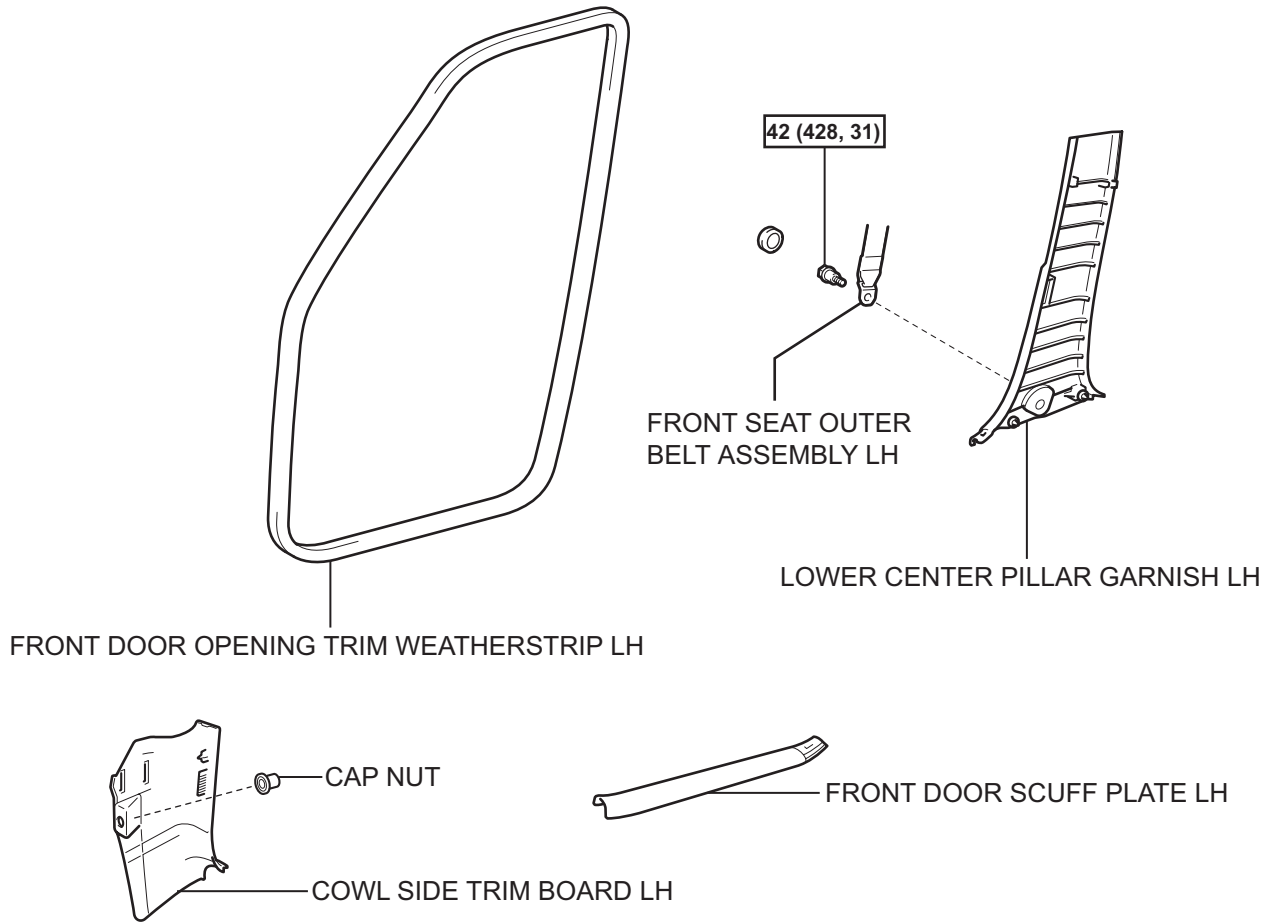


CONSOLE REAR END PANEL
(RSE Type)

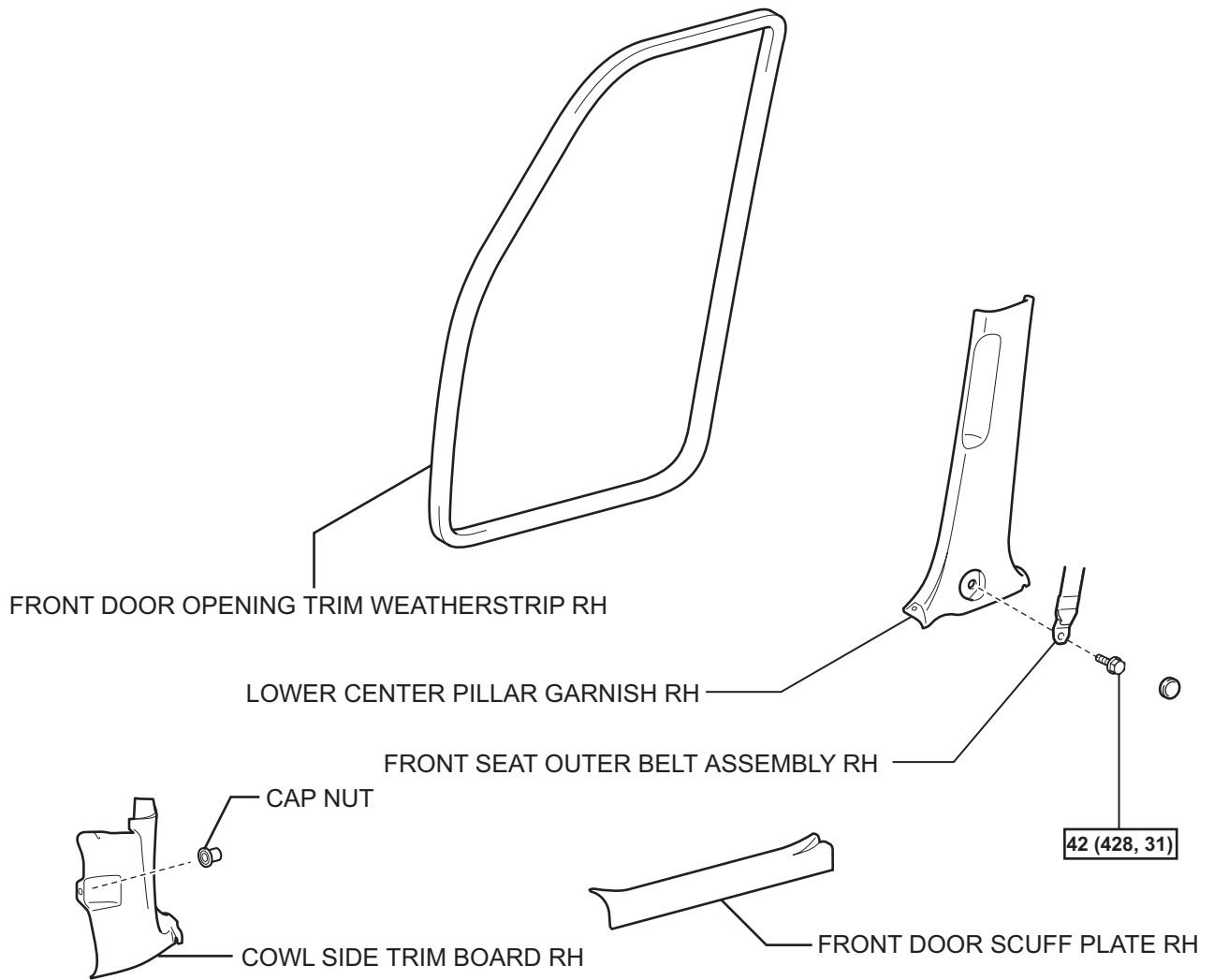
CONSOLE REAR END PANEL



IR



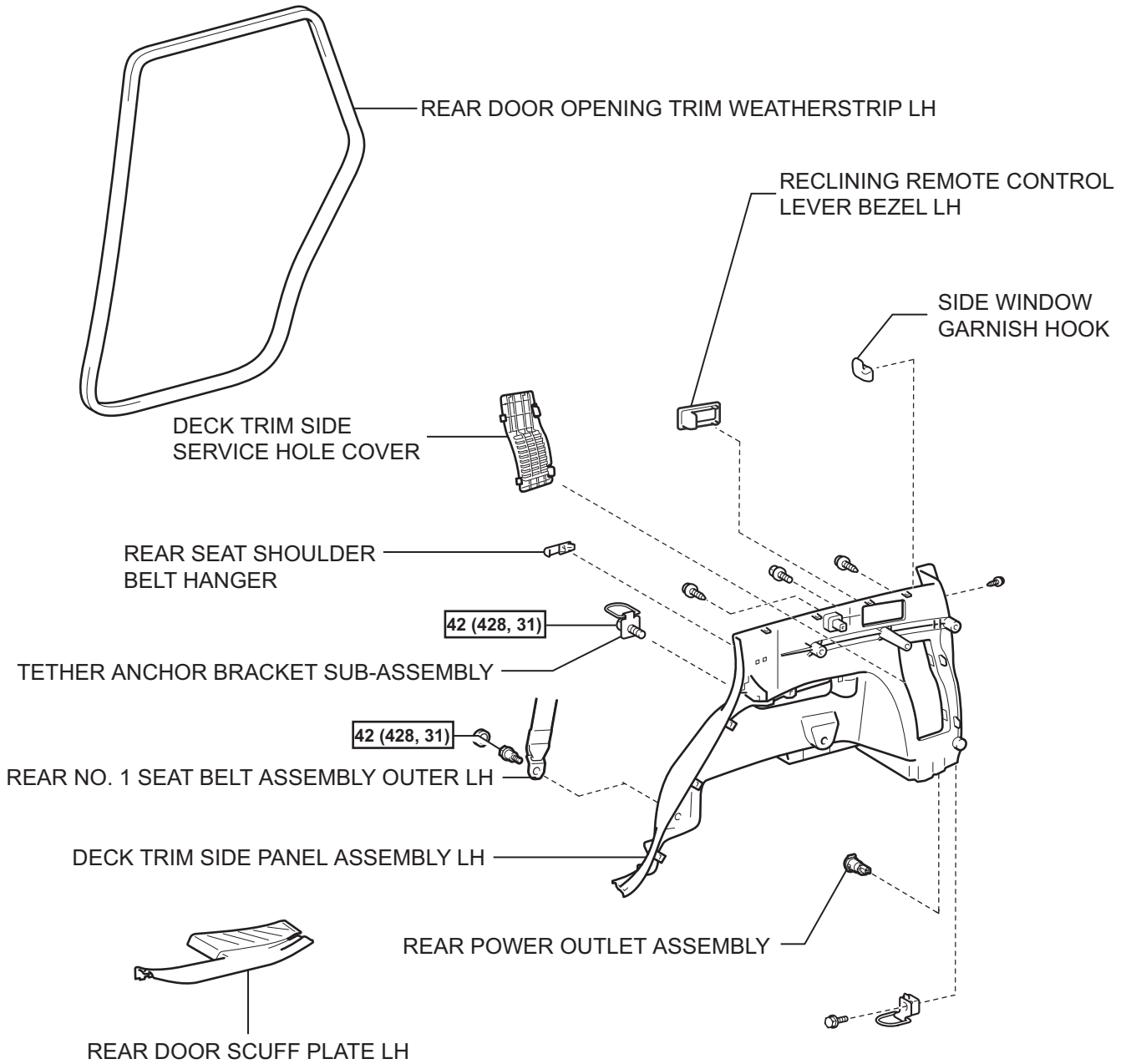
$\boxed{N \cdot m (kgf \cdot cm, ft. \cdot lbf)}$: Specified torque



$\boxed{\text{N*m (kgf*cm, ft.*lbf)}}$: Specified torque

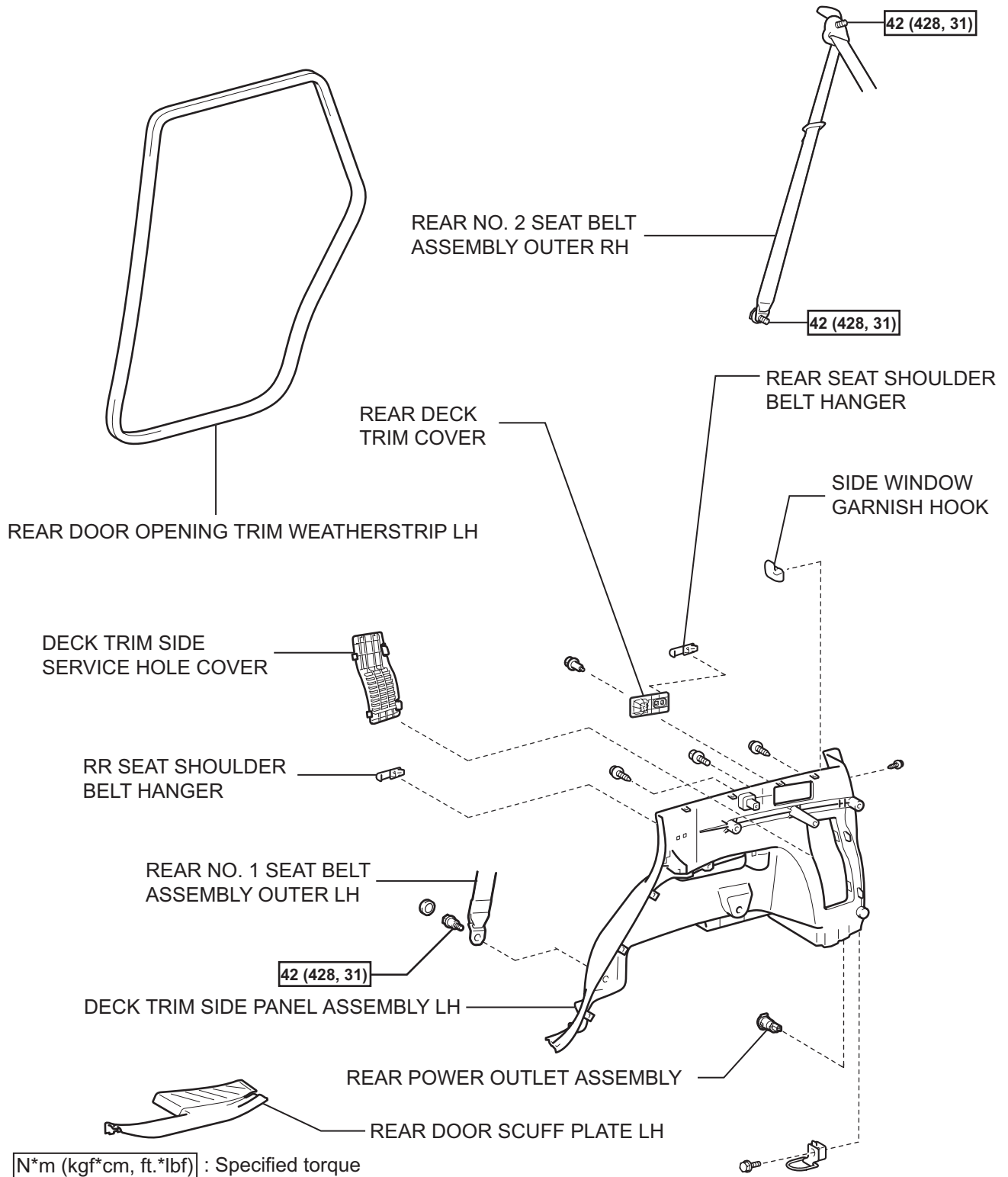
w/o Rear No. 2 Seat

IR



N*m (kgf*cm, ft.*lbf) : Specified torque

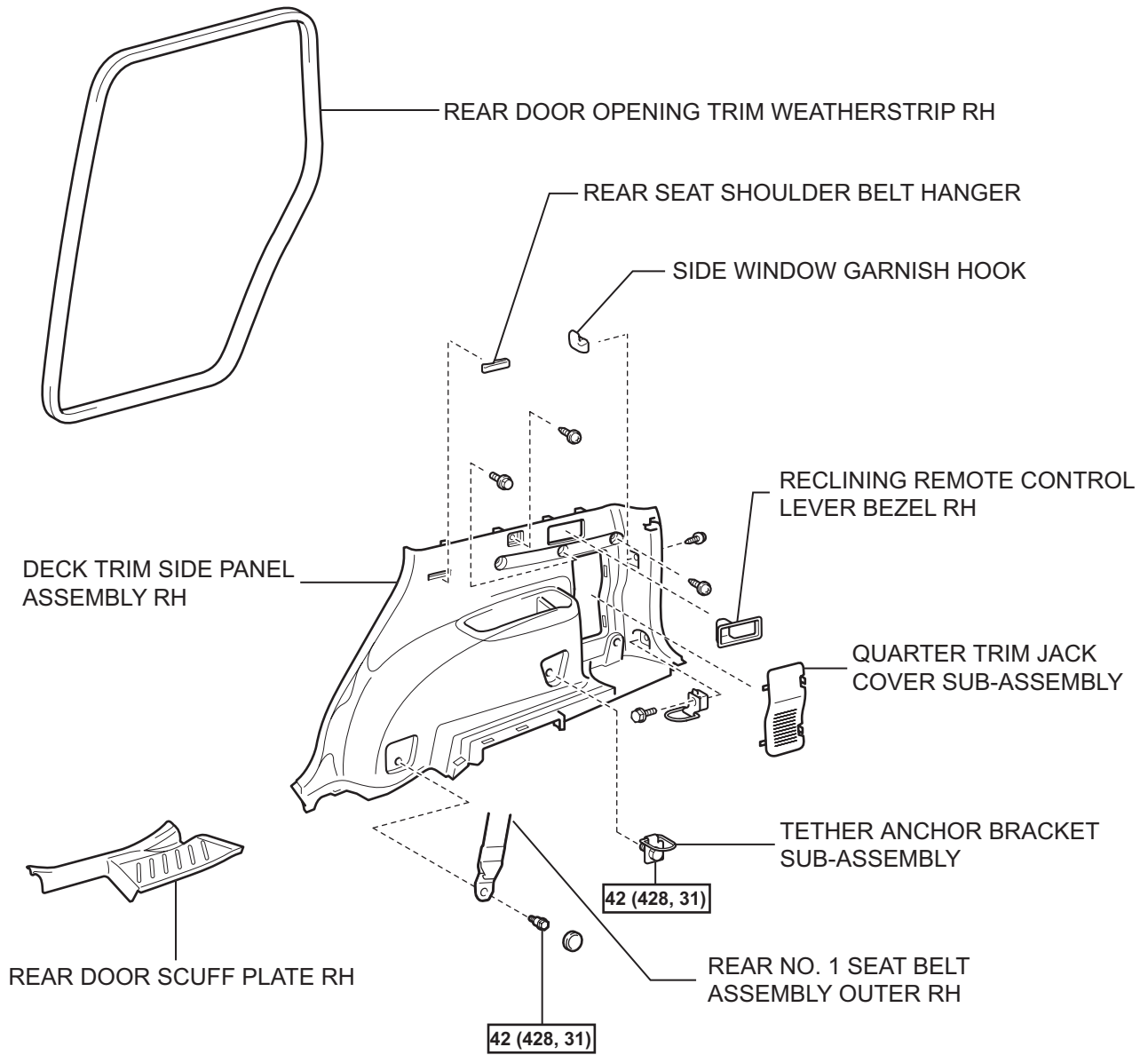
w/ Rear No. 2 Seat



IR

w/o Rear No. 2 Seat

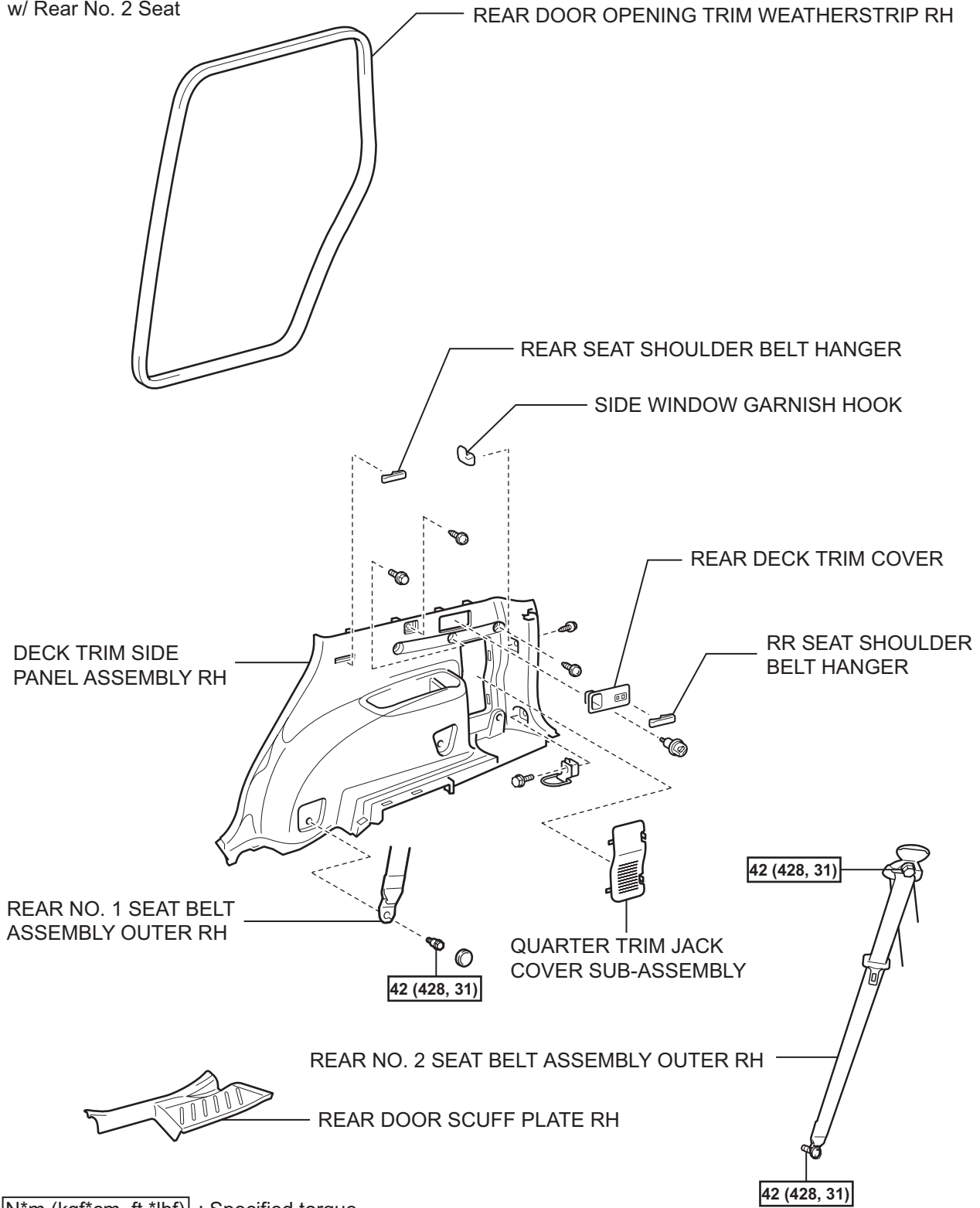
IR



N^*m (kgf*cm, ft.*lbf) : Specified torque

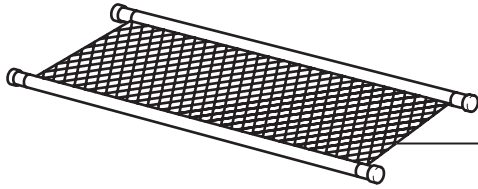
T

w/ Rear No. 2 Seat

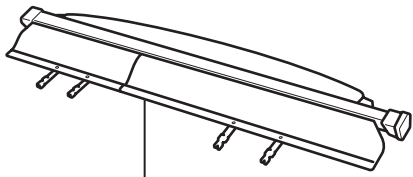


$\boxed{\text{N}^*\text{m (kgf}^*\text{cm, ft.}^*\text{lbf)}}$: Specified torque

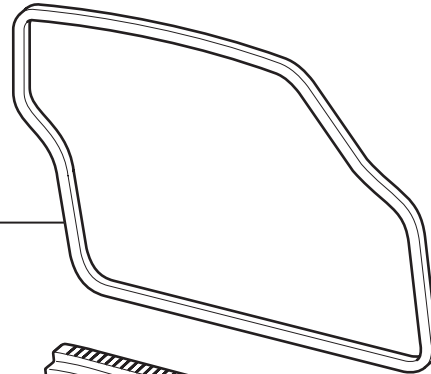
w/o Rear No. 2 Seat



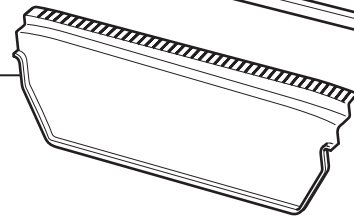
PACKAGE TRAY TRIM POCKET SUB-ASSEMBLY



TONNEAU COVER ASSEMBLY



BACK DOOR WEATHERSTRIP



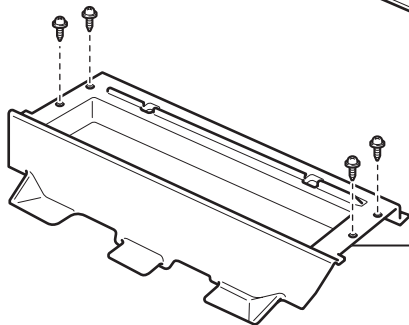
REAR FLOOR FINISH PLATE

DECK BOARD ASSEMBLY

REAR FLOOR NO. 2 BOARD

REAR FLOOR NO. 1 BOARD

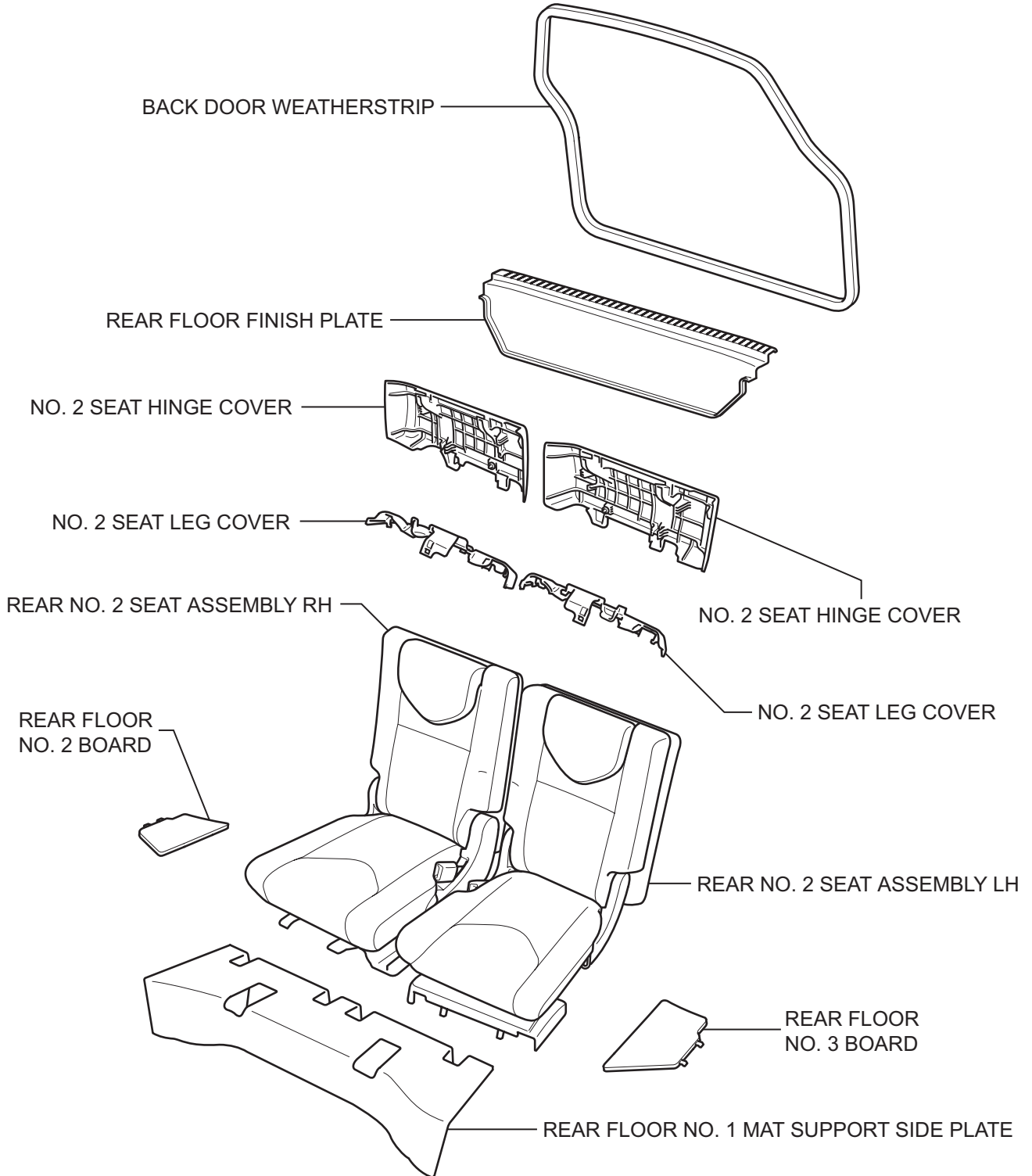
REAR FLOOR NO. 3 BOARD



REAR FLOOR NO. 1 MAT SUPPORT SIDE PLATE

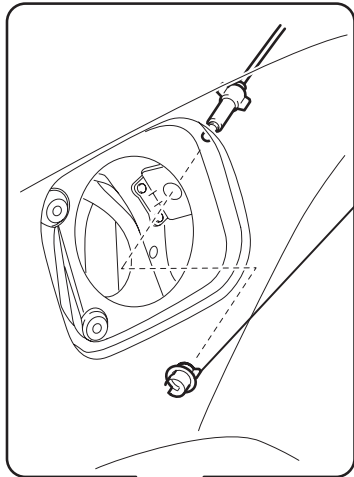
IR

w/ Rear No. 2 Seat



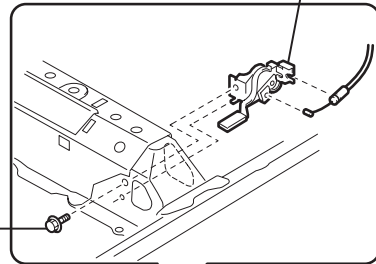
IR

IR

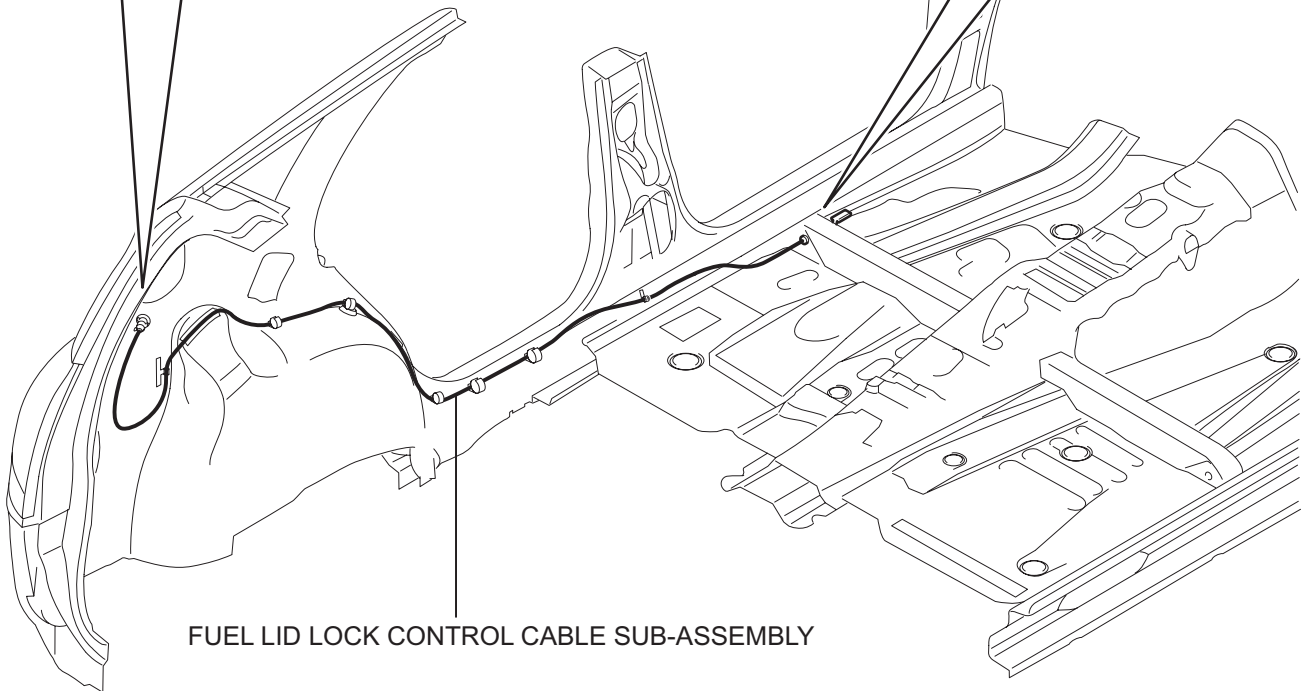


FUEL FILLER OPENING LID LOCK RETAINER

FUEL LID LOCK OPEN LEVER



8.0 (82, 71 in.*lbf)



FUEL LID LOCK CONTROL CABLE SUB-ASSEMBLY

N*m (kgf*cm, ft.*lbf) : Specified torque