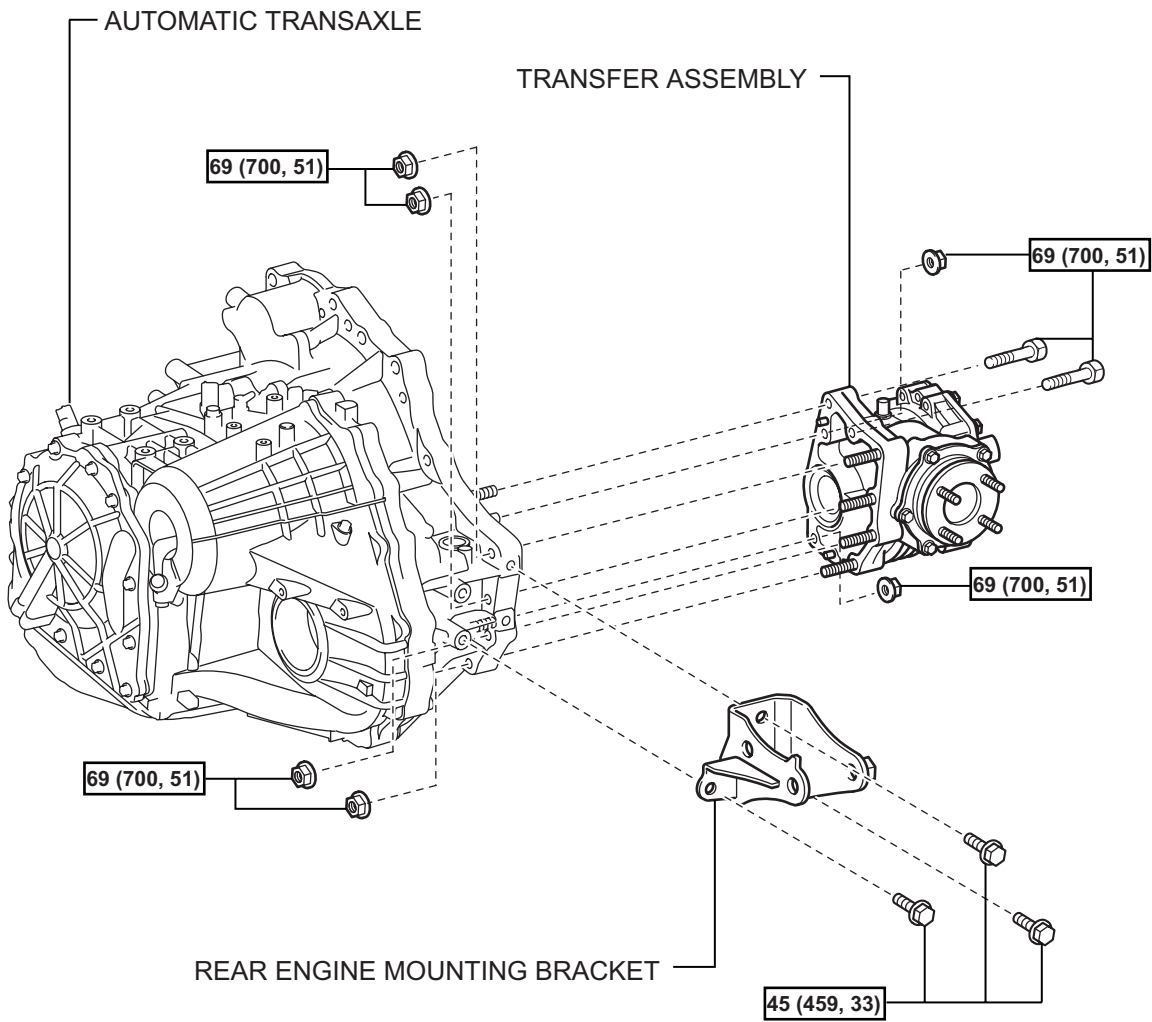


TRANSFER ASSEMBLY

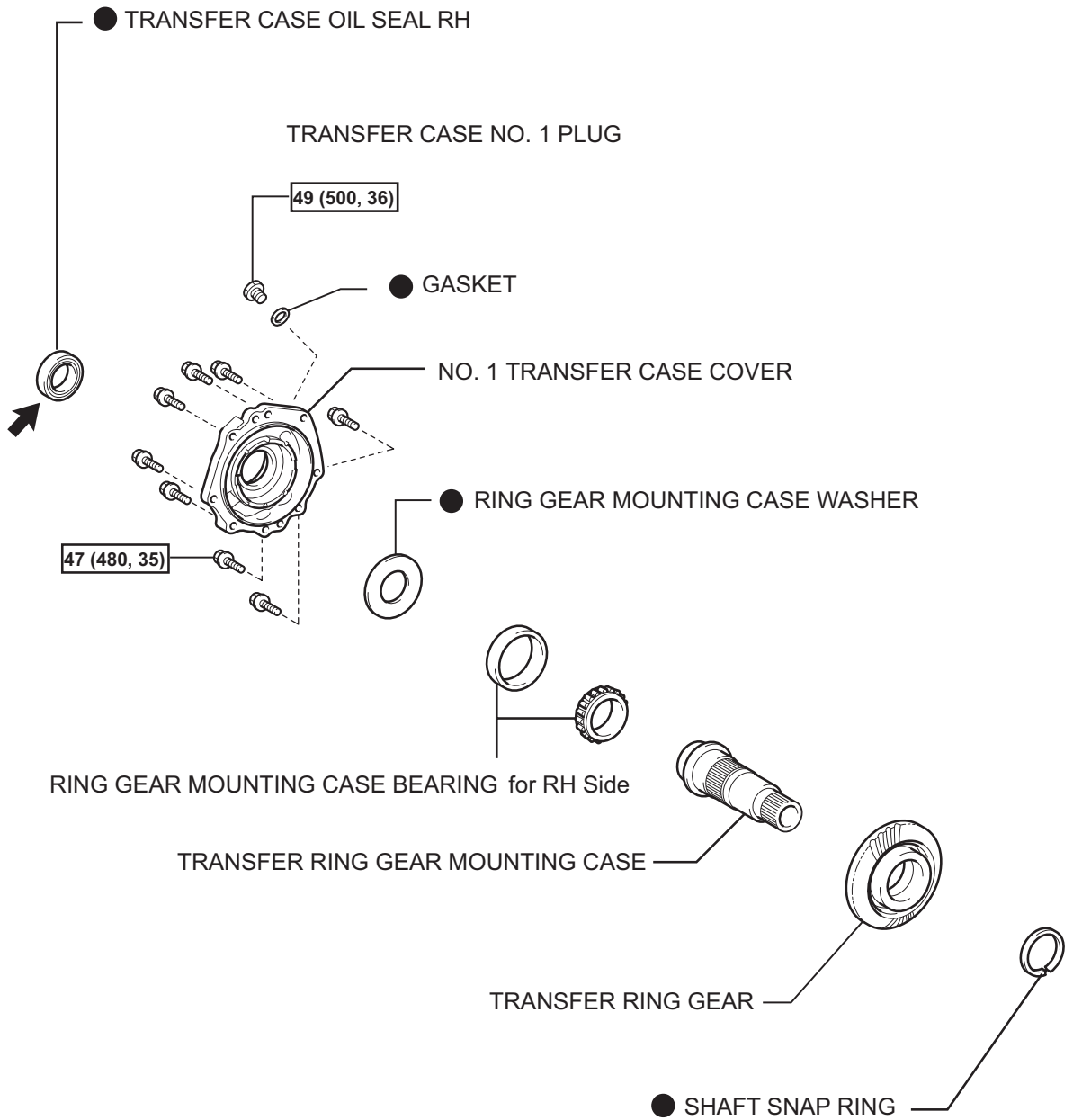
COMPONENTS

(2005/11-2006/01)

TF



N*m (kgf*cm, ft.*lbf) : Specified torque

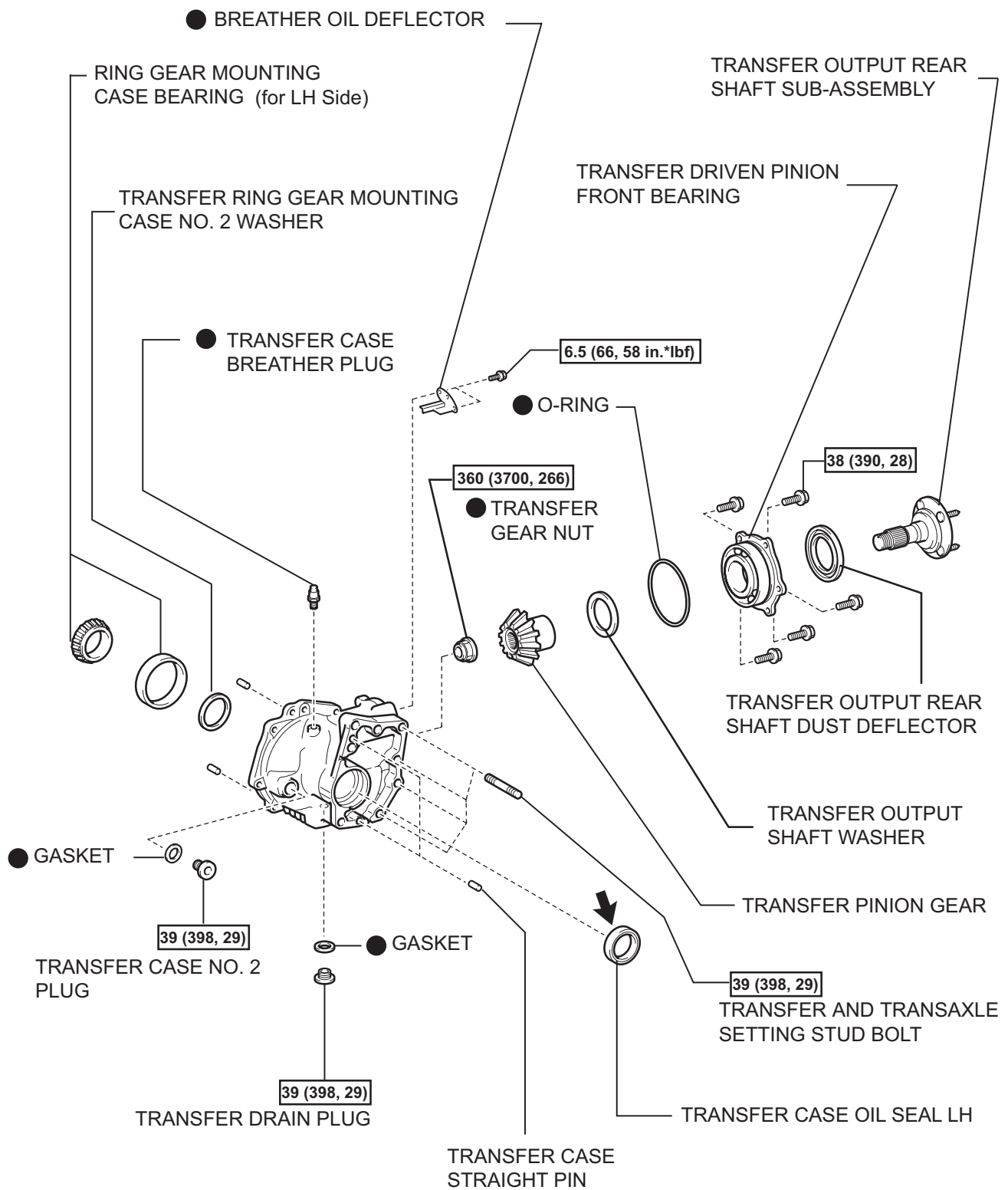


$\boxed{\text{N*m (kgf*cm, ft.*lbf)}}$: Specified torque

● Non-reusable part

← Apply MP grease

TF



$N \cdot m$ (kgf \cdot cm, ft. \cdot lbf) : Specified torque

● Non-reusable part

← MP grease