

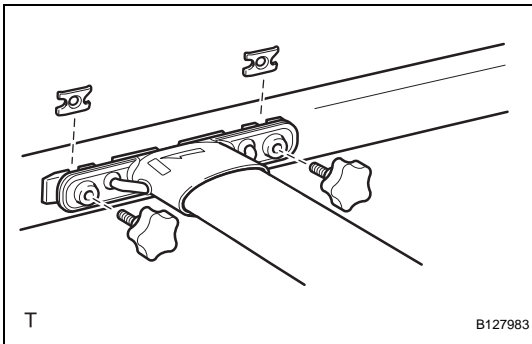
REMOVAL

HINT:

- Use the same procedures for the RH side and LH side.
- The procedures listed below are for the LH side.

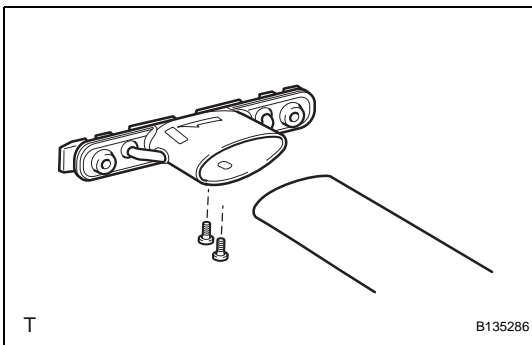
1. REMOVE ROOF RACK SUPPORT SUB-ASSEMBLY CENTER

- (a) Remove the 4 roof carrier caps and roof rack support center.



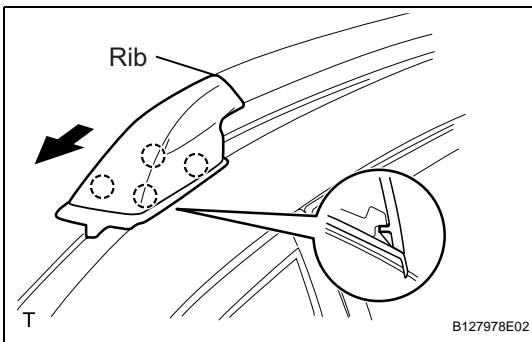
2. REMOVE ROOF RACK BAR FRONT

- (a) Remove the 4 screws and roof rack bar.



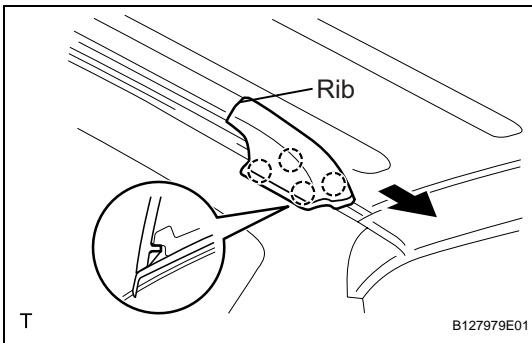
3. REMOVE ROOF RACK LEG COVER FRONT LH

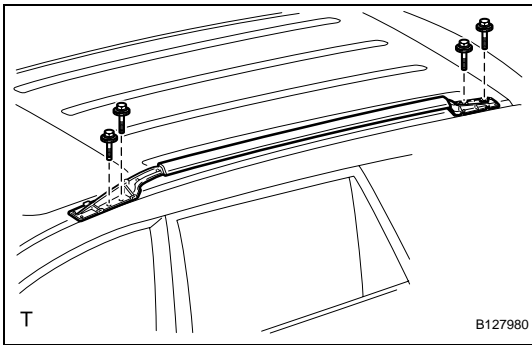
- (a) Remove the leg cover.
- (1) Using a screwdriver, detach the 4 claws.
HINT:
Tape the screwdriver tip before use.
 - (2) Detach the rib from the bar.



4. REMOVE ROOF RACK LEG COVER REAR LH

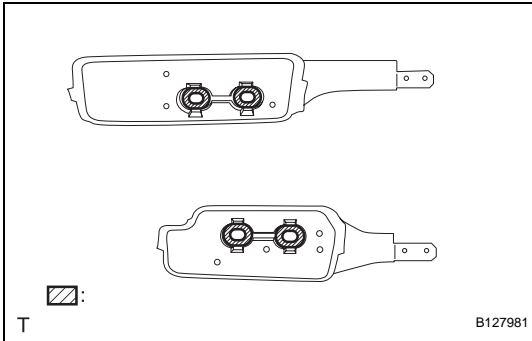
- (a) Remove the leg cover.
- (1) Using a screwdriver, detach the 4 claws.
HINT:
Tape the screwdriver tip before use.
 - (2) Detach the rib from the bar.



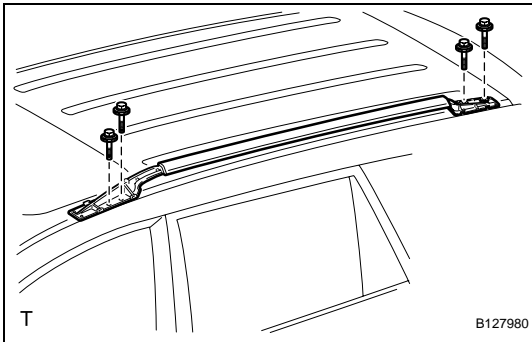


5. **REMOVE ROOF RACK ASSEMBLY LH**
Remove the 4 bolts and the roof rack.
6. **REMOVE ROOF RACK LEG FRONT LH**
 - (a) Remove the 2 screws and roof rack leg front.
 - (b) Remove the leg cushion front.
7. **REMOVE ROOF RACK LEG REAR LH**
 - (a) Remove the 2 screws and roof rack leg rear.
 - (b) Remove the leg cushion rear.

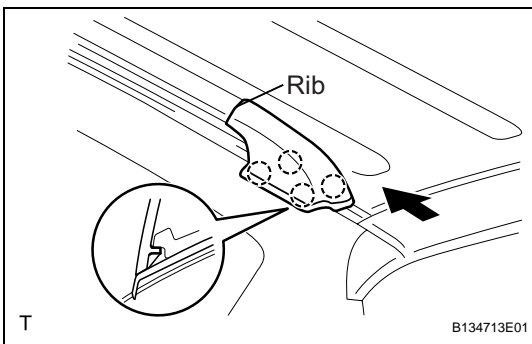
INSTALLATION



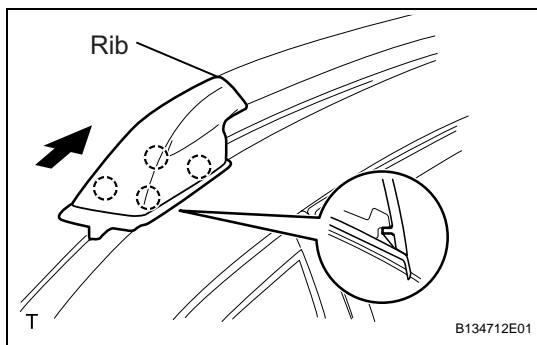
1. **REPLACE ROOF CARRIER SEAL**
 - (a) Remove the seals.
 - (b) Install new seals as shown in the illustration.
2. **INSTALL ROOF RACK LEG FRONT LH**
 - (a) Install the leg cushion front.
 - (b) Install the roof rack leg front with the 2 screws.
Torque: 2.8 to 5.0 N*m (29 to 51 kgf*cm, 25 to 44 in.*lbf)
3. **INSTALL ROOF RACK LEG REAR LH**
 - (a) Install the leg cushion rear.
 - (b) Install the roof rack leg rear with the 2 screws.
Torque: 2.8 to 5.0 N*m (29 to 51 kgf*cm, 25 to 44 in.*lbf)



4. **INSTALL ROOF RACK ASSEMBLY LH**
 - (a) Install the roof rack with the 4 bolts.
Torque: 38 N*m (387 kgf*cm, 28 ft.*lbf)

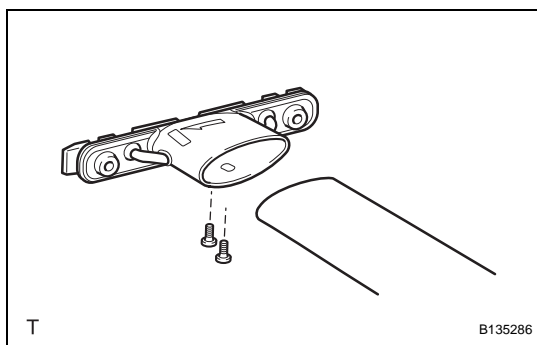


5. **INSTALL ROOF RACK LEG COVER REAR LH**
 - (a) Install the leg cover.
 - (1) Attach the rib to the bar.
 - (2) Attach the 4 claws.



6. INSTALL ROOF RACK LEG COVER FRONT LH

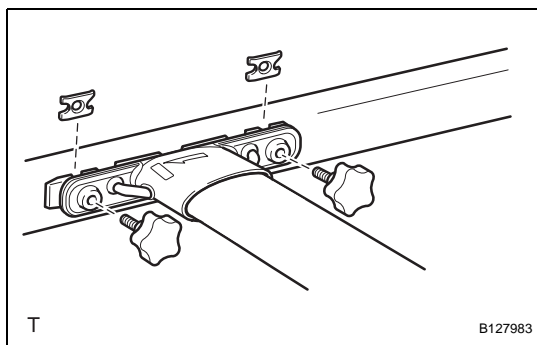
- (a) Install the leg cover.
- (1) Attach the rib to the bar.
 - (2) Attach the 4 claws.



7. INSTALL ROOF RACK BAR FRONT

- (a) Install the roof rack bar with the 4 screws.
- Torque: 1.96 to 2.94 N*m (20 to 30 kgf*cm, 17 to 26 in.*lbf)**

ET



8. INSTALL ROOF RACK SUPPORT SUB-ASSEMBLY CENTER

- (a) Install the roof rack support center with the 4 roof carrier caps.