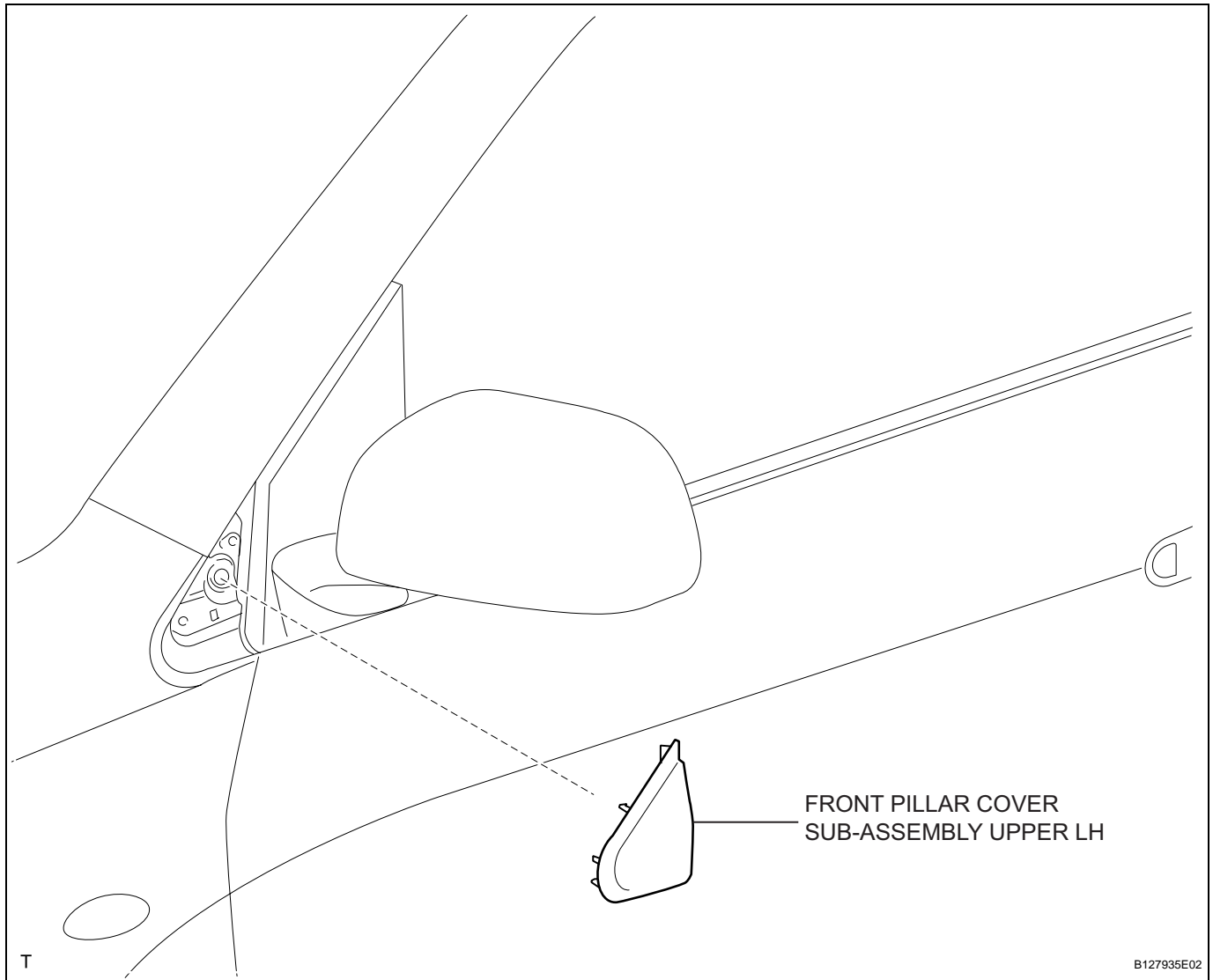


FRONT PILLAR UPPER COVER

COMPONENTS



ET

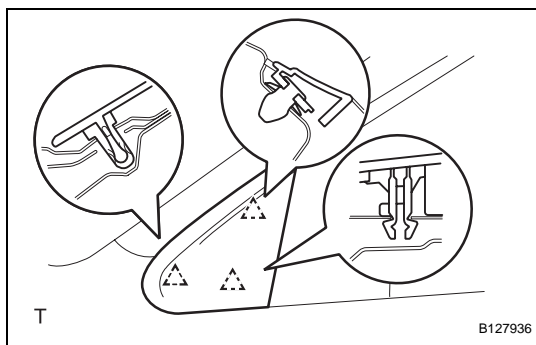
REMOVAL

HINT:

- Use the same procedures for the RH side and LH side.
- The procedures listed below are for the LH side.

1. REMOVE FRONT PILLAR COVER SUB-ASSEMBLY UPPER LH

- (a) Using a moulding remover, detach the 3 clips and remove the pillar cover.



ET