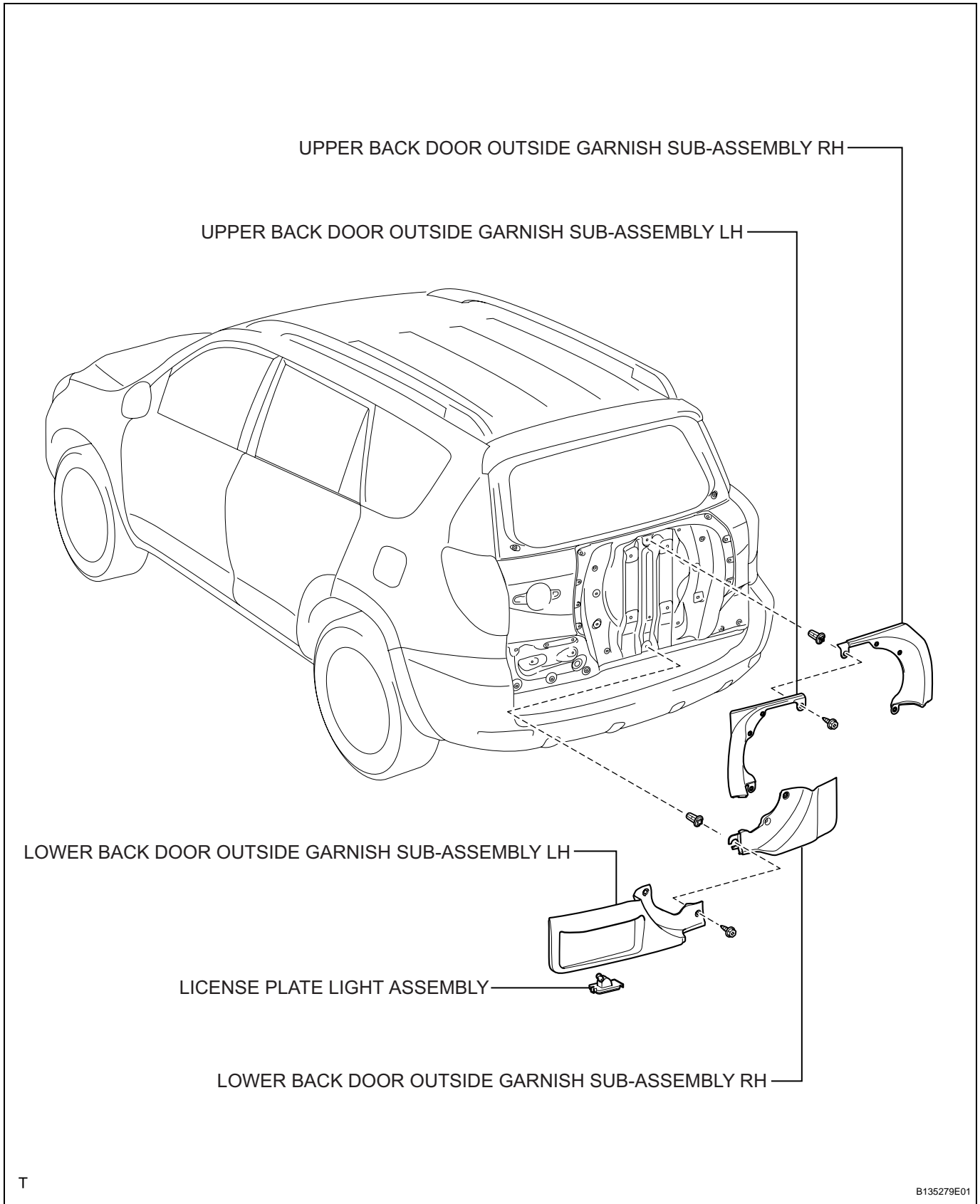


BACK DOOR OUTSIDE GARNISH

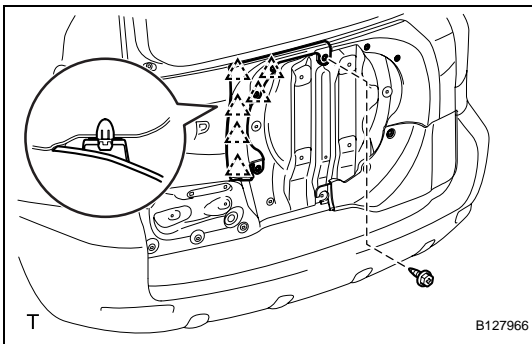
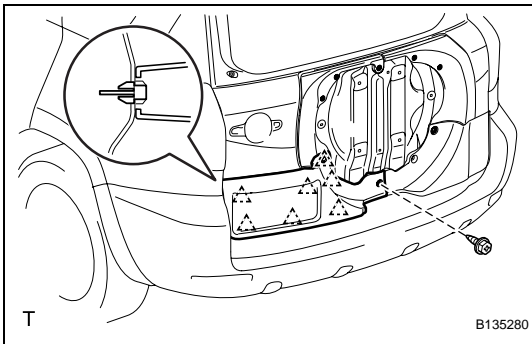
COMPONENTS



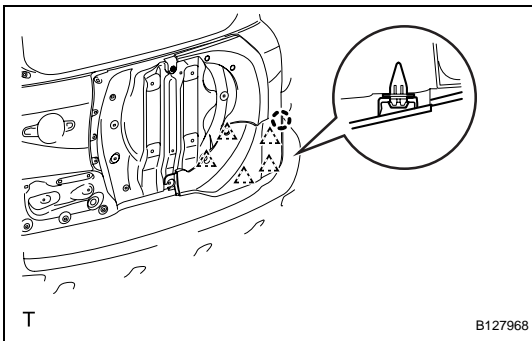
ET

REMOVAL

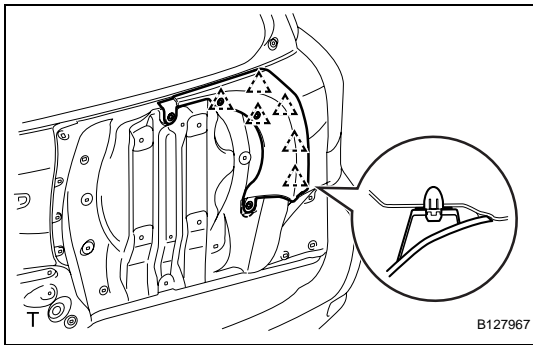
1. **DISCONNECT CABLE FROM NEGATIVE BATTERY TERMINAL**
CAUTION:
 Wait at least 90 seconds after disconnecting the cable from the negative (-) battery terminal to prevent airbag and seat belt pretensioner activation.
2. **REMOVE BACK DOOR CENTER GARNISH** (See page [ED-59](#))
3. **REMOVE BACK DOOR SIDE GARNISH LH** (See page [ED-59](#))
4. **REMOVE BACK DOOR SIDE GARNISH RH** (See page [ED-59](#))
5. **REMOVE BACK DOOR COURTESY LIGHT SWITCH ASSEMBLY** (See page [LI-122](#))
6. **REMOVE BACK DOOR TRIM BOARD** (See page [ED-59](#))
7. **REMOVE LOWER BACK DOOR OUTSIDE GARNISH SUB-ASSEMBLY LH**
 - (a) Remove the screw and the 7 clips.
 - (b) Remove the back door outside garnish and disconnect the connector.
 - (c) Remove the license plate light (see page [LI-110](#)).



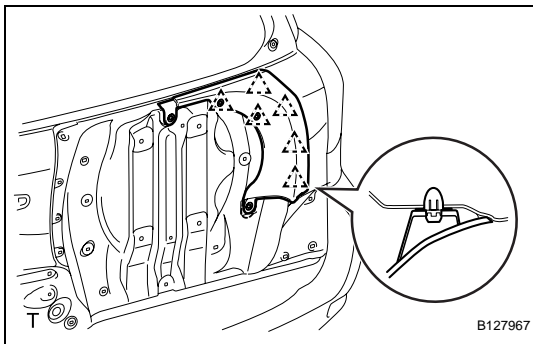
8. **REMOVE UPPER BACK DOOR OUTSIDE GARNISH SUB-ASSEMBLY LH**
 - (a) Remove the screw and the 6 clips.
 - (b) Remove the back door outside garnish.



9. **REMOVE LOWER BACK DOOR OUTSIDE GARNISH SUB-ASSEMBLY RH**
 - (a) Remove the 5 clips and detach the claw.
 - (b) Remove the back door outside garnish.

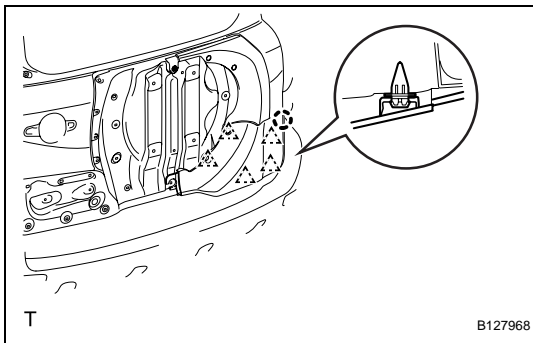


- 10. REMOVE UPPER BACK DOOR OUTSIDE GARNISH SUB-ASSEMBLY RH**
 (a) Remove the 6 clips and back door outside garnish.

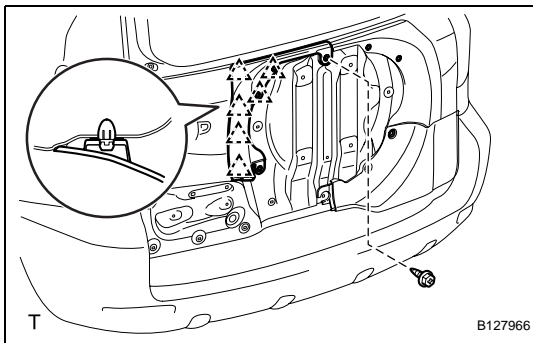


INSTALLATION

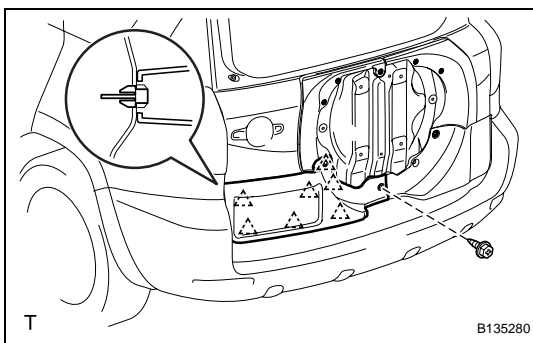
- 1. INSTALL UPPER BACK DOOR OUTSIDE GARNISH SUB-ASSEMBLY RH**
 (a) Attach the 6 clips to install the back door outside garnish.



- 2. INSTALL LOWER BACK DOOR OUTSIDE GARNISH SUB-ASSEMBLY RH**
 (a) Install the back door outside garnish.
 (b) Attach the claw and 5 clips.



- 3. INSTALL UPPER BACK DOOR OUTSIDE GARNISH SUB-ASSEMBLY LH**
 (a) Attach the 6 clips to install the back door outside garnish.
 (b) Install the screw.



- 4. INSTALL LOWER BACK DOOR OUTSIDE GARNISH SUB-ASSEMBLY LH**
 (a) Install the license plate light (see page [LI-111](#)).
 (b) Connect the connector.
 (c) Attach the 7 clips to install the back door outside garnish.
 (d) Install the screw.
- 5. INSTALL BACK DOOR TRIM BOARD (See page [ED-66](#))**

6. **INSTALL BACK DOOR COURTESY LIGHT SWITCH ASSEMBLY (See page [LI-123](#))**
7. **INSTALL BACK DOOR SIDE GARNISH LH (See page [ED-67](#))**
8. **INSTALL BACK DOOR SIDE GARNISH RH (See page [ED-67](#))**
9. **INSTALL BACK DOOR GARNISH CENTER (See page [ED-67](#))**
10. **CONNECT CABLE TO NEGATIVE BATTERY TERMINAL**