

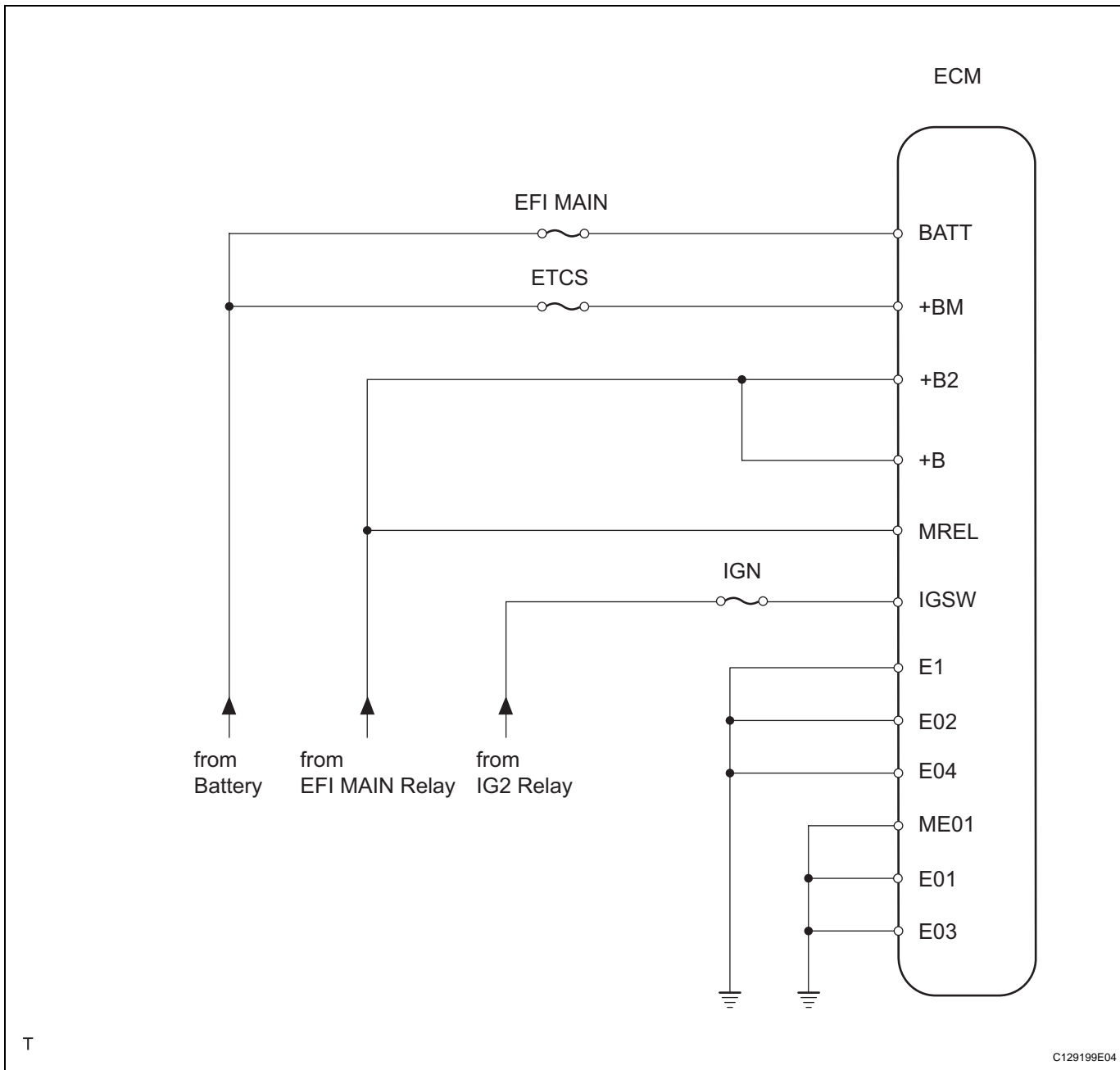
ECM Communication Stop Mode

(2005/11-2006/01)

DESCRIPTION

Detection Item	Symptom	Trouble Area
ECM COMMUNICATION STOP MODE	<ul style="list-style-type: none"> ENGINE is not displayed on "BUS CHECK" screen of intelligent tester Applies to "ECM COMMUNICATION STOP MODE" in "DTC COMBINATION TABLE" 	<ul style="list-style-type: none"> Power source or inside ECM ECM main wire and connector ECM

WIRING DIAGRAM



INSPECTION PROCEDURE

NOTICE:

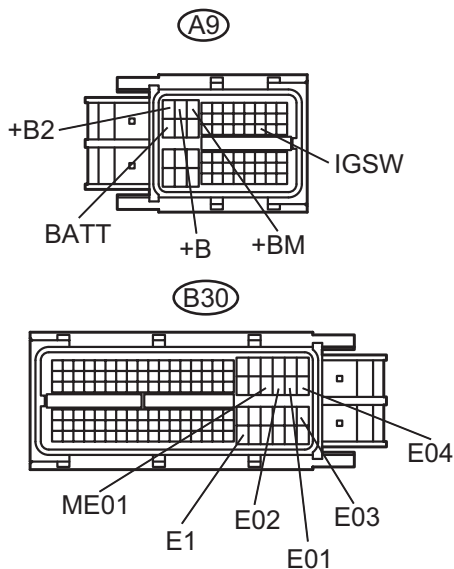
- Turn the ignition switch OFF before measuring the resistances of the main wire and the branch wire.
- After the ignition switch is turned OFF, check that the key reminder warning system and light reminder warning system are not in operation.
- Before measuring the resistance, leave the vehicle for at least 1 minute and do not operate the ignition switch, any switches or doors. If doors need to be opened in order to check connectors, open the doors and leave them open.

HINT:

Operating the ignition switch, any switches or any doors triggers related ECU and sensor communication with the CAN, which causes resistance variation.

1 CHECK WIRE HARNESS (ECM - BATTERY AND BODY GROUND)

Wire Harness Side



C130526E01

- (a) Disconnect the A9 and B30 ECM connectors.
 (b) Measure the resistance of the wire harness side connector.

Standard resistance

Tester Connection	Specified Condition
B30-104 (E1) - Body ground	Below 1 Ω
B30-45 (E01) - Body ground	Below 1 Ω
B30-44 (E02) - Body ground	Below 1 Ω
B30-86 (E03) - Body ground	Below 1 Ω
B30-46 (E04) - Body ground	Below 1 Ω
B30-43 (ME01) - Body ground	Below 1 Ω

- (c) Measure the voltage of the wire harness side connector.
Standard voltage

Tester Connection	Condition	Specified Condition
A9-1 (+B2) - Body ground	When battery's positive (+) voltage is applied to terminal MREL	10 to 14 V
A9-2 (+B) - Body ground	When battery's positive (+) voltage is applied to terminal MREL	10 to 14 V
A9-3 (+BM) - Body ground	Always	10 to 14 V
A9-20 (BATT) - Body ground	Always	10 to 14 V
A9-28 (IGSW) - Body ground	Ignition switch ON	10 to 14 V

NG

REPAIR OR REPLACE HARNESS AND CONNECTOR

OK

REPLACE ECM

CA