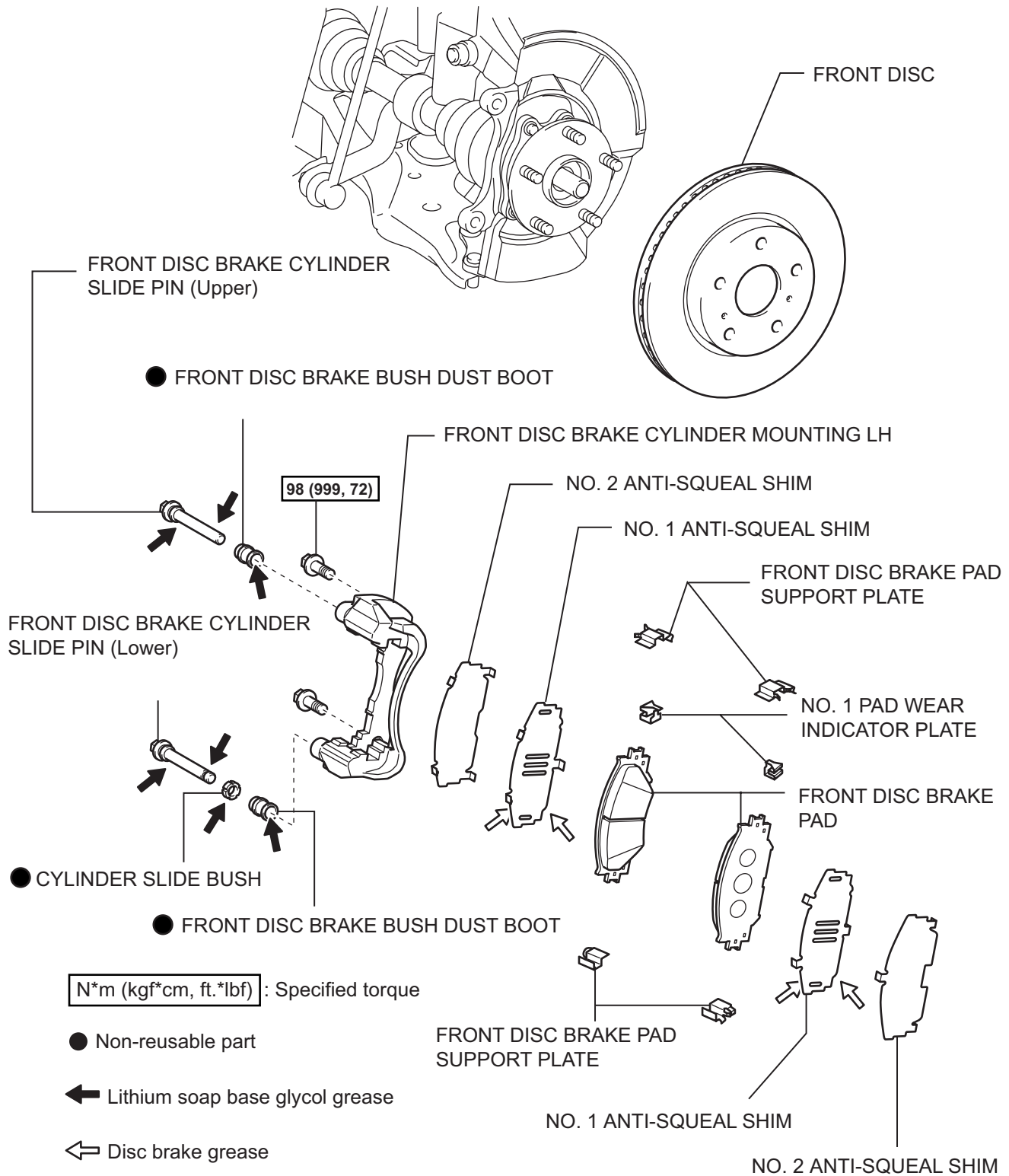


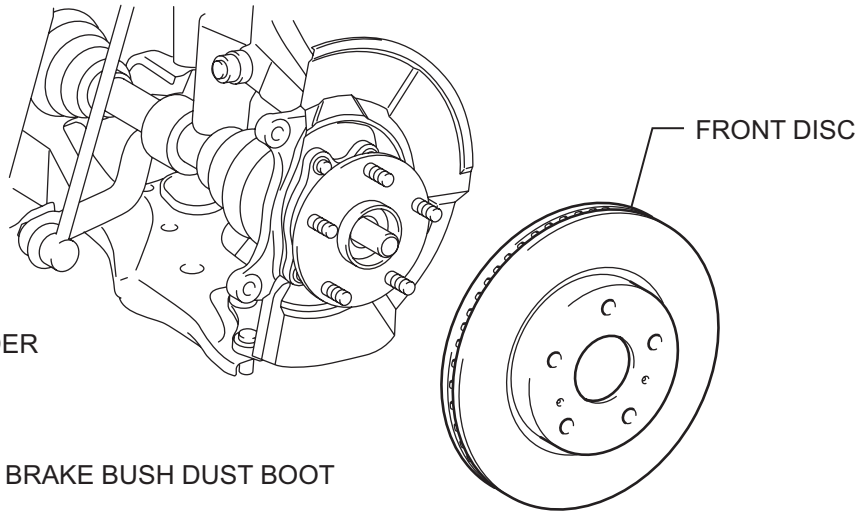
FRONT BRAKE COMPONENTS

w/ ϕ 275 Disc Brake



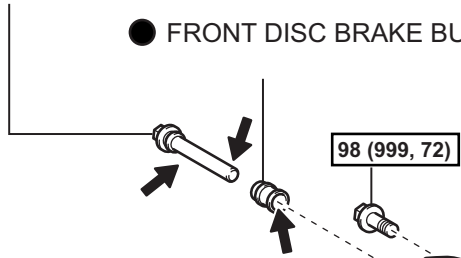
BR

w/ ϕ 296 Disc Brake



FRONT DISC BRAKE CYLINDER SLIDE PIN (Upper)

● FRONT DISC BRAKE BUSH DUST BOOT



FRONT DISC BRAKE CYLINDER MOUNTING LH

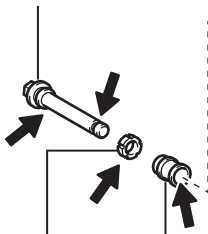
NO. 2 ANTI-SQUEAL SHIM

NO. 1 ANTI-SQUEAL SHIM

FRONT DISC BRAKE PAD SUPPORT PLATE

BR

FRONT DISC BRAKE CYLINDER SLIDE PIN (Lower)



NO. 1 PAD WEAR INDICATOR PLATE

FRONT DISC BRAKE PAD

● CYLINDER SLIDE BUSH

● FRONT DISC BRAKE BUSH DUST BOOT

FRONT DISC BRAKE PAD SUPPORT PLATE

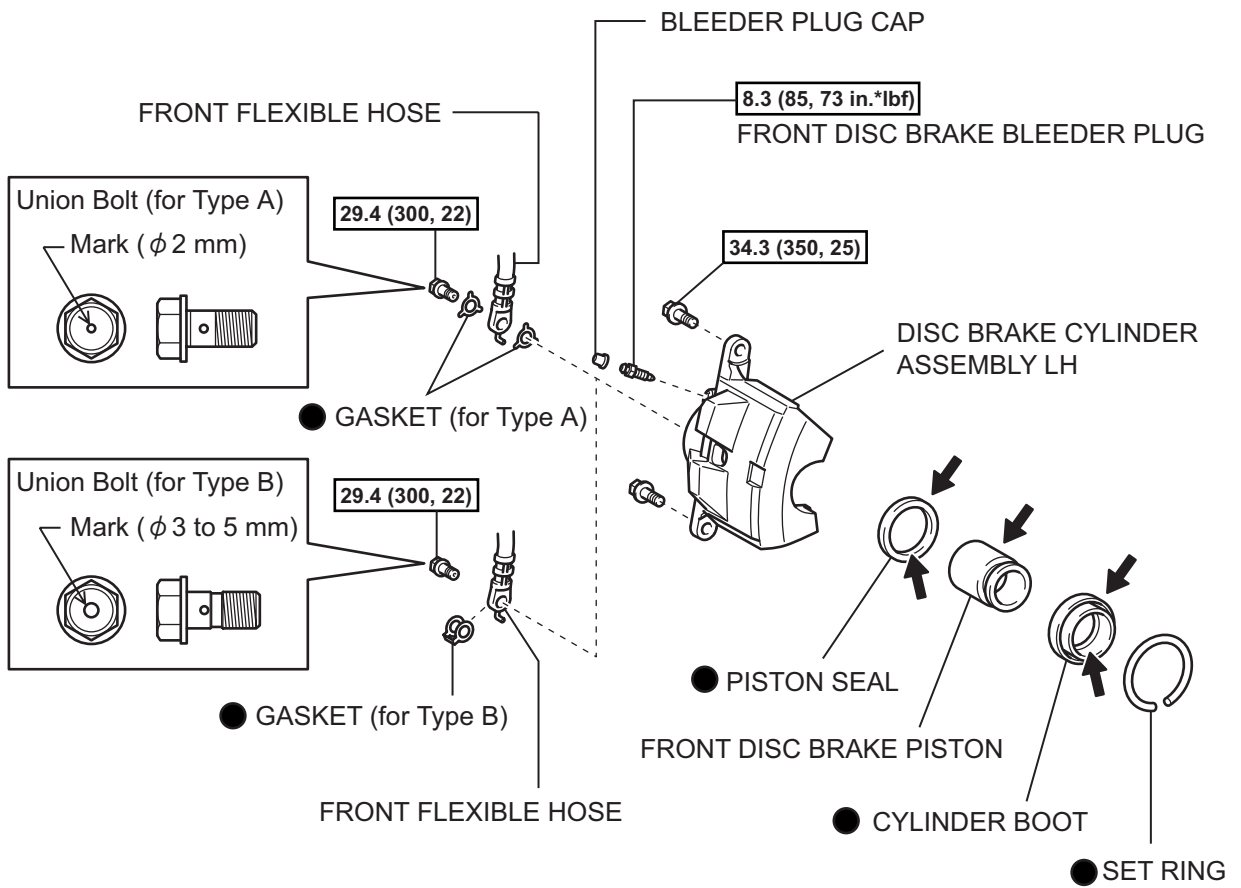
NO. 1 ANTI-SQUEAL SHIM

NO. 2 ANTI-SQUEAL SHIM

N*m (kgf*cm, ft.*lbf) : Specified torque

● Non-reusable part

← Lithium soap base glycol grease



N*m (kgf*cm, ft.*lbf) : Specified torque

● Non-reusable part

← Lithium soap base glycol grease

BR