

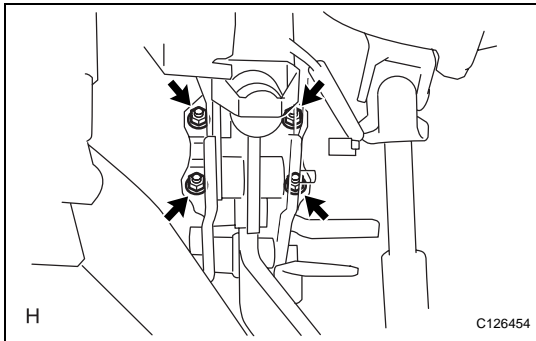
REASSEMBLY

1. **INSTALL BRAKE PEDAL PAD**
 - (a) Install the pad to the pedal.
2. **INSTALL STOP LIGHT SWITCH MOUNTING ADJUSTER**
 - (a) Install a new adjuster to the support.

INSTALLATION

1. **INSTALL BRAKE PEDAL SUPPORT ASSEMBLY**
 - (a) Install the support with the 4 nuts.

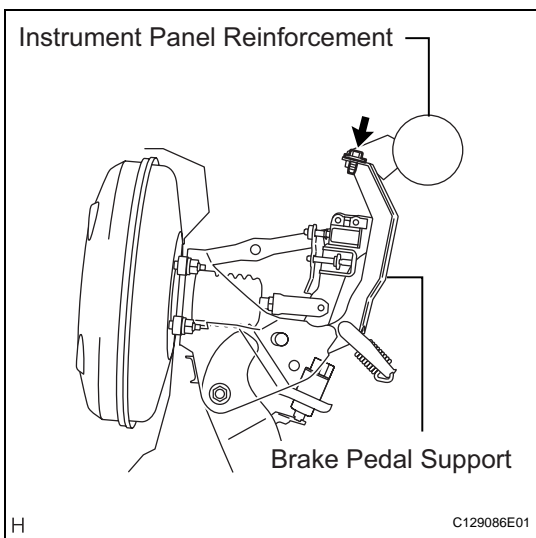
Torque: 12.7 N*m (130 kgf*cm, 9 ft.*lbf)



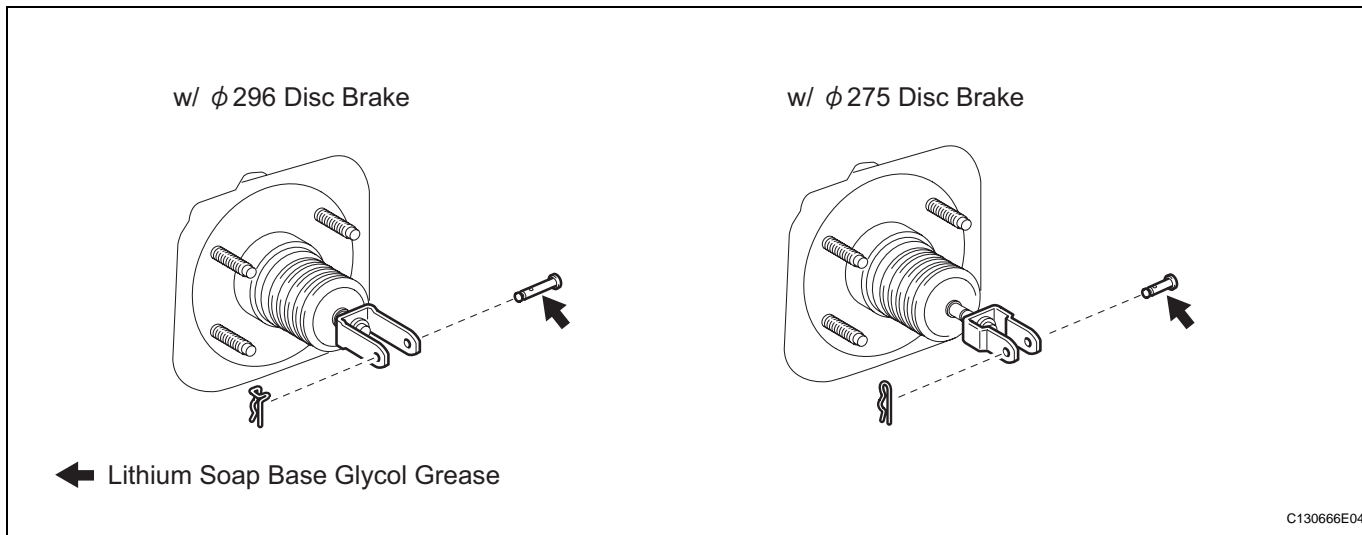
- (b) Install the bolt to the support.

Torque: 25 N*m (255 kgf*cm, 18 ft.*lbf)

2. **INSTALL PUSH ROD PIN**

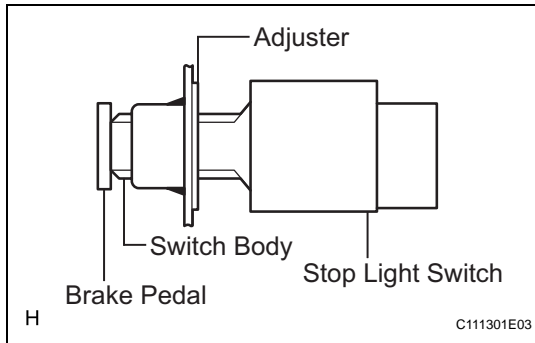


BR



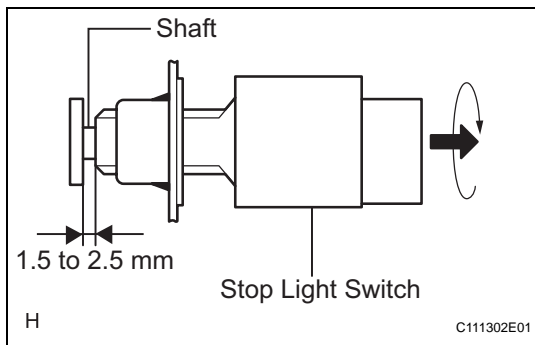
- (a) Apply lithium soap base glycol grease to the push rod pin.

- (b) Install the push rod pin to the push rod clevis.
NOTICE:
The push rod pin must be installed as shown in the illustration.
- (c) Install the clip to the push rod pin.
NOTICE:
The clip must be installed as shown in the illustration.



3. INSTALL STOP LIGHT SWITCH ASSEMBLY

- (a) Insert the switch into the adjuster until the switch body touches the pedal.
NOTICE:
Do not depress the pedal.



- (b) Turn the switch a quarter turn clockwise.
Torque: 1.5 N*m (15 kgf*cm, 13 in.*lbf) or less
NOTICE:
Do not depress the pedal.
- (c) Check the switch clearance.
Standard stop light switch clearance:
1.5 to 2.5 mm (0.059 to 0.098 in.)

4. CONNECT CONNECTORS

- (a) w/ $\phi 296$ disc brake:
Connect the brake pedal load sensing switch connector.
- (b) Connect the stop light switch connector.

5. CHECK AND ADJUST BRAKE PEDAL HEIGHT (See page BR-13)

6. CHECK BRAKE PEDAL FREE PLAY (See page BR-14)

7. CHECK BRAKE PEDAL RESERVE DISTANCE (See page BR-14)

8. INSTALL INSTRUMENT PANEL SUB-ASSEMBLY

- (a) Install the instrument panel (see page IP-9).

9. CONNECT CABLE TO NEGATIVE BATTERY TERMINAL