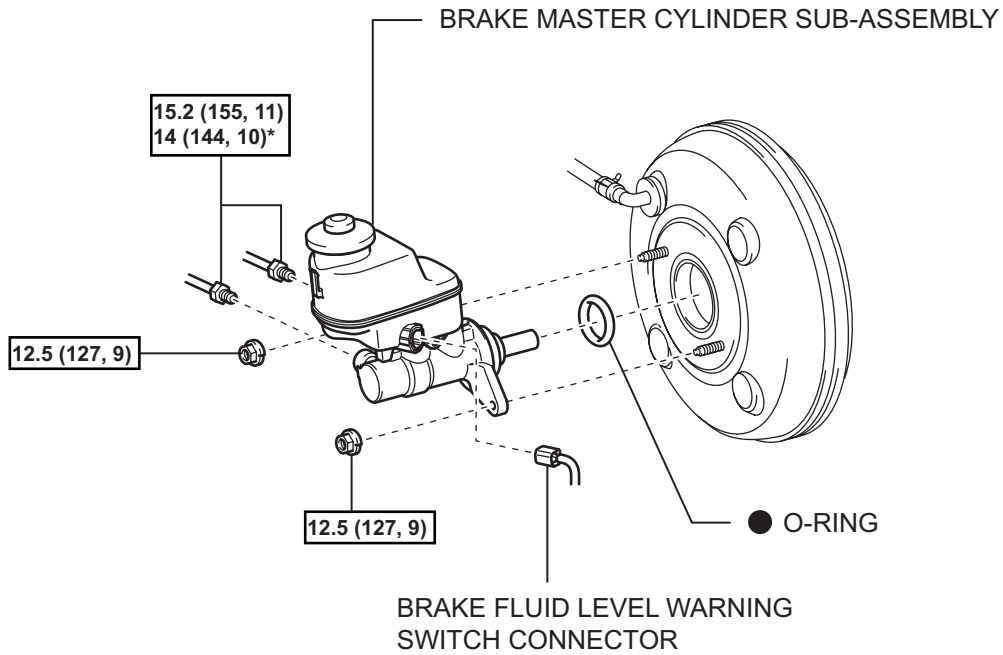


BRAKE MASTER CYLINDER

COMPONENTS



N^*m (kgf*cm, ft.*lbf) : Specified torque

● Non-reusable part

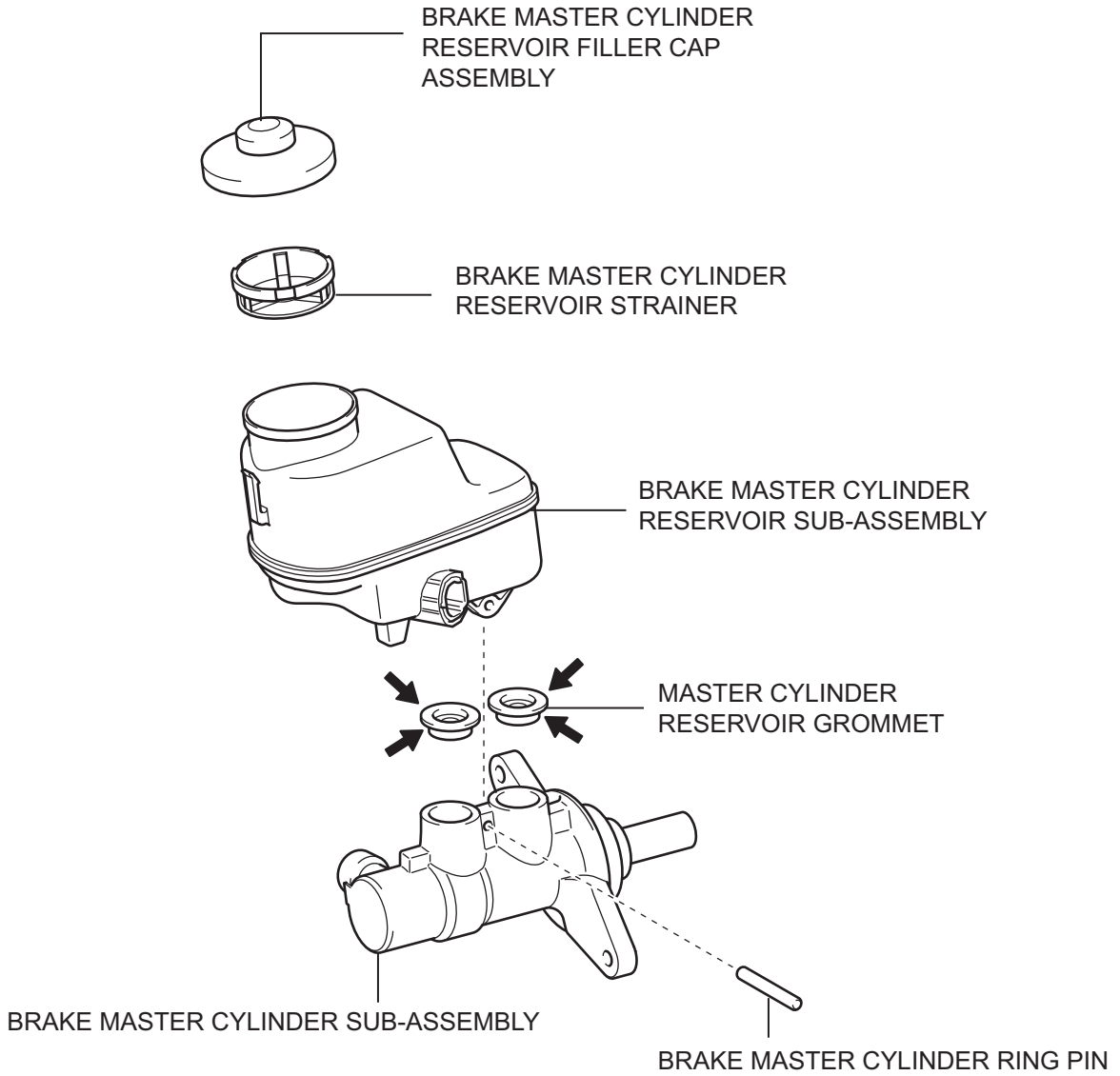
* For use with SST

H

C128553E03

BR

BR



← Lithium soap base glycol grease

H