
INSPECTION

1. INSPECT REAR SPEED SENSOR

- (a) Check the speed sensor. If any of the following occurs, replace the speed sensor with a new one.
- The surface of the speed sensor is cracked, dented, or chipped off.
 - The connector or wire harness is scratched, cracked, or damaged.
 - The speed sensor has been dropped.

INSTALLATION

HINT:

- Use the same procedures for the LH side and RH side.
- The procedures listed below are for the LH side.

1. INSTALL REAR SPEED SENSOR LH

NOTICE:

To prevent interference with other parts, do not twist the sensor wire's painted line areas when installing it.

- (a) Install the sensor (labeled A) with the bolt (labeled B).

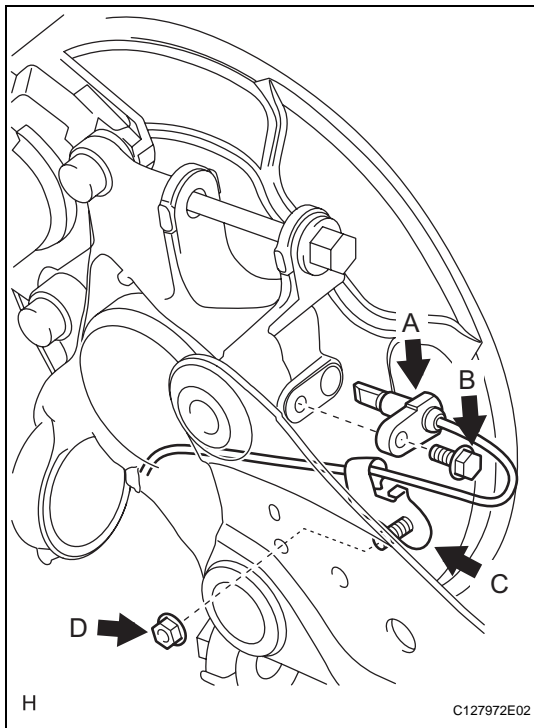
Torque: 8.5 N*m (87 kgf*cm, 75 in.*lbf)

NOTICE:

- Keep the sensor tip and sensor installation hole free from foreign matter.
- To prevent interference with the bearing rotor, do not rotate the sensor body when inserting the sensor body or after inserting the sensor body.

- (b) Install the sensor clamp (labeled C) with the nut (labeled D).

Torque: 5.0 N*m (51 kgf*cm, 44 in.*lbf)



- (c) Install the sensor clamps (labeled E) with the 2 nuts (labeled F).

Torque: 5.0 N*m (51 kgf*cm, 44 in.*lbf)

NOTICE:

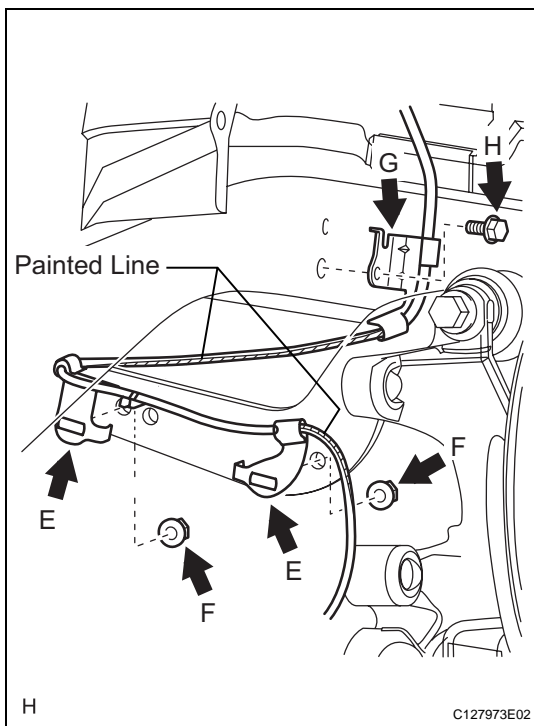
Do not twist the sensor wire when installing the clamps.

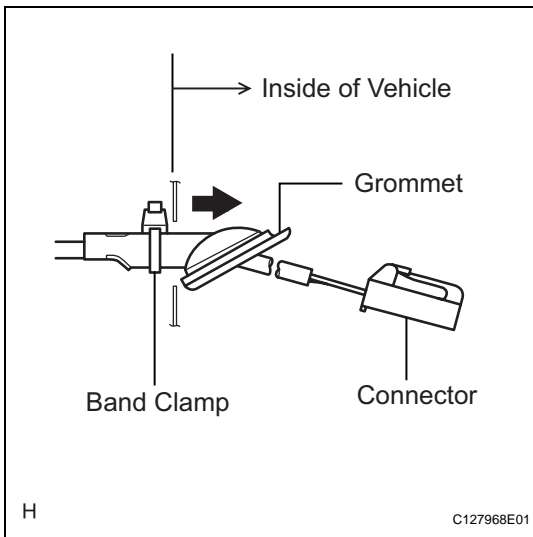
- (d) Install the sensor clamp (labeled G) with the bolt (labeled H).

Torque: 8.5 N*m (87 kgf*cm, 75 in.*lbf)

NOTICE:

Do not twist the sensor wire when installing the clamp.

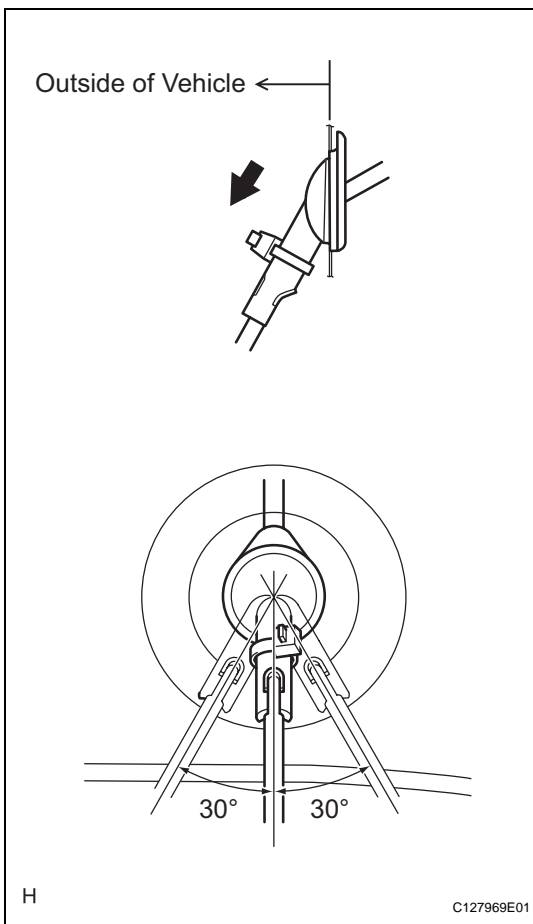




- (e) Insert the connector and grommet to the inside of the vehicle through the passage hole in the wheel house.

NOTICE:

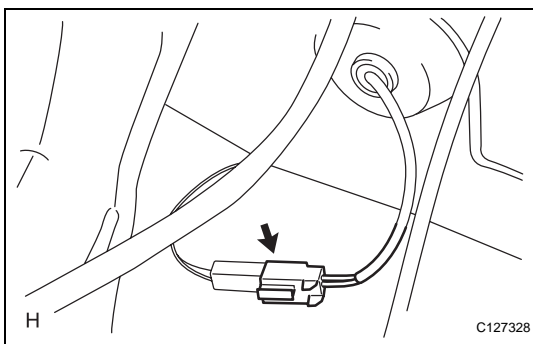
Make sure the grommet's band clamp remains on the outside of the vehicle.



- (f) Hold the grommet and pull it from the inside of the vehicle to the outside of the vehicle. Then fix it in place so that it is not tilted.

NOTICE:

- When pulling out the grommet, do not grip the sensor wire.
- Fix the grommet in place within the range shown in the illustration.



- (g) Connect the speed sensor connector.

2. INSTALL DECK TRIM SIDE PANEL ASSEMBLY LH

- (a) Install the deck trim side panel LH (see page [IR-49](#)).

HINT:

Refer to the procedures from the installation of the deck trim side panel LH up until the installation of the rear door scuff plate LH.

3. INSTALL REAR WHEEL

Torque: 103 N*m (1,050 kgf*cm, 76 ft.*lbf)

4. **CONNECT CABLE TO NEGATIVE BATTERY TERMINAL**
5. **CHECK SPEED SENSOR SIGNAL**
 - (a) Check the speed sensor signal (see page [BC-28](#)).