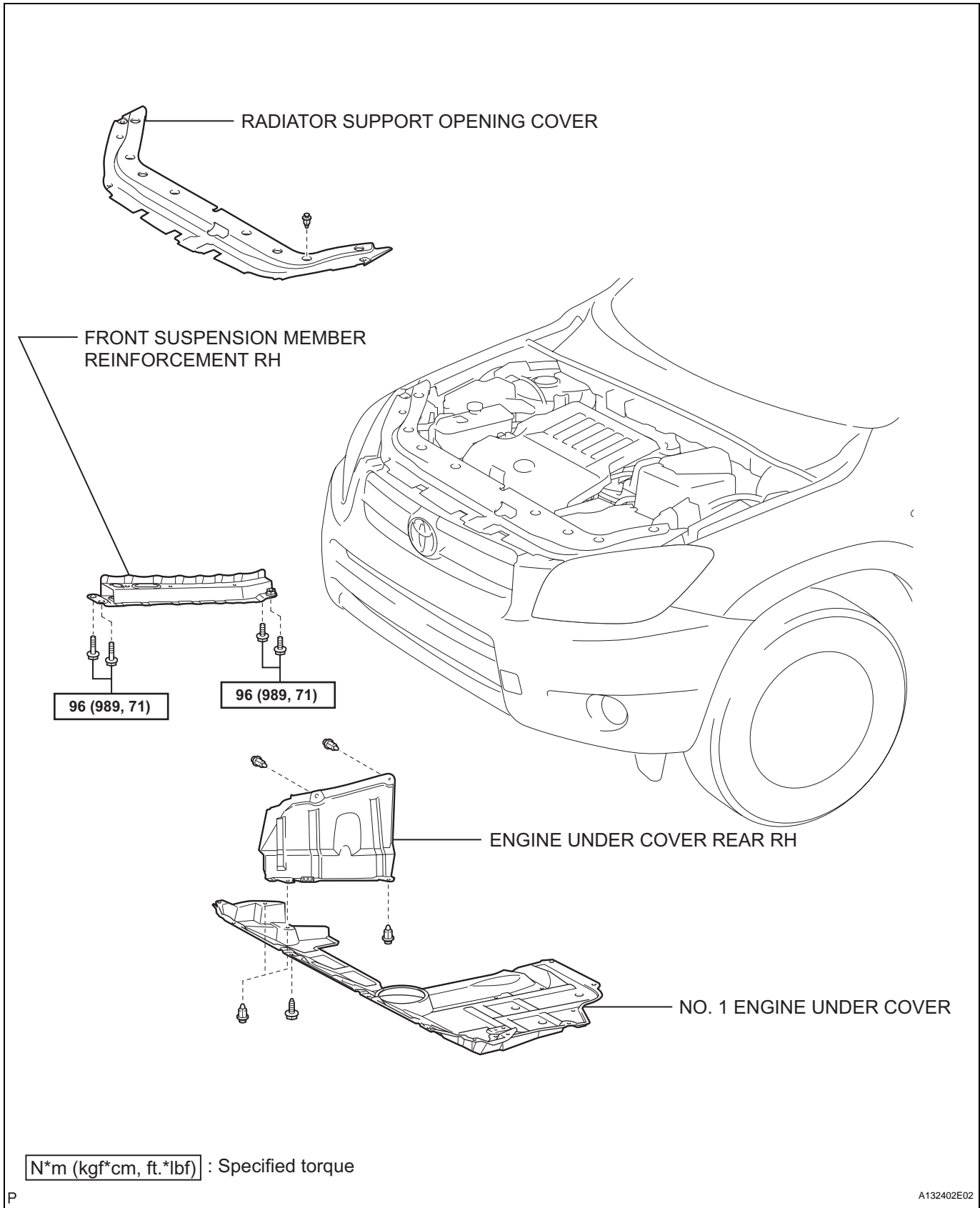
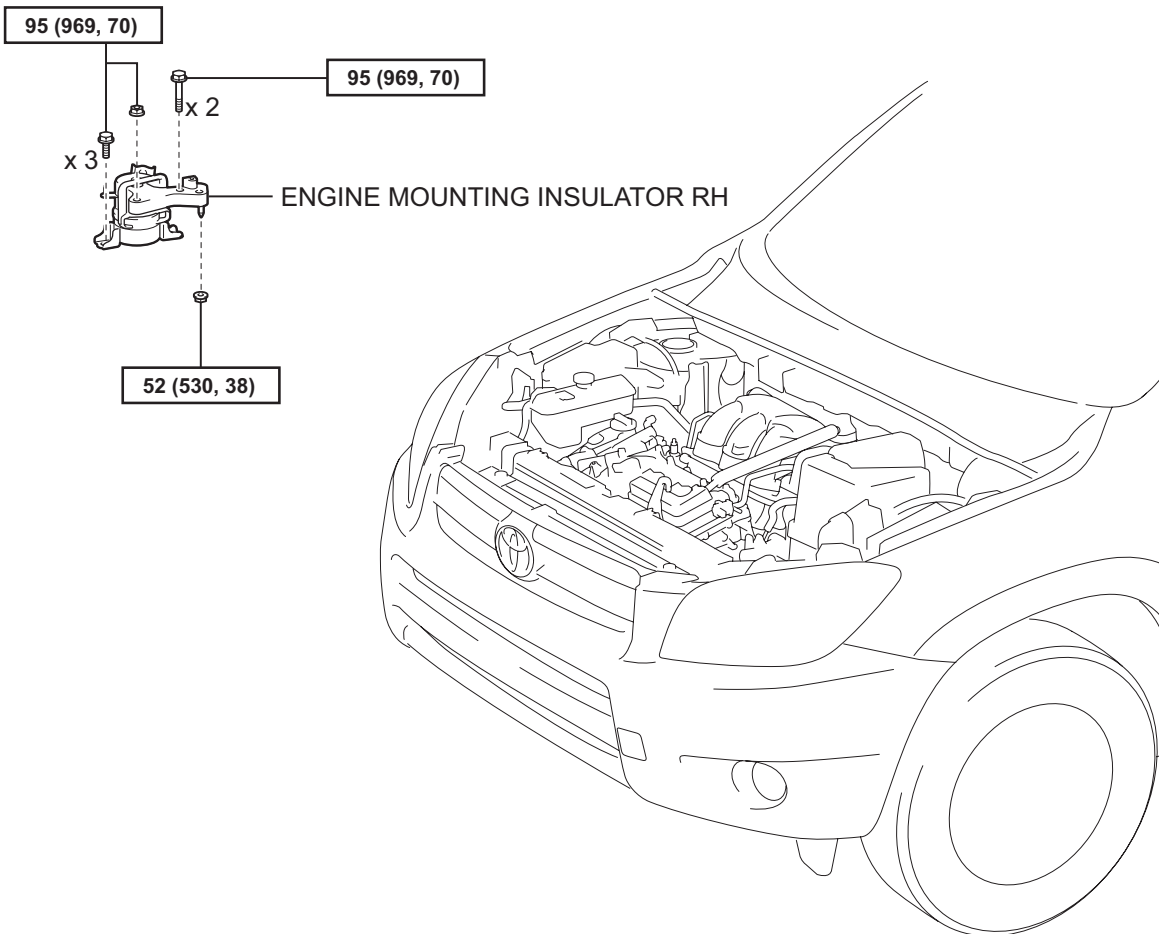
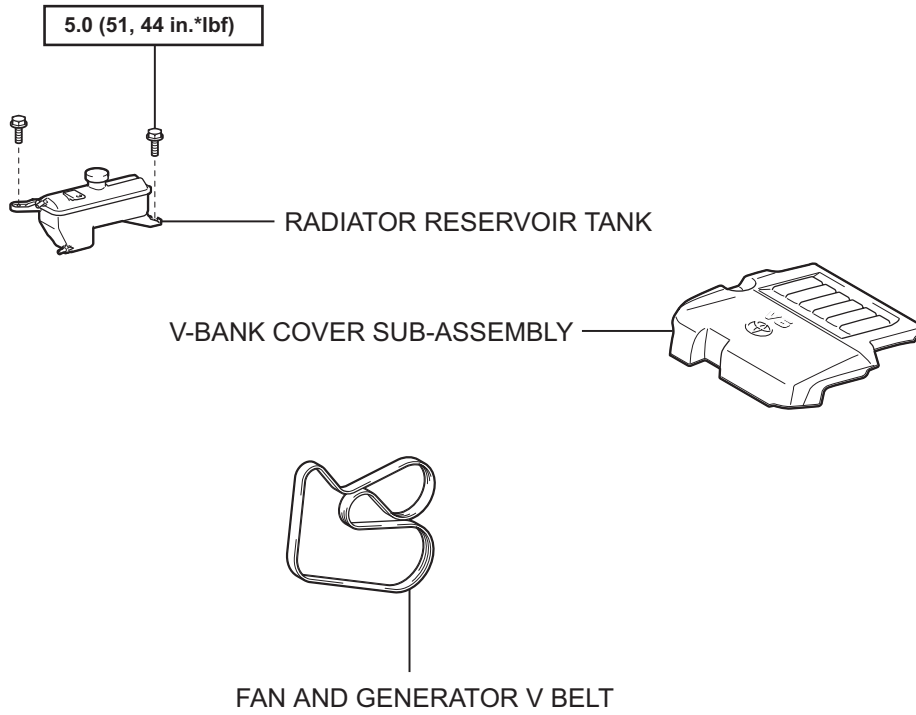


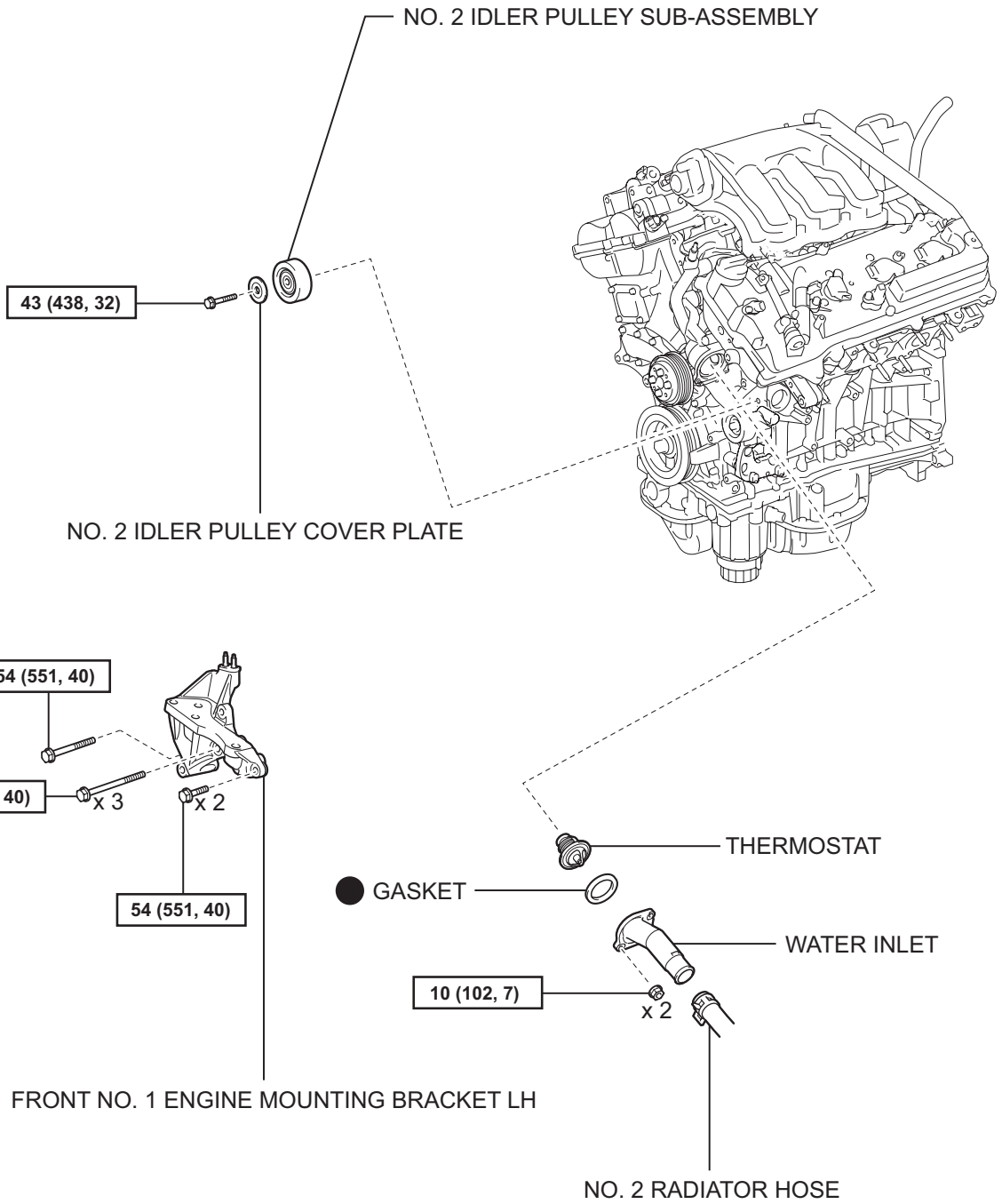
# THERMOSTAT COMPONENTS





N\*m (kgf\*cm, ft.\*lbf) : Specified torque

CO



$N \cdot m$  (kgf $\cdot$ cm, ft. $\cdot$ lbf) : Specified torque

● Non-reusable part