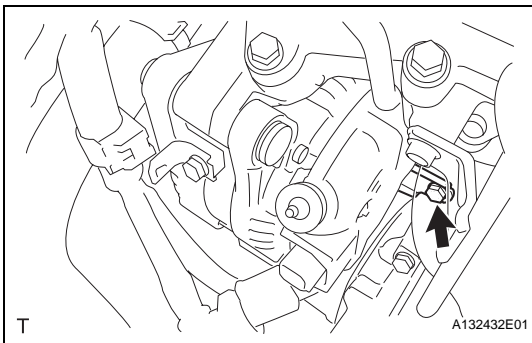
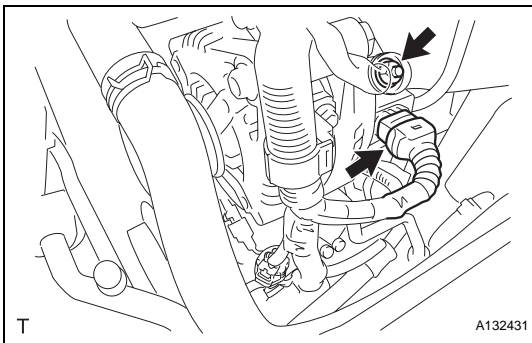
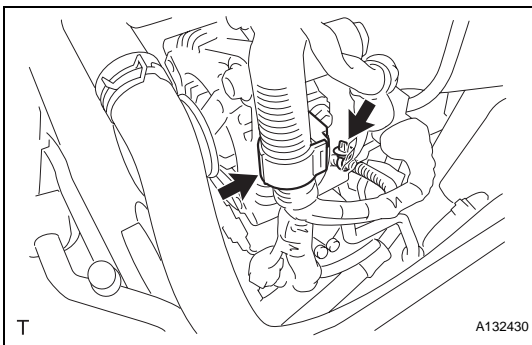


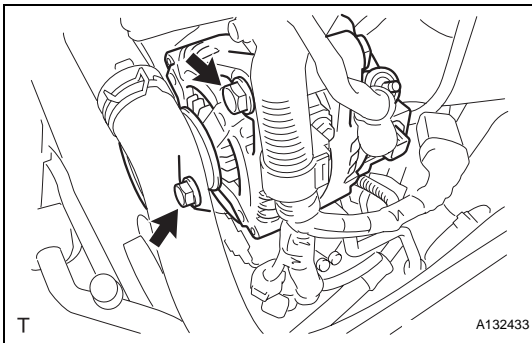
REMOVAL

1. **REMOVE RADIATOR ASSEMBLY**
 - (a) Remove the radiator (see page [CO-36](#)).
2. **REMOVE FRONT WHEEL RH**
3. **REMOVE ENGINE UNDER COVER REAR RH (See page [EM-21](#))**
4. **REMOVE FRONT SUSPENSION MEMBER REINFORCEMENT RH (See page [EM-7](#))**
5. **REMOVE RADIATOR RESERVOIR TANK (See page [CO-19](#))**
6. **REMOVE FAN AND GENERATOR V BELT (See page [EM-8](#))**
7. **REMOVE GENERATOR ASSEMBLY**
 - (a) Disconnect the 2 wire harness clamps.



- (b) Remove the terminal cap.
- (c) Remove the nut and disconnect the generator wire from terminal B.
- (d) Disconnect the generator connector from the generator.
- (e) Remove the bolt from the cylinder block.

- (f) Remove the 2 bolts and generator.



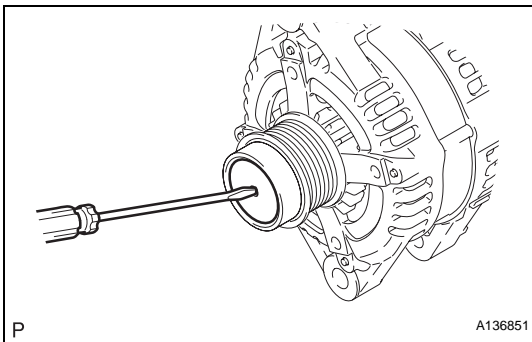
DISASSEMBLY

1. REMOVE GENERATOR PULLEY WITH CLUTCH

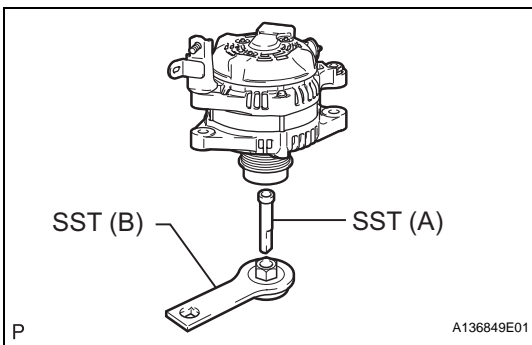
- (a) Using a screwdriver, puncture the center of the cap and pry it off the pulley.

NOTICE:

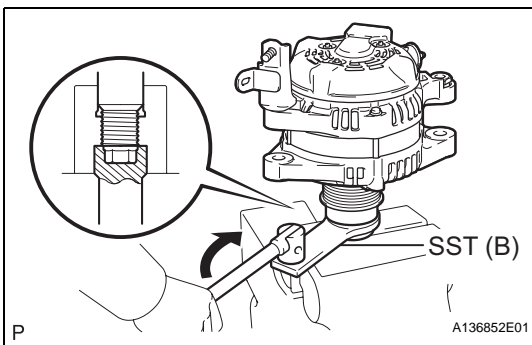
Do not reuse the cap.



- (b) Install SST to the pulley as shown in the illustration.
SST 09820-63020
- (c) Mount SST (A) in a vise.

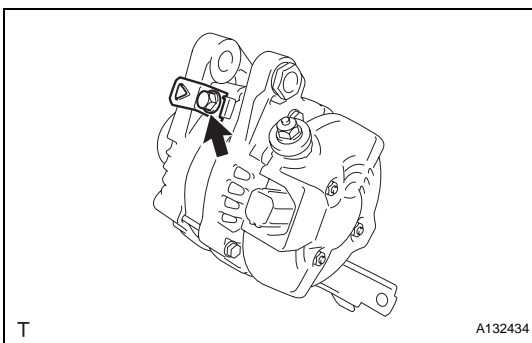


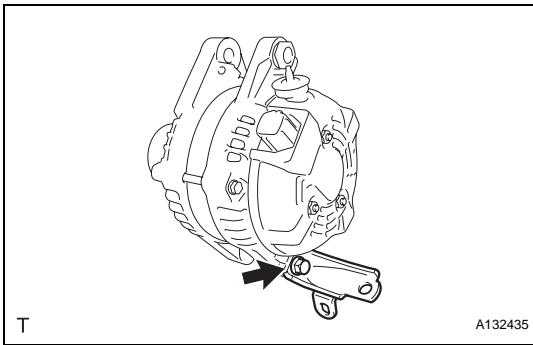
- (d) Turn SST (B) clockwise to loosen the pulley.
(e) Remove the pulley.



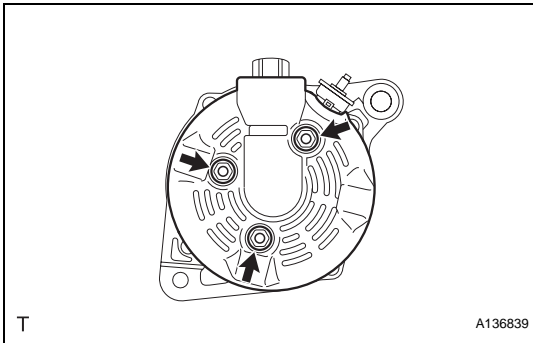
2. REMOVE GENERATOR BRUSH HOLDER ASSEMBLY

- (a) Remove the bolt and wire harness clamp stay.

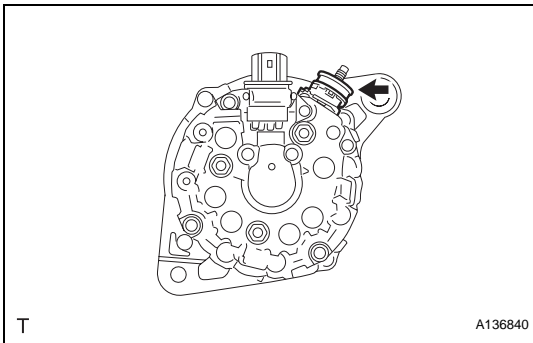




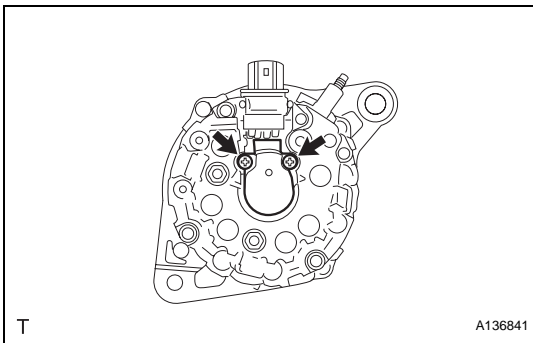
(b) Remove the bolt and bracket.



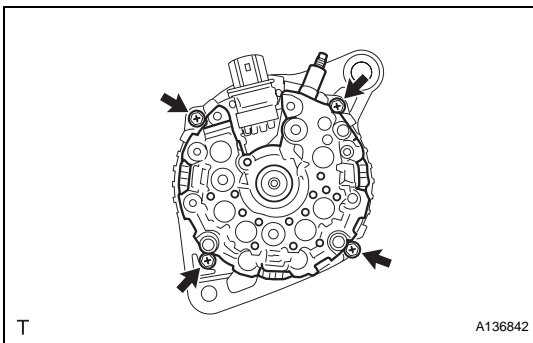
(c) Remove the 3 nuts and generator rear end cover.



(d) Remove the terminal insulator.

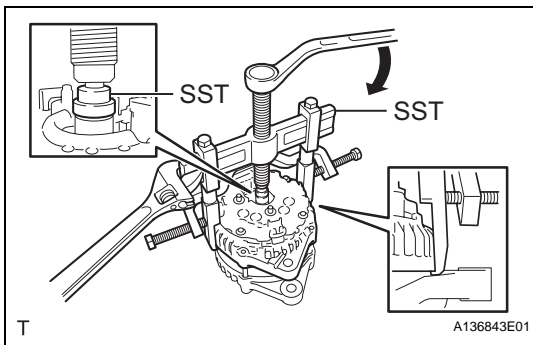


(e) Remove the 2 screws and generator brush holder.



3. REMOVE GENERATOR ROTOR ASSEMBLY

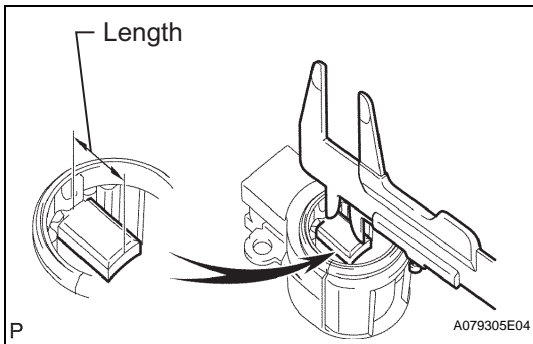
(a) Remove the 4 bolts.



- (b) Using SST, remove the generator rectifier end frame.

SST 09950-40011 (09951-04020, 09952-04010, 09953-04020, 09954-04010, 09955-04071, 09957-04010, 09958-04011)

- (c) Remove the washer.
(d) Remove the generator rotor.



INSPECTION

1. INSPECT GENERATOR BRUSH HOLDER ASSEMBLY

- (a) Using a vernier caliper, measure the brush length.

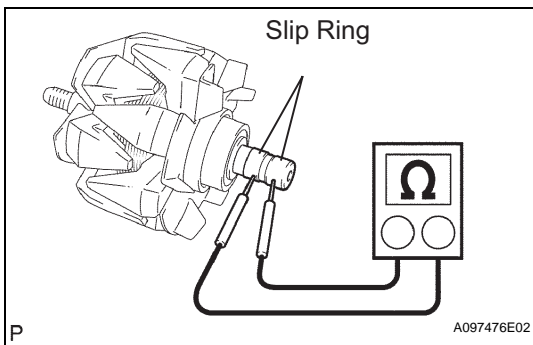
Standard length:

9.5 to 11.5 mm (0.374 to 0.453 in.)

Minimum length:

4.5 mm (0.177 in.)

If the brush length is less than the minimum, replace the generator brush holder assembly.



2. INSPECT GENERATOR ROTOR ASSEMBLY

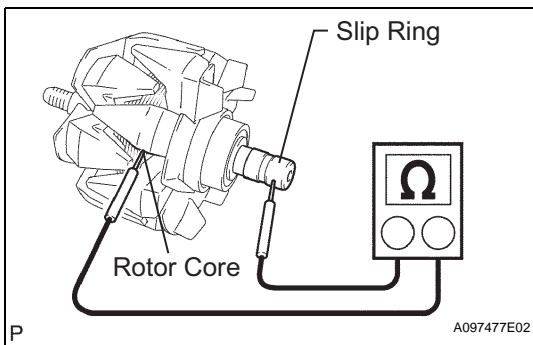
- (a) Check the resistance.

- (1) Measure the resistance between the slip rings.

Standard resistance:

2.3 to 2.7 Ω at 20°C (68°F)

If the result is not as specified, replace the generator rotor assembly.

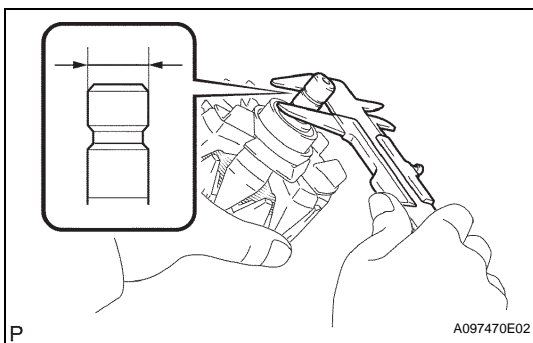


- (2) Measure the resistance between the slip ring and rotor core.

Standard resistance:

1 M Ω or higher

If the result is not as specified, replace the generator rotor assembly.



- (b) Check the slip ring diameter.

- (1) Using a vernier caliper, measure the slip ring diameter.

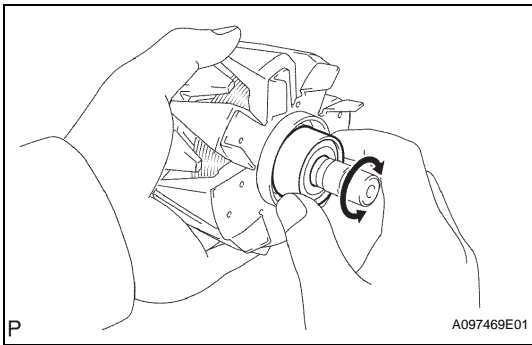
Standard diameter:

14.2 to 14.4 mm (0.559 to 0.567 in.)

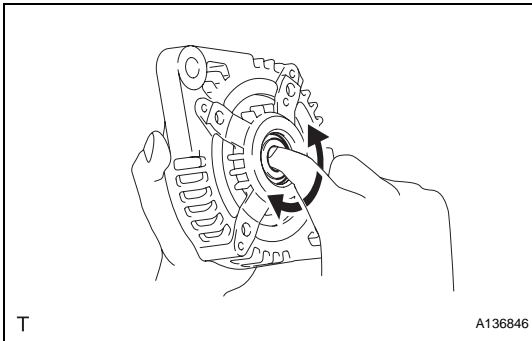
Minimum diameter:

14 mm (0.551 in.)

If the diameter is less than the minimum, replace the generator rotor assembly.

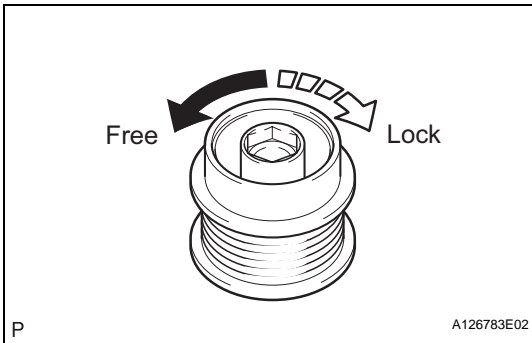


- (c) Check the appearance.
- (1) Check that the bearing is not rough or worn.
- OK:**
The bearing rotates smoothly.
 If the result is not as specified, replace the generator rotor assembly.



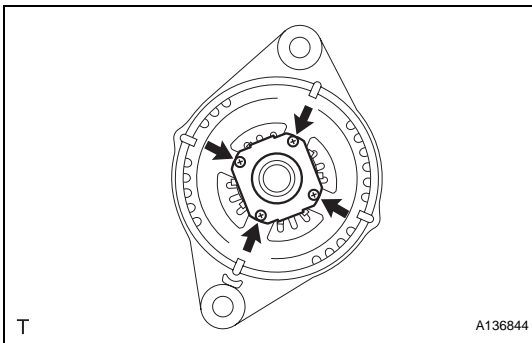
3. INSPECT GENERATOR DRIVE END FRAME BEARING

- (a) Check that the bearing is not rough or worn.
- OK:**
The bearing rotates smoothly.
 If the bearing does not rotate smoothly, replace the bearing.



4. INSPECT GENERATOR PULLEY WITH CLUTCH

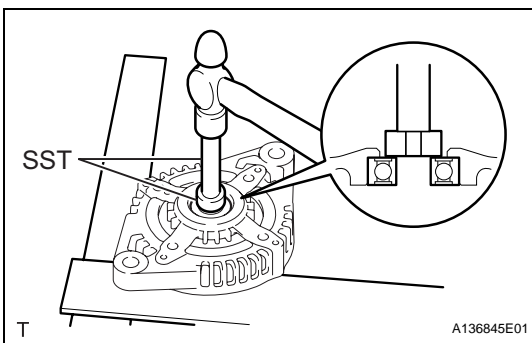
- (a) Hold the center of the pulley, and confirm that the outer ring turns counterclockwise and does not turn clockwise.
- If the result is not as specified, replace the generator pulley with clutch.



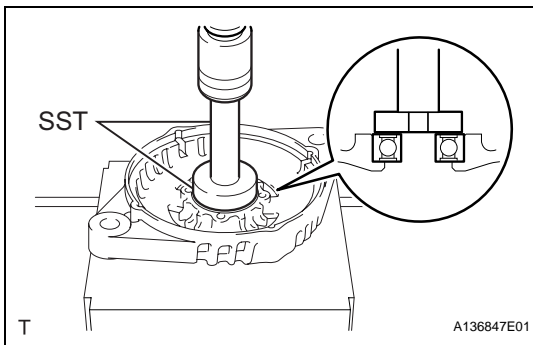
REPLACEMENT

1. REPLACE GENERATOR DRIVE END FRAME BEARING

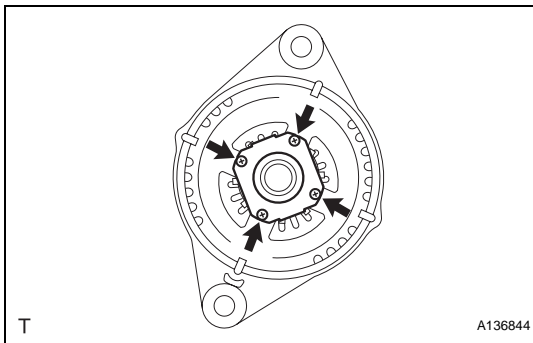
- (a) Remove the 4 screws and bearing retainer.



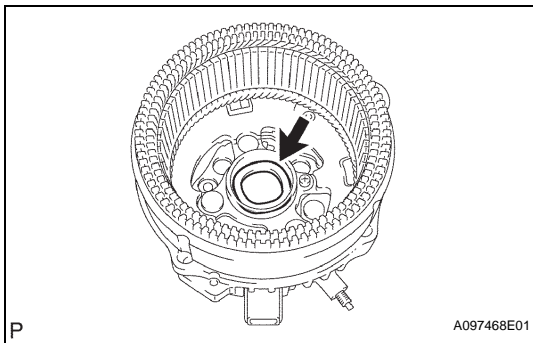
- (b) Using SST and a hammer, tap out the bearing.
SST 09950-60010 (09951-00250), 09950-70010 (09951-07100)



- (c) Using SST and a press, press in a new bearing.
SST 09950-60010 (09951-00250), 09950-70010 (09951-07100)



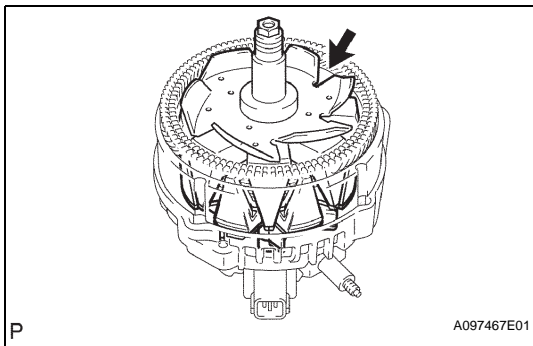
- (d) Install the bearing retainer with the 4 screws.
Torque: 2.3 N*m (23 kgf*cm, 20 in.*lbf)



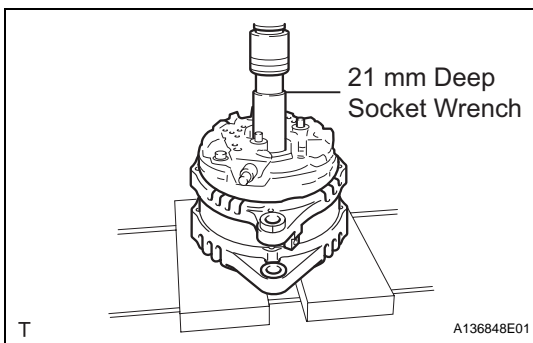
REASSEMBLY

1. INSTALL GENERATOR ROTOR ASSEMBLY

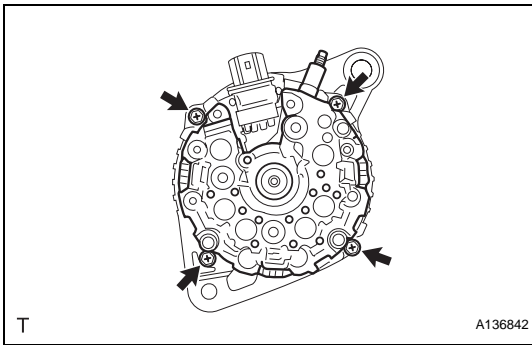
- (a) Install the washer onto the generator rectifier end frame.



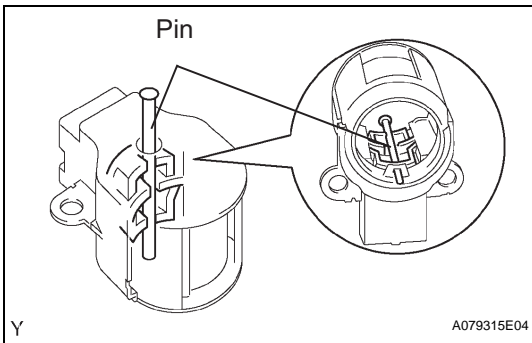
- (b) Install the generator rotor onto the generator rectifier end frame.



- (c) Using a 21 mm deep socket wrench and press, slowly push the generator drive end frame onto the generator rectifier frame.

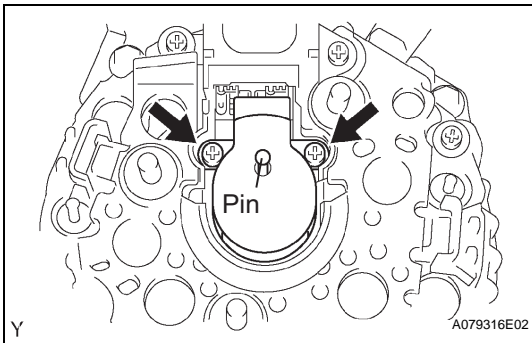


- (d) Install the 4 bolts.
Torque: 5.8 N*m (59 kgf*cm, 51 in.*lbf)

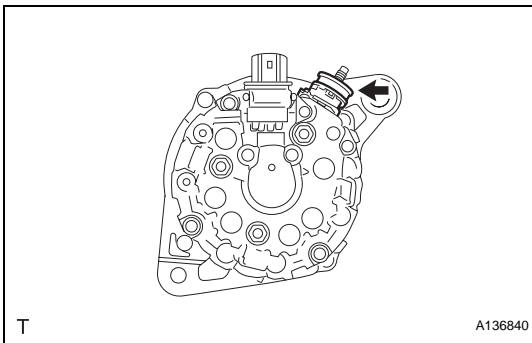


2. INSTALL GENERATOR BRUSH HOLDER ASSEMBLY

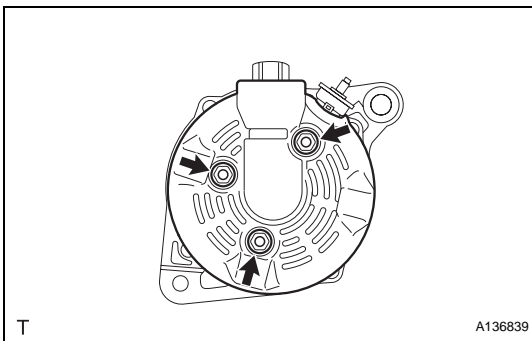
- (a) While pushing the 2 brushes into the generator brush holder, insert a ϕ 1.0 mm (0.039 in.) pin into the generator brush holder.



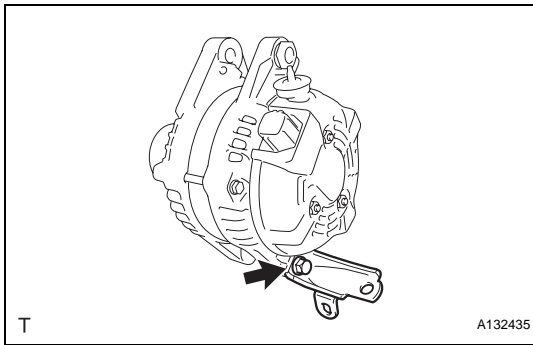
- (b) Install the generator brush holder with the 2 screws.
Torque: 1.8 N*m (18 kgf*cm, 16 in.*lbf)
 (c) Pull the pin out of the generator brush holder.



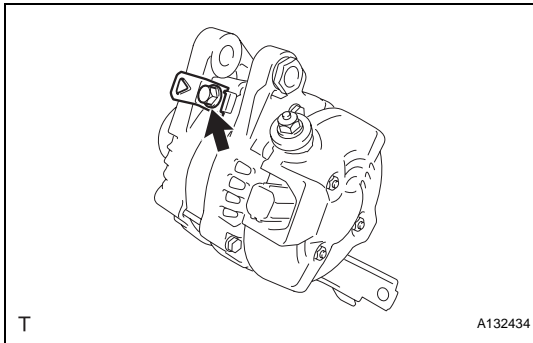
- (d) Install the terminal insulator onto the generator rectifier end frame.



- (e) Install the generator rear end cover with the 3 nuts.
Torque: 4.6 N*m (47 kgf*cm, 41 in.*lbf)



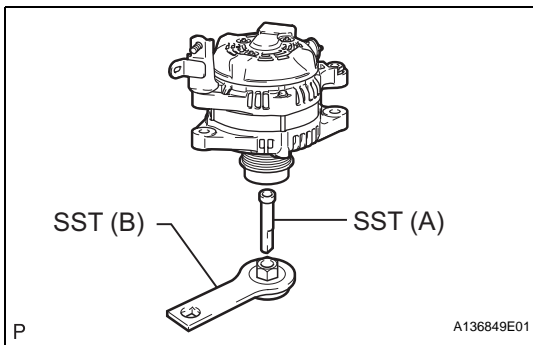
- (f) Install the bracket with the bolt.
Torque: 20 N*m (204 kgf*cm, 15 ft.*lbf)



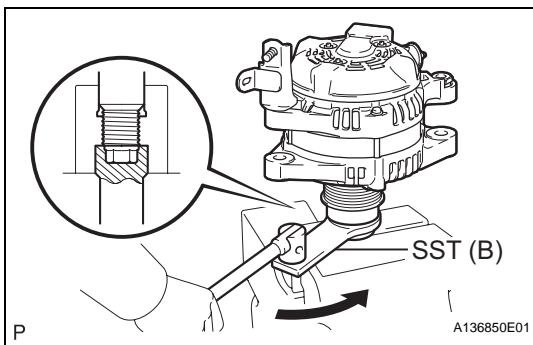
- (g) Install the wire harness clamp stay.
Torque: 8.4 N*m (86 kgf*cm, 74 in.*lbf)

3. INSTALL GENERATOR PULLEY WITH CLUTCH

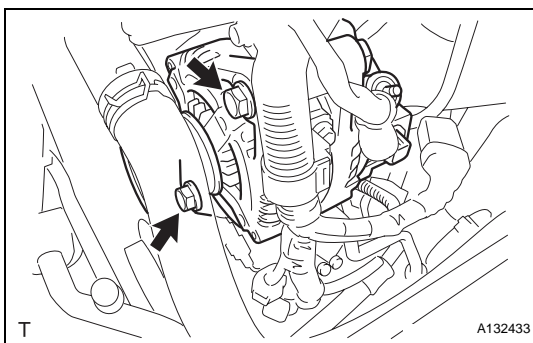
- (a) Install the pulley by hand.



- (b) Install SST to the pulley as shown in the illustration.
SST 09820-63020



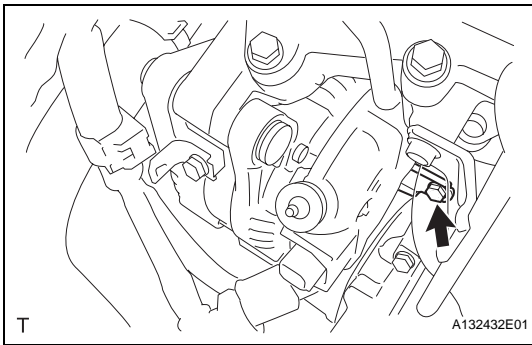
- (c) Turn SST (B) counterclockwise to tighten the pulley.
Torque: 111 N*m (1125 kgf*cm, 81 ft.*lbf)
- (d) Install a new cap to the pulley.
- (e) Check that the generator pulley rotates smoothly.



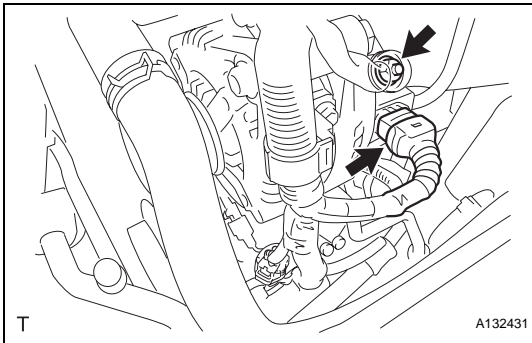
INSTALLATION

1. INSTALL GENERATOR ASSEMBLY

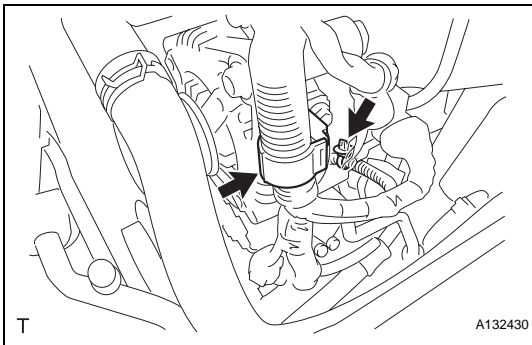
- (a) Install the generator with the 2 bolts.
Torque: 43 N*m (438 kgf*cm, 32 ft.*lbf)



- (b) Install the bolt to the cylinder block.
Torque: 20 N*m (204 kgf*cm, 15 ft.*lbf)



- (c) Connect the generator connector to the generator.
 (d) Connect the generator wire with the nut.
Torque: 9.8 N*m (100 kgf*cm, 88 in.*lbf)
 (e) Install the terminal cap.



- (f) Connect the 2 wire harness clamps.

2. **INSTALL FAN AND GENERATOR V BELT** (See page [EM-8](#))
3. **INSTALL RADIATOR RESERVOIR TANK** (See page [CO-21](#))
4. **INSTALL FRONT SUSPENSION MEMBER REINFORCEMENT RH** (See page [EM-9](#))
5. **INSTALL ENGINE UNDER COVER REAR RH** (See page [EM-41](#))
6. **INSTALL FRONT WHEEL RH**
7. **INSTALL RADIATOR ASSEMBLY**
 - (a) Install the radiator (see page [CO-40](#)).