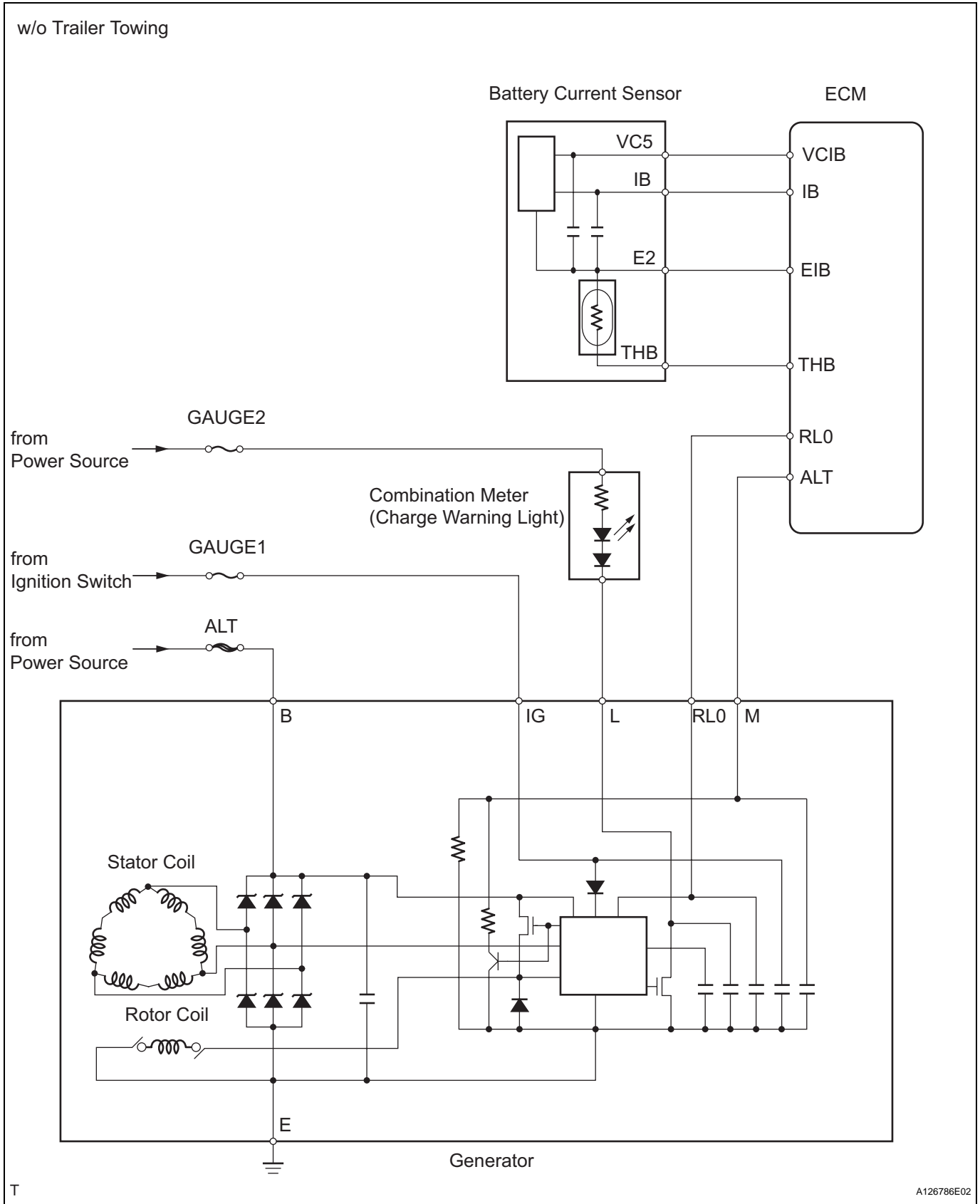
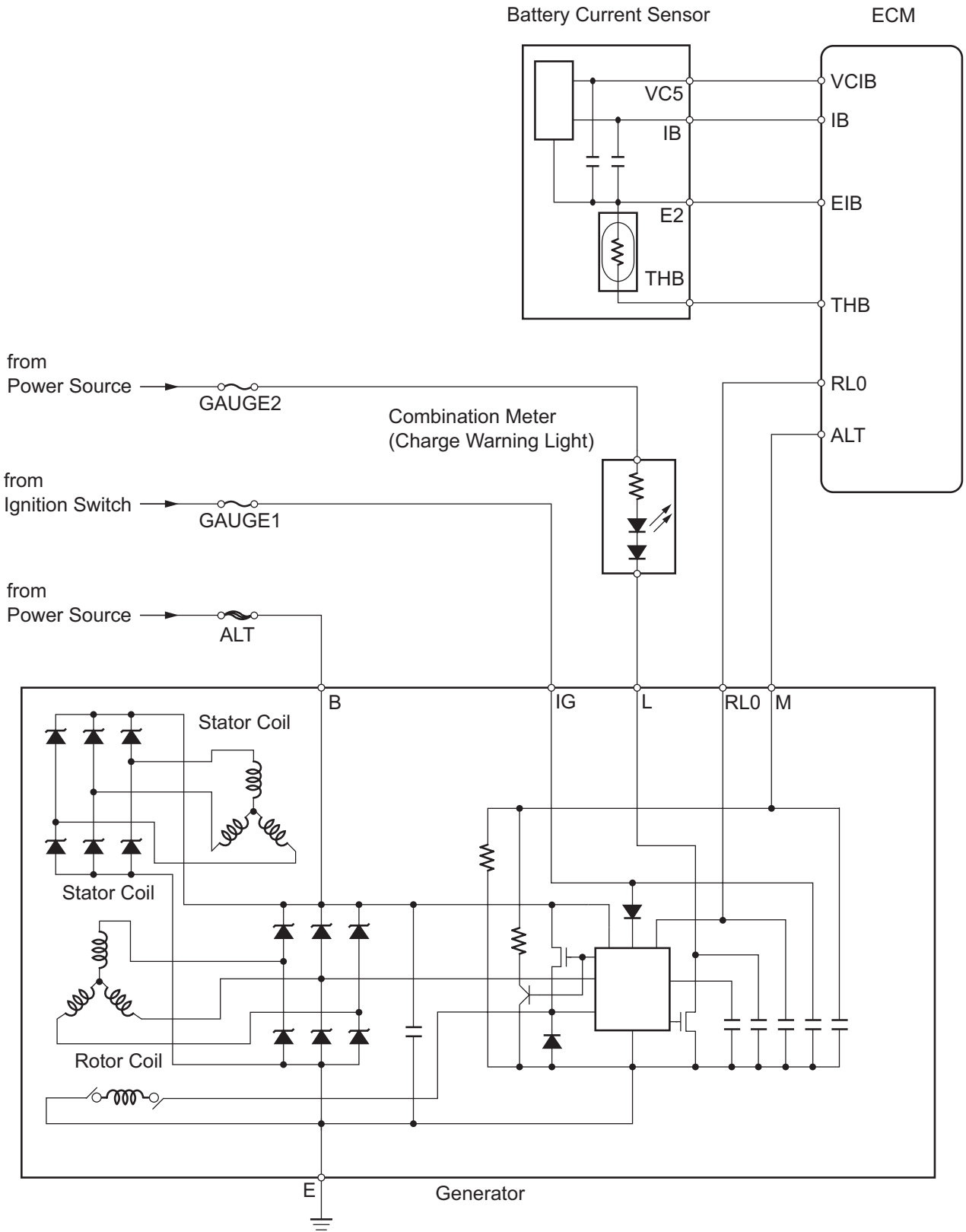


# SYSTEM DIAGRAM



w/ Trailer Towing



CH

T