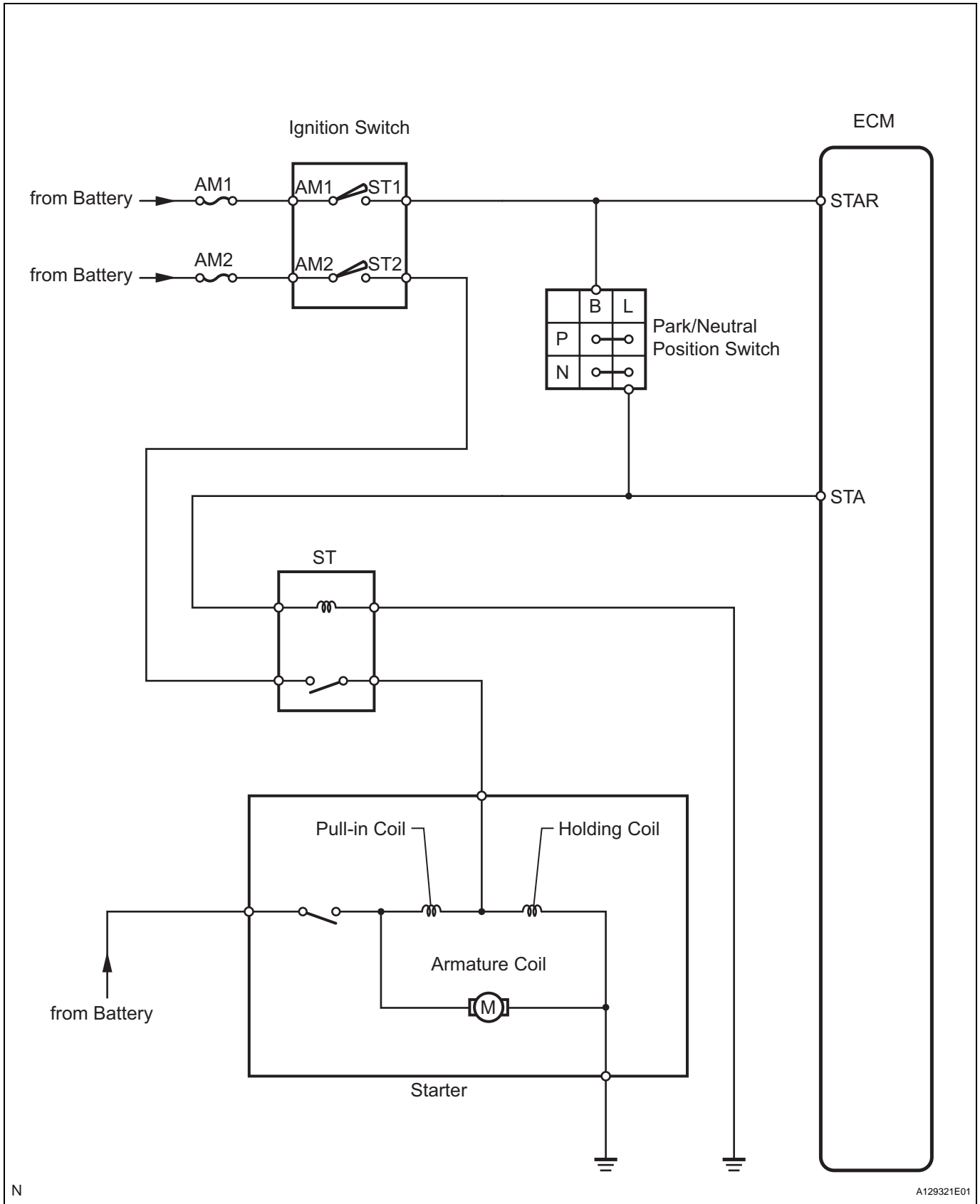


SYSTEM DIAGRAM

The starting system rotates the starter motor according to the signals from the ignition switch and PNP switch.



ST