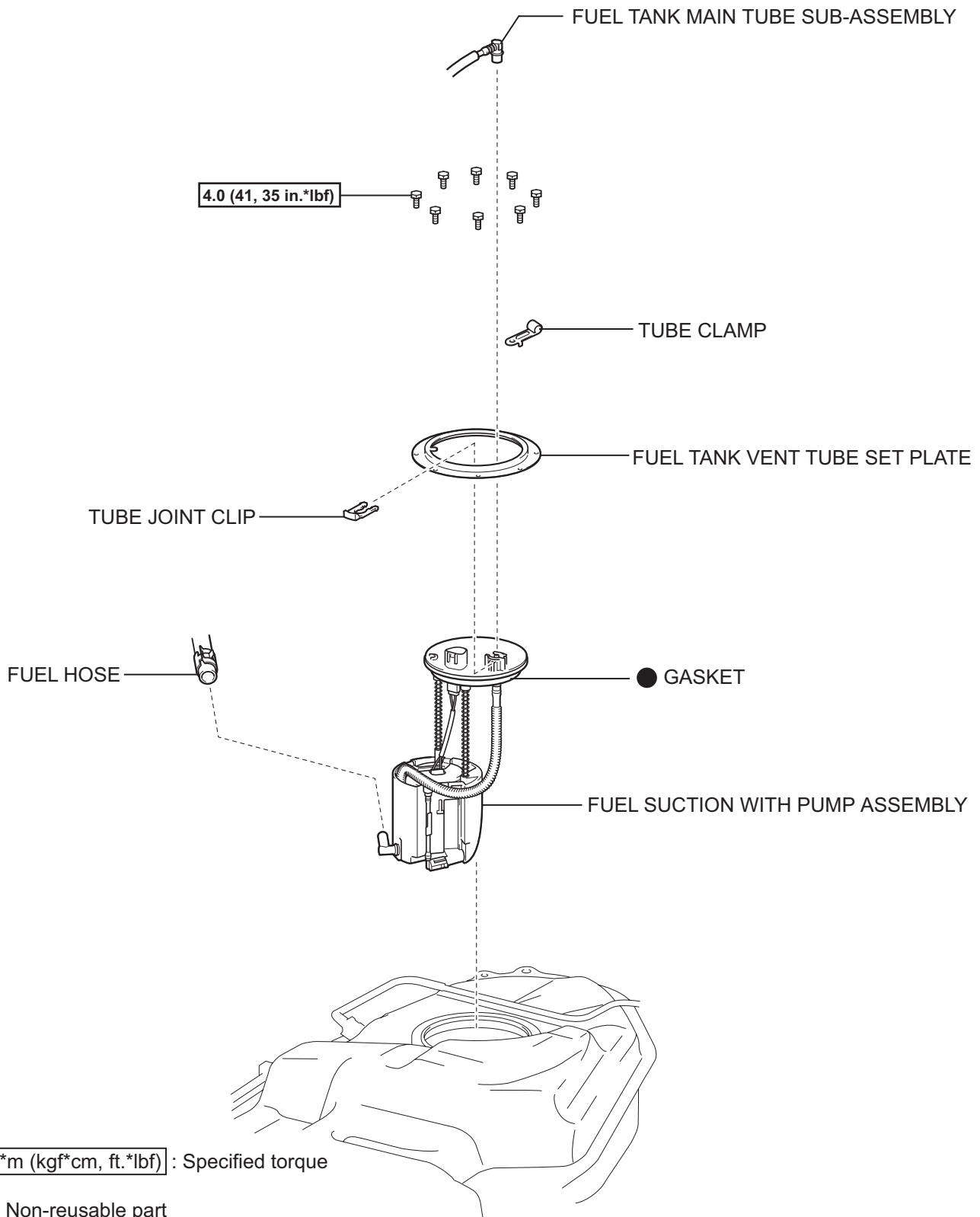


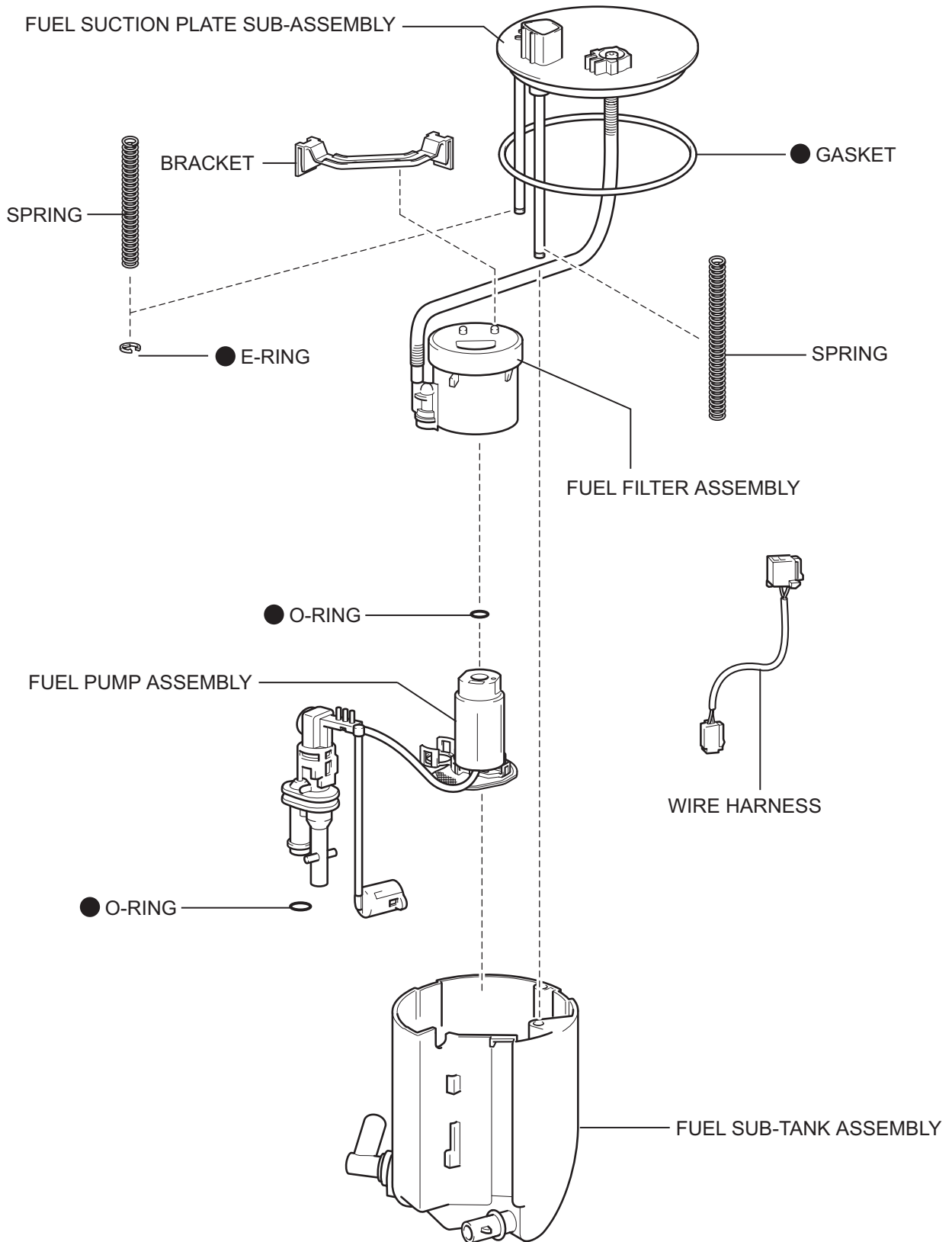
FUEL PUMP COMPONENTS



N*m (kgf*cm, ft.*lbf) : Specified torque

● Non-reusable part

FU



FU

● Non-reusable part