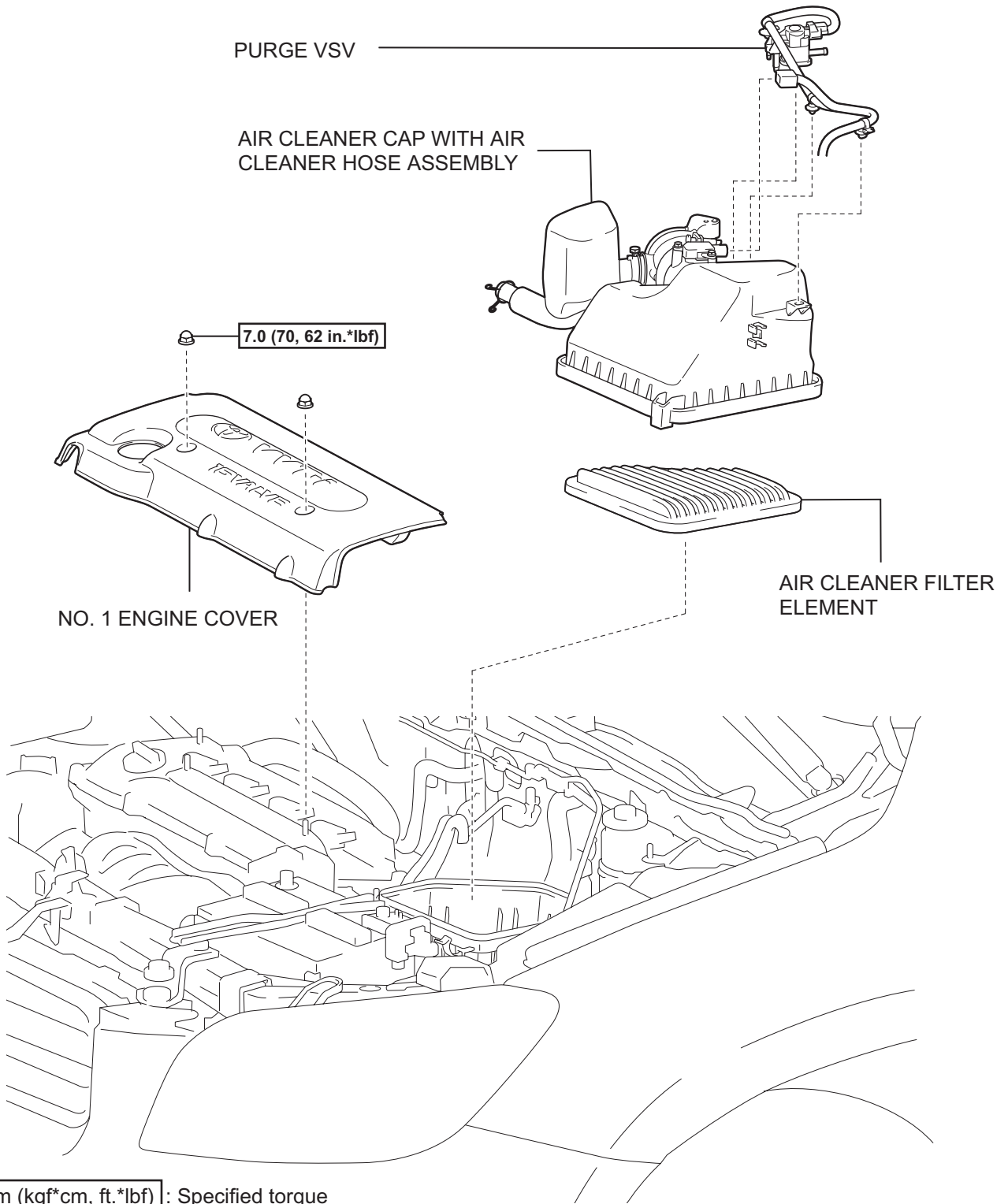


FUEL PRESSURE PULSATION DAMPER

COMPONENTS



FU

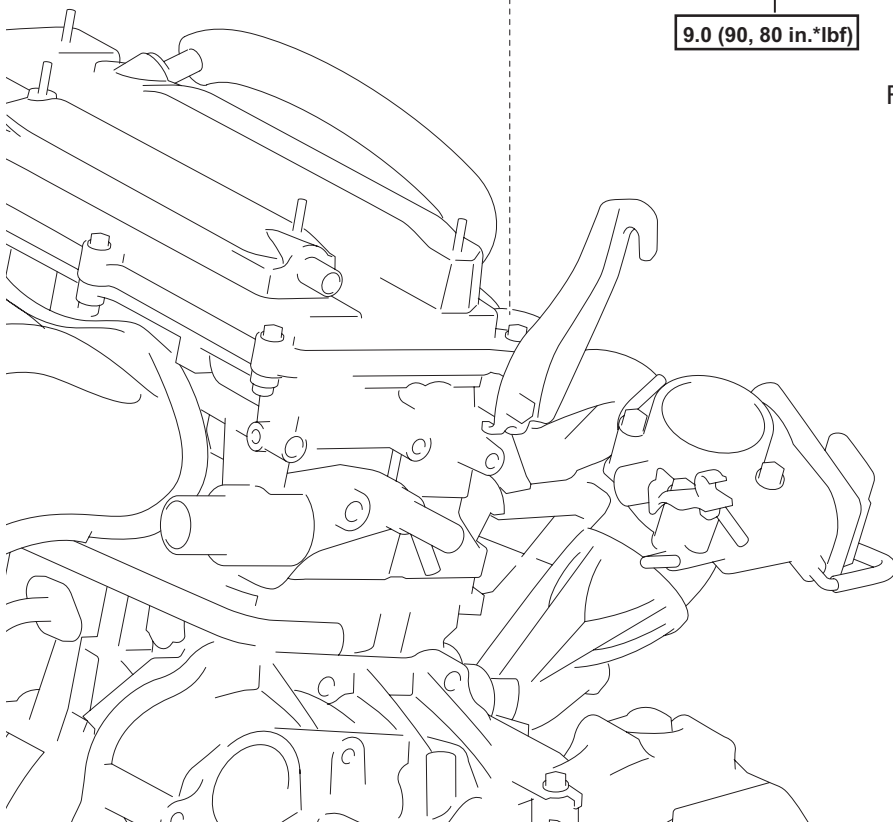
N*m (kgf*cm, ft.*lbf) : Specified torque

FUEL PRESSURE PULSATION DAMPER ASSEMBLY

NO. 2 FUEL PIPE CLAMP

9.0 (90, 80 in.*lbf)

FUEL MAIN TUBE



N*m (kgf*cm, ft.*lbf) : Specified torque

FU