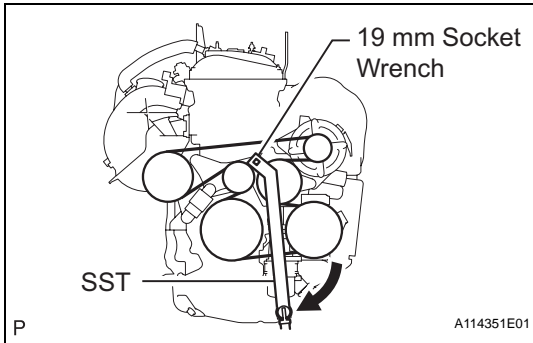


REMOVAL

1. REMOVE RADIATOR SUPPORT OPENING COVER
2. REMOVE FRONT WHEEL RH
3. REMOVE FRONT FENDER APRON RH
4. REMOVE FRONT SUSPENSION MEMBER REINFORCEMENT RH
 - (a) Remove the 4 bolts and reinforcement RH.
5. REMOVE FAN AND GENERATOR V BELT

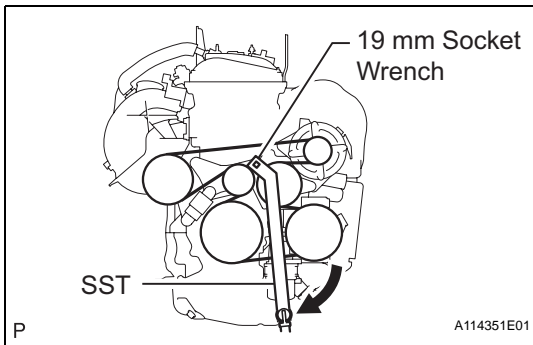


- (a) Using SST and 19 mm socket wrench, loosen the V-ribbed belt tensioner arm clockwise, then remove the fan and generator V belt.

SST 09216-42010

NOTICE:

- Be sure to connect SST and the tools so that they are in line during use.
- When retracting the tensioner, turn it clockwise slowly for 3 seconds or more. Do not apply force rapidly.
- After the tensioner is fully retracted, do not apply force any more than necessary.



INSTALLATION

1. INSTALL FAN AND GENERATOR V BELT
 - (a) Using SST and 19 mm socket wrench, loosen the V-ribbed belt tensioner arm clockwise, then install the fan and generator V belt.

SST 09216-42010

NOTICE:

 - Be sure to connect SST and the tools so that they are in line during use.
 - When retracting the tensioner, turn it clockwise slowly for 3 seconds or more. Do not apply force rapidly.
 - After the tensioner is fully retracted, do not apply force any more than necessary.
2. INSTALL FRONT SUSPENSION MEMBER REINFORCEMENT RH
 - (a) Install the reinforcement RH with the 4 bolts.
Torque: 96 N*m (979 kgf*cm, 71 ft.*lbf)
3. INSTALL FRONT FENDER APRON RH
4. INSTALL FRONT WHEEL RH
5. INSTALL RADIATOR SUPPORT OPENING COVER