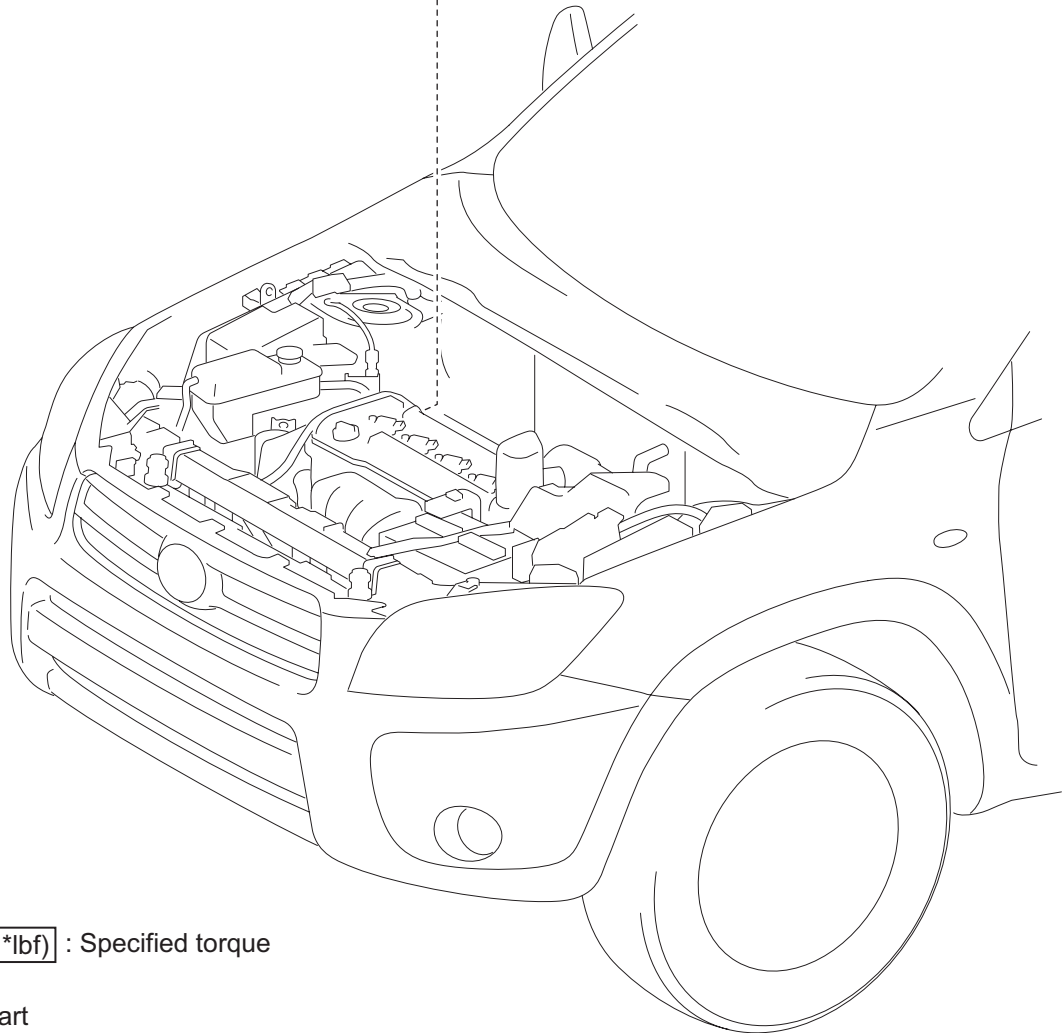
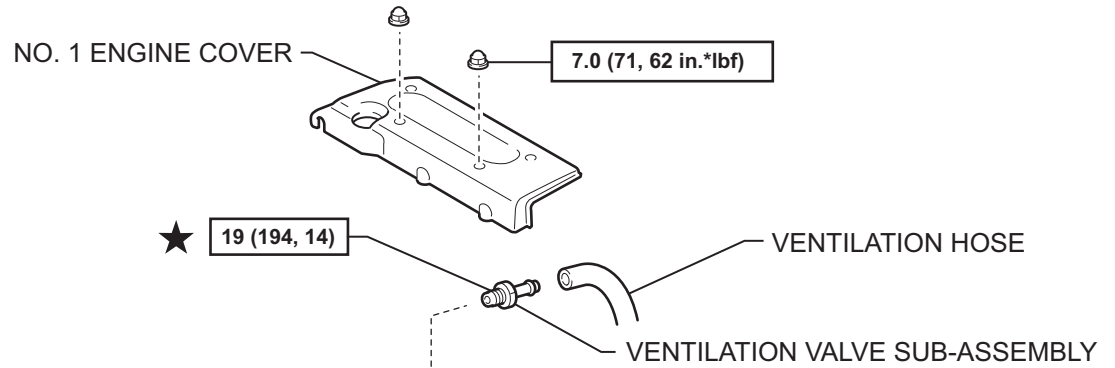


VENTILATION VALVE COMPONENTS



N*m (kgf*cm, ft.*lbf) : Specified torque

★ Precoated part

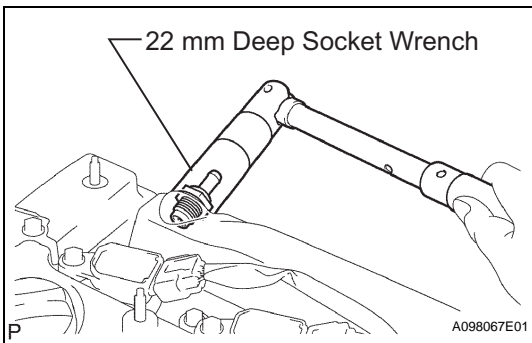
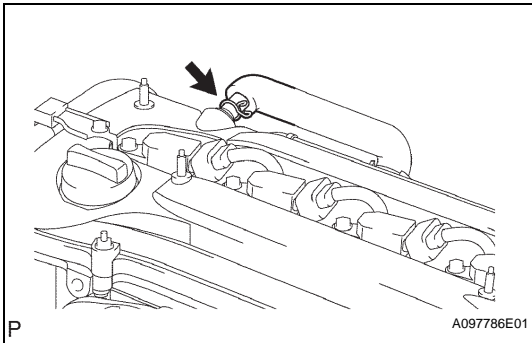
T

A124795E01

EC

REMOVAL

1. REMOVE NO. 1 ENGINE COVER (See page EM-22)
2. REMOVE VENTILATION VALVE SUB-ASSEMBLY
 - (a) Disconnect the ventilation hose from the ventilation valve.



- (b) Using a 22 mm deep socket wrench, remove the ventilation valve.

EC

INSPECTION

1. INSPECT VENTILATION VALVE SUB-ASSEMBLY
 - (a) Install a clean hose to the ventilation valve.
 - (b) Check the ventilation valve operation.
 - (1) Blow air into the cylinder head side, and check that air passes through easily.

CAUTION:
Do not suck air through the valve.
Petroleum substances inside the valve are hazardous to your health.
 - (2) Blow air into the intake manifold side, and check that air passes through with difficulty. If the result is not as specified, replace the ventilation valve sub-assembly.
 - (c) Remove the clean hose from the ventilation valve.

