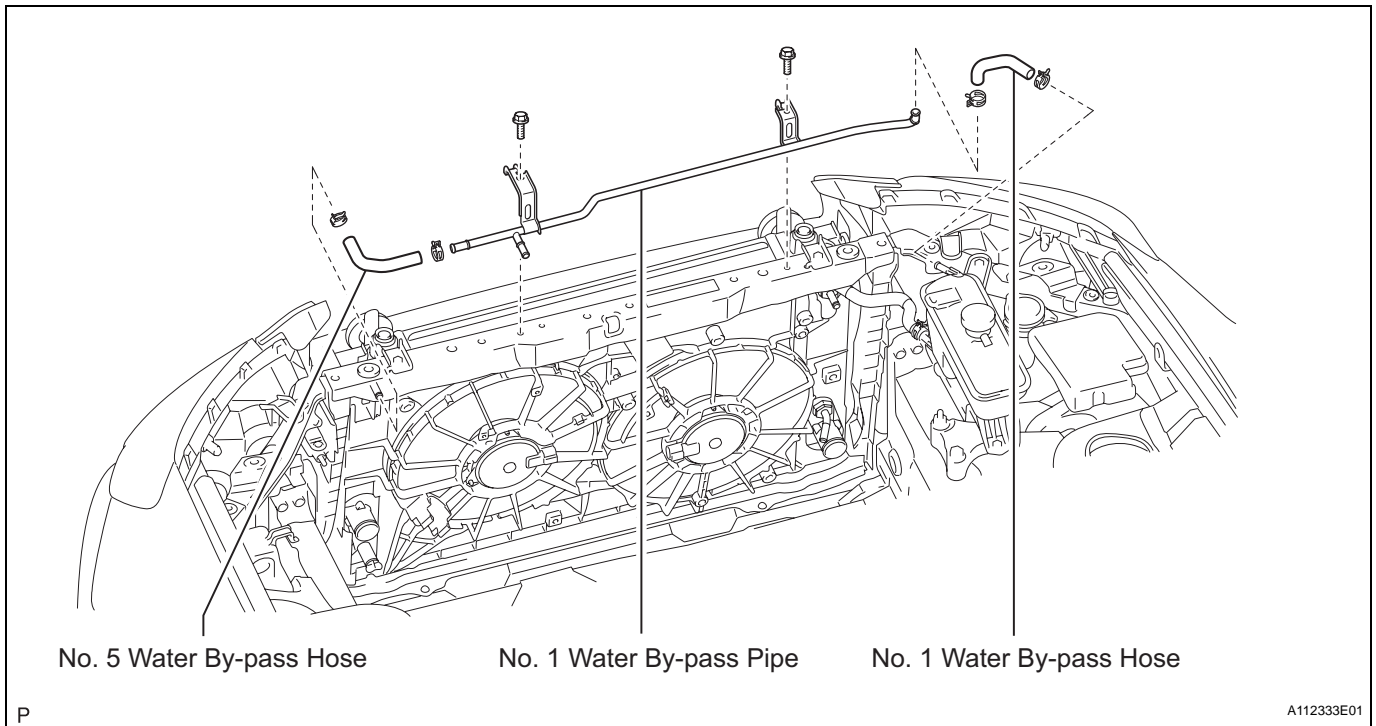
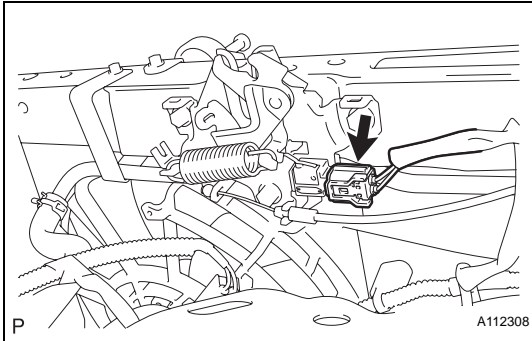


## REMOVAL

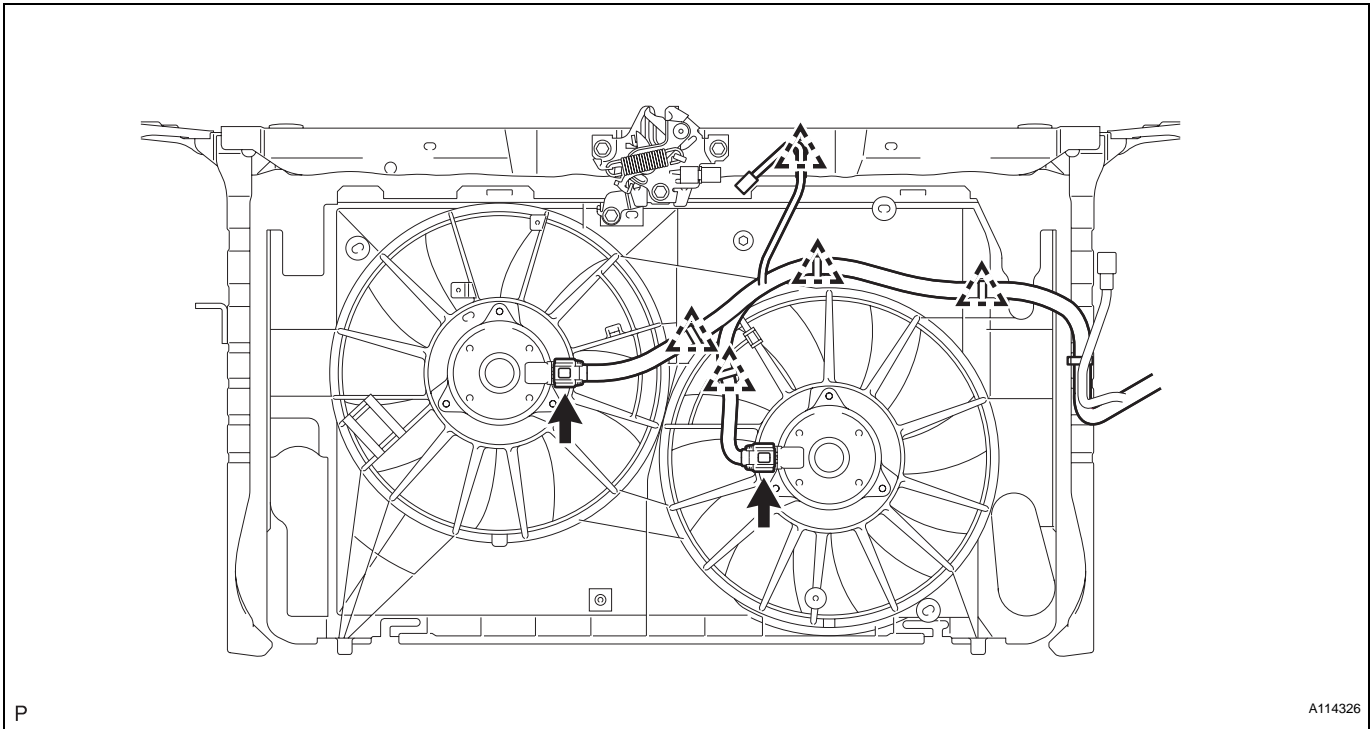
1. **DISCONNECT CABLE FROM NEGATIVE BATTERY TERMINAL**  
**CAUTION:**  
 Wait at least 90 seconds after disconnecting the cable from the negative (-) battery terminal to prevent airbag and seat belt pretensioner activation.
2. **REMOVE RADIATOR SUPPORT OPENING COVER**
3. **REMOVE BATTERY CLAMP**  
 (a) Remove the bolt, nut and clamp.
4. **REMOVE BATTERY**
5. **REMOVE NO. 1 ENGINE UNDER COVER**
6. **DRAIN ENGINE COOLANT** (See page [CO-6](#))
7. **REMOVE RADIATOR GRILLE SUB-ASSEMBLY** (See page [ET-6](#))
8. **DISCONNECT HOOD LOCK SWITCH CONNECTOR**
9. **DISCONNECT NO. 1 WATER BY-PASS HOSE**  
 (a) Disconnect the hose from the radiator reservoir.
10. **DISCONNECT NO. 5 WATER BY-PASS HOSE**  
 (a) Disconnect the hose from the radiator.
11. **REMOVE NO. 1 WATER BY-PASS PIPE**  
 (a) Disconnect the pipe from the No. 1 radiator hose.  
 (b) Remove the 2 bolts and the pipe.



CO

12. **DISCONNECT COOLING FAN MOTOR HARNESS**  
 (a) Disconnect the 2 fan motor connectors from the 2 fan motors.

- (b) Detach the 5 harness clamps from the fan shroud and upper radiator support.

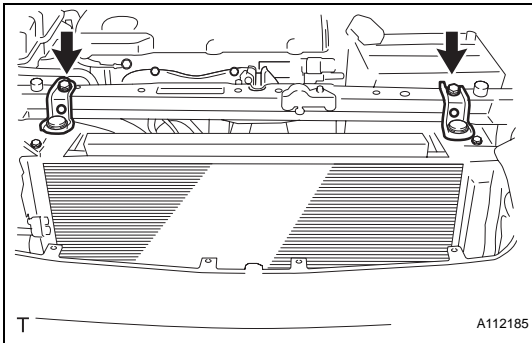


### 13. DISCONNECT HORN CONNECTOR

- (a) Disconnect the 2 horn connectors.

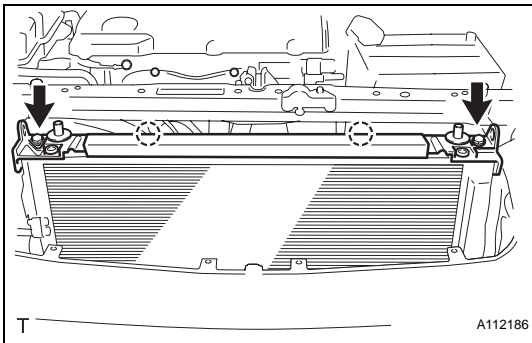
### 14. REMOVE UPPER RADIATOR SUPPORT BRACKET

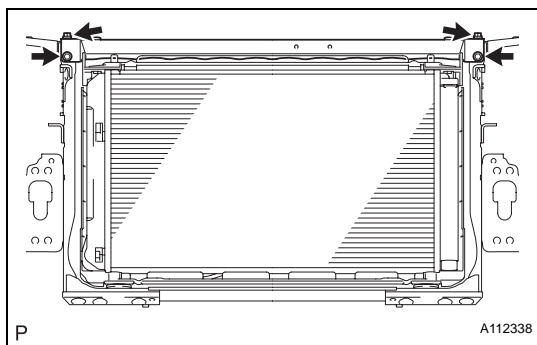
- (a) Remove the 2 bolts and the 2 upper radiator support brackets.



### 15. REMOVE NO. 2 FAN SHROUD

- (a) Remove the 2 bolts.  
(b) Detach the 2 claws and No. 2 shroud.





### 16. REMOVE UPPER RADIATOR SUPPORT SUB-ASSEMBLY

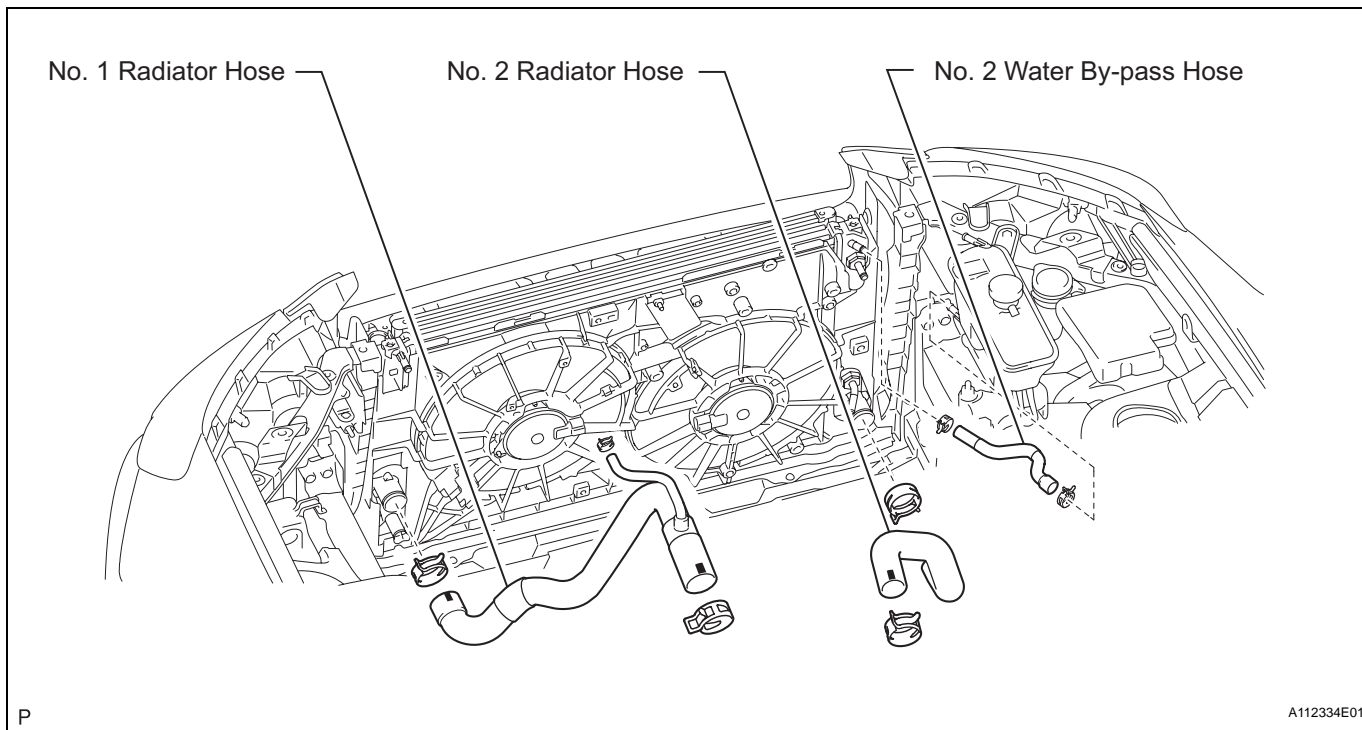
- (a) Remove the 4 bolts and upper radiator support with hood lock.

### 17. DISCONNECT NO. 1 RADIATOR HOSE

### 18. DISCONNECT NO. 2 RADIATOR HOSE

### 19. DISCONNECT NO. 2 WATER BY-PASS HOSE

- Disconnect the by-pass hose from the radiator reservoir and radiator.



### 20. REMOVE RADIATOR ASSEMBLY

- (a) Separate the cooler condenser from the radiator.

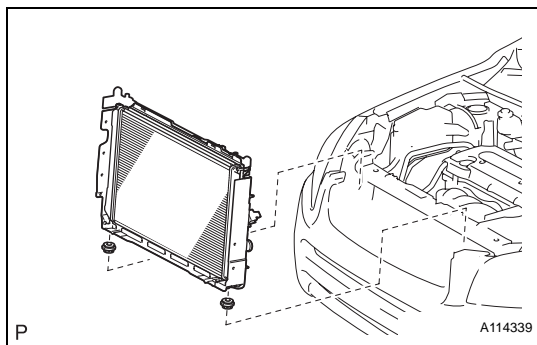
HINT:

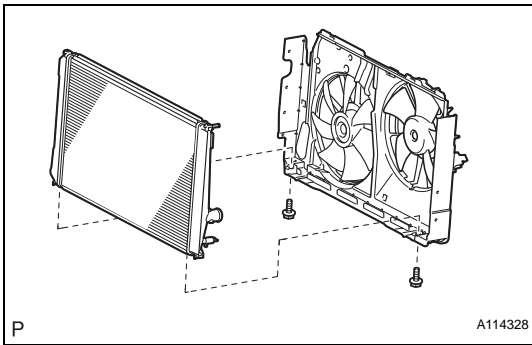
After detaching the condenser, make sure that all 4 fan shroud cushions are present.

- (b) Remove the radiator with the 2 radiator support lowers.

HINT:

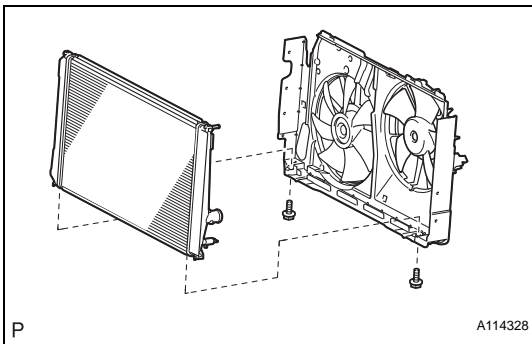
After detaching the radiator, make sure that both radiator support lowers are present.





## 21. REMOVE FAN SHROUD WITH COOLING FAN

- (a) Remove the 2 bolts and radiator from the fan shroud.



## INSTALLATION

### 1. INSTALL FAN SHROUD WITH COOLING FAN

- (a) Install the fan shroud with cooling fan with the 2 bolts to the radiator.

**Torque: 10.5 N\*m (107 kgf\*cm, 8 ft.\*lbf)**

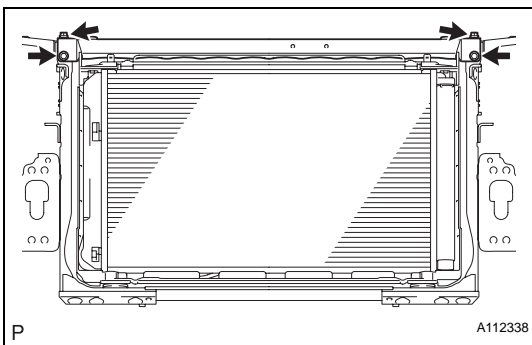
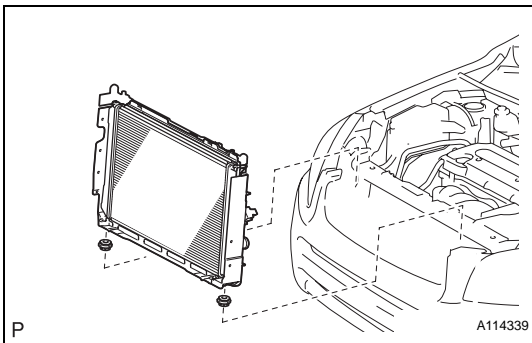
### 2. INSTALL RADIATOR ASSEMBLY

- (a) Install the 4 fan shroud cushions to the cooler condenser.

- (b) Set the cooler condenser to the fan shroud.

- (c) Install the 2 radiator support lower cushions to the fan shroud.

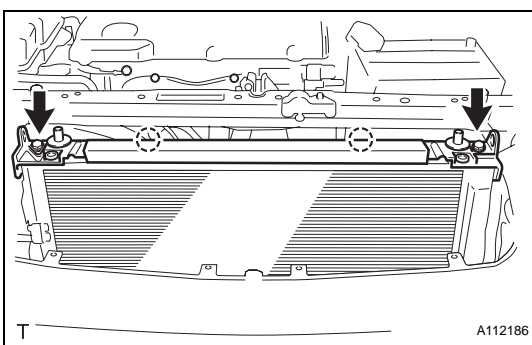
- (d) Install the radiator with cooler condenser and fan shroud to the radiator support lower.



### 3. INSTALL UPPER RADIATOR SUPPORT SUB-ASSEMBLY

- (a) Install the upper radiator support with the 4 bolts.

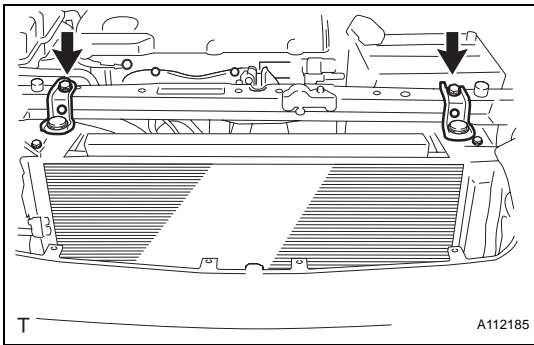
**Torque: 19 N\*m (194 kgf\*cm, 14 ft.\*lbf)**



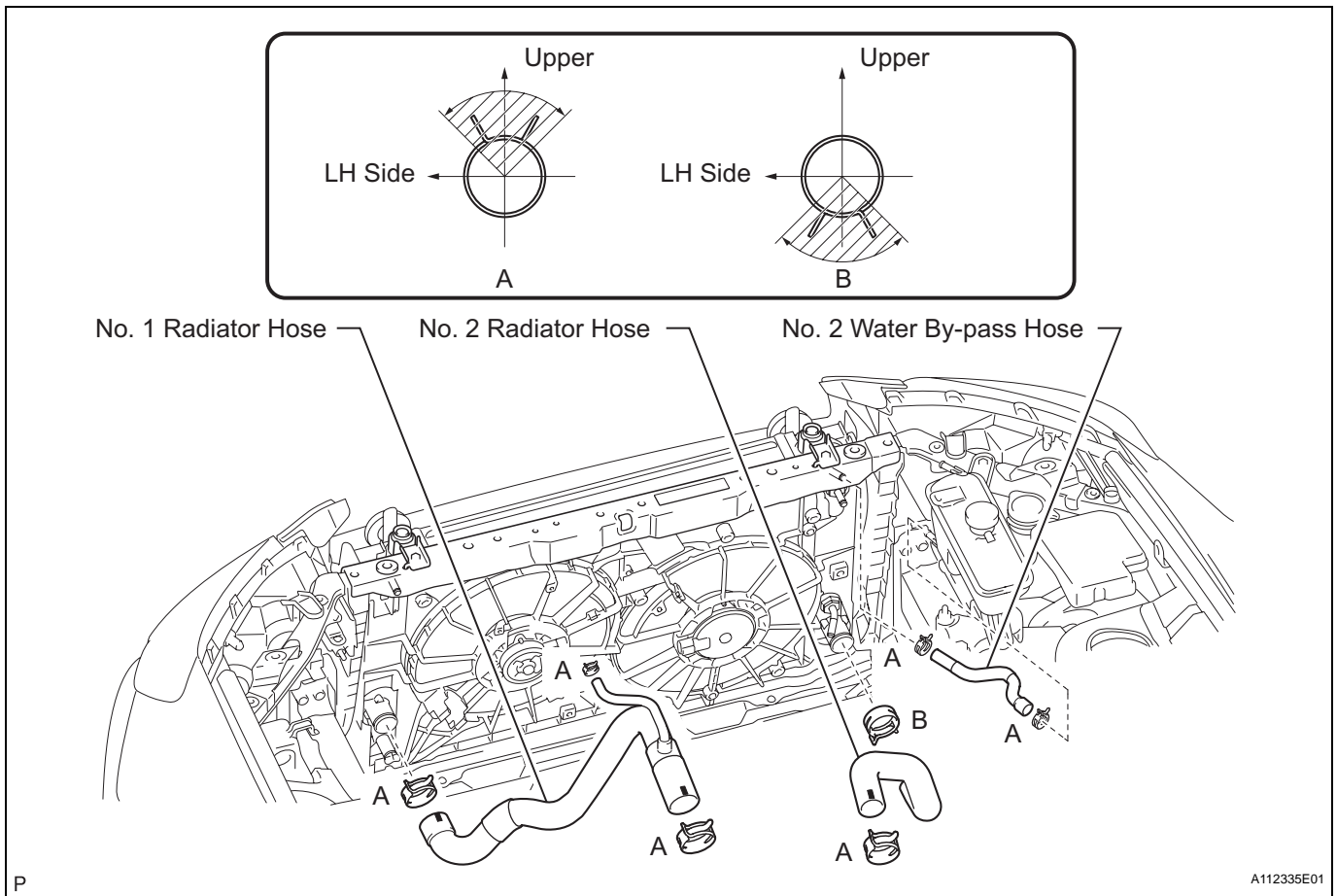
### 4. INSTALL NO. 2 FAN SHROUD

- (a) Attach the 2 claws to install the No. 2 fan shroud and install the 2 bolts.

**Torque: 10.5 N\*m (107 kgf\*cm, 8 ft.\*lbf)**



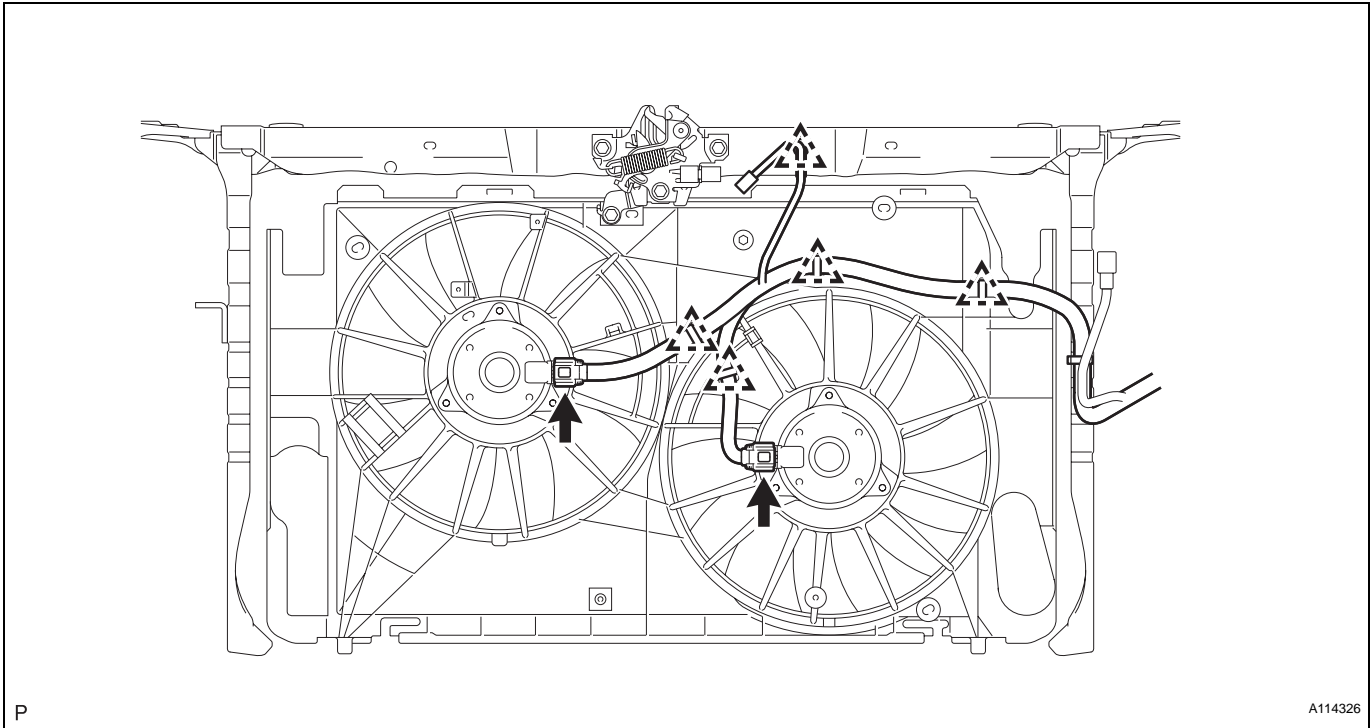
5. **INSTALL UPPER RADIATOR SUPPORT BRACKET**
  - (a) Install the bracket with the 2 bolts.  
Torque: 19 N\*m (194 kgf\*cm, 14 ft.\*lbf)
6. **CONNECT HORN CONNECTOR**
  - (a) Connect the 2 horn connectors.
7. **CONNECT NO. 2 WATER BY-PASS HOSE**
  - (a) Connect the by-pass hose to the radiator and radiator reservoir.  
HINT:  
The direction of the hose clamp is indicated in the illustration.
8. **CONNECT NO. 2 RADIATOR HOSE**
  - HINT:  
The direction of the hose clamp is indicated in the illustration.
9. **CONNECT NO. 1 RADIATOR HOSE**
  - HINT:  
The direction of the hose clamp is indicated in the illustration.



CO

10. **CONNECT COOLING FAN MOTOR HARNESS**
  - (a) Attach the harness with the 5 clamps.

- (b) Connect the 2 fan motor connectors.



### 11. INSTALL NO. 1 WATER BY-PASS PIPE

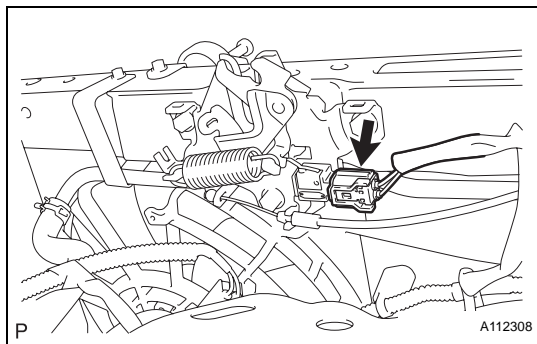
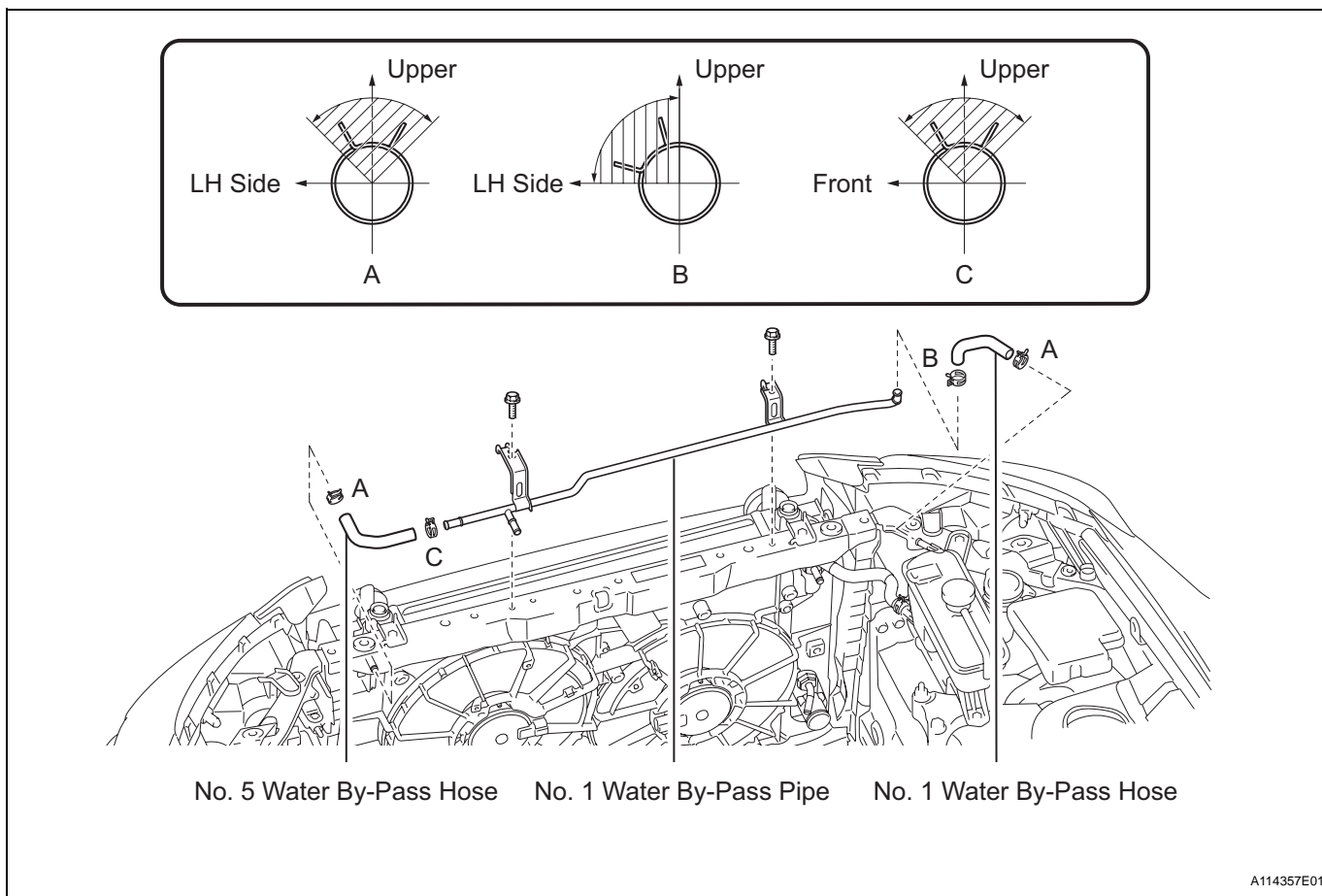
- (a) Install the by-pass pipe with the 2 bolts to the upper radiator support.  
**Torque: 9.0 N\*m (92 kgf\*cm, 80 in.\*lbf)**
- (b) Connect the No. 1 radiator hose to the pipe.  
 HINT:  
 The direction of the hose clamp is indicated in the illustration.

### 12. CONNECT NO. 5 WATER BY-PASS HOSE

- (a) Connect the by-pass hose to the radiator.  
 HINT:  
 The direction of the hose clamp is indicated in the illustration.

### 13. CONNECT NO. 1 WATER BY-PASS HOSE

- (a) Connect the by-pass hose to the radiator and radiator reservoir.  
 HINT:  
 The direction of the hose clamp is indicated in the illustration.



#### 14. CONNECT HOOD LOCK SWITCH CONNECTOR

#### 15. INSTALL RADIATOR GRILLE SUB-ASSEMBLY (See page [ET-10](#))

#### 16. INSTALL BATTERY

#### 17. INSTALL BATTERY CLAMP

- Attach the hook of the battery clamp to the battery bracket.
- Temporarily tighten the nut and install the bolt.
- Adjust the battery clamp's position.
- Fully tighten the bolt and nut.

Torque: 8.5 N\*m (87 kgf\*cm, 75 in.\*lbf) for bolt  
5.0 N\*m (51 kgf\*cm, 44 in.\*lbf) for nut

#### 18. CONNECT CABLE TO NEGATIVE BATTERY TERMINAL

#### 19. ADD ENGINE COOLANT (See page [CO-6](#))

#### 20. CHECK FOR ENGINE COOLANT LEAKS (See page [CO-1](#))

#### 21. INSTALL RADIATOR SUPPORT OPENING COVER