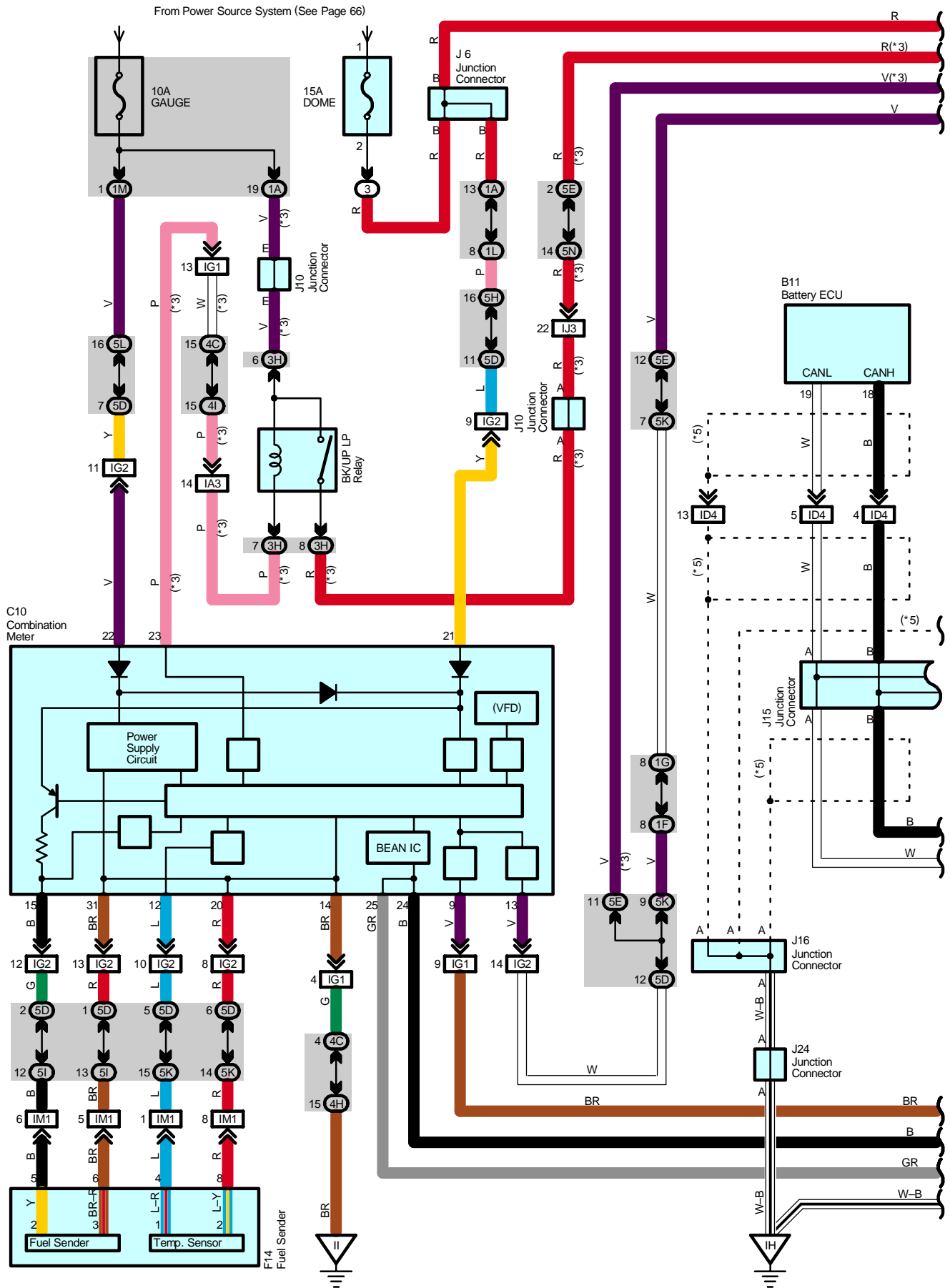
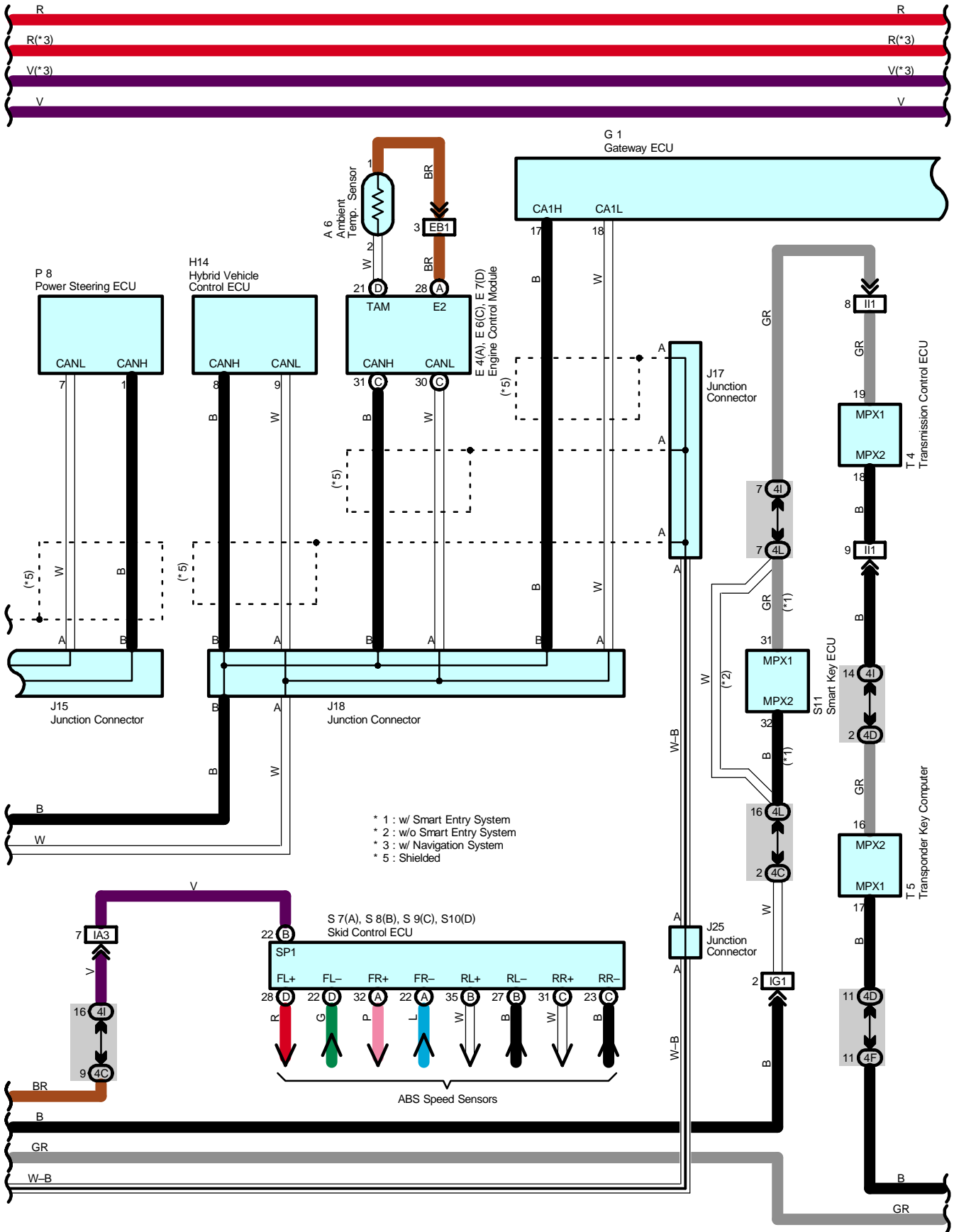
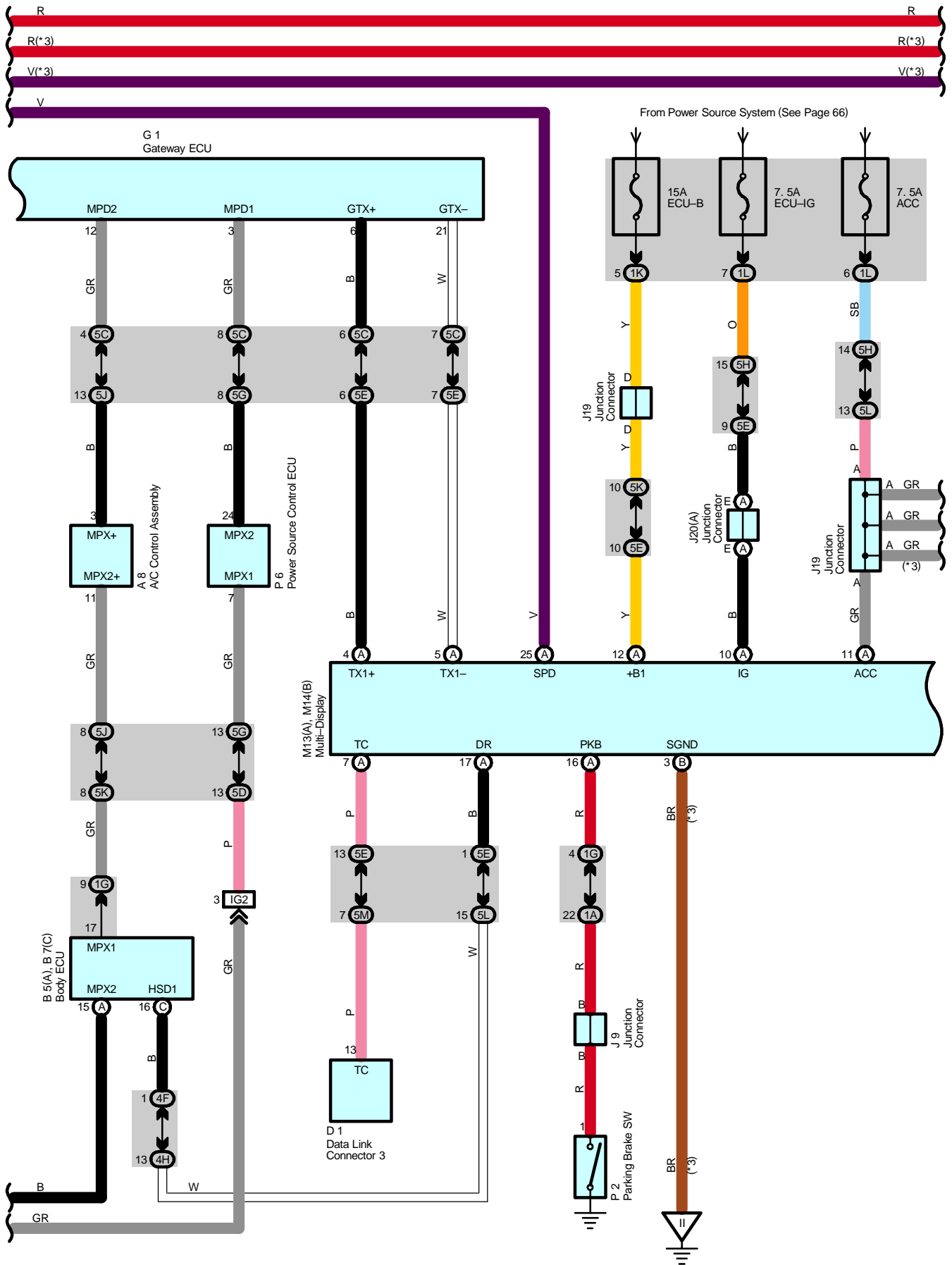


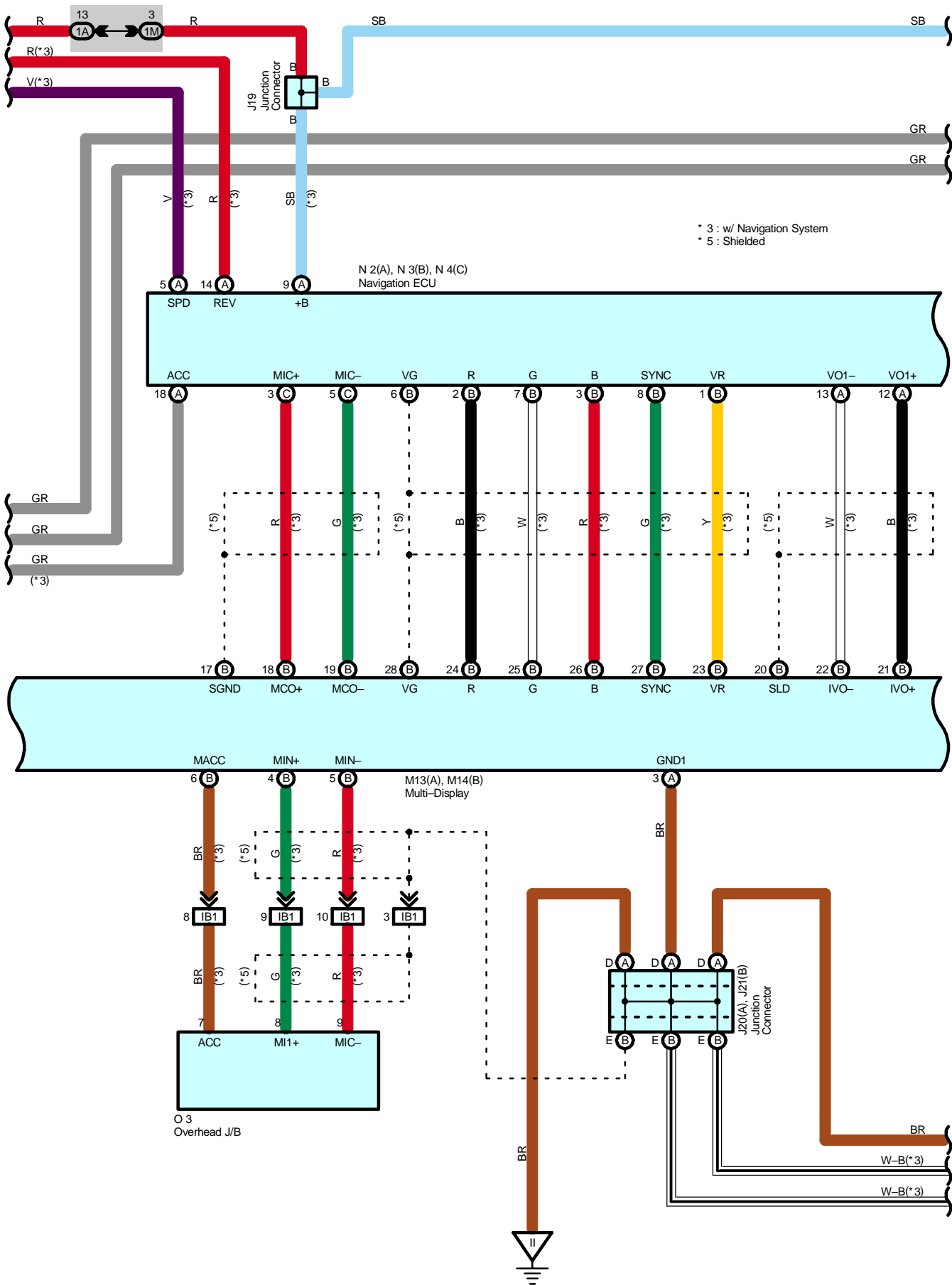
Multi-Display and Audio System with Separate Amplifier



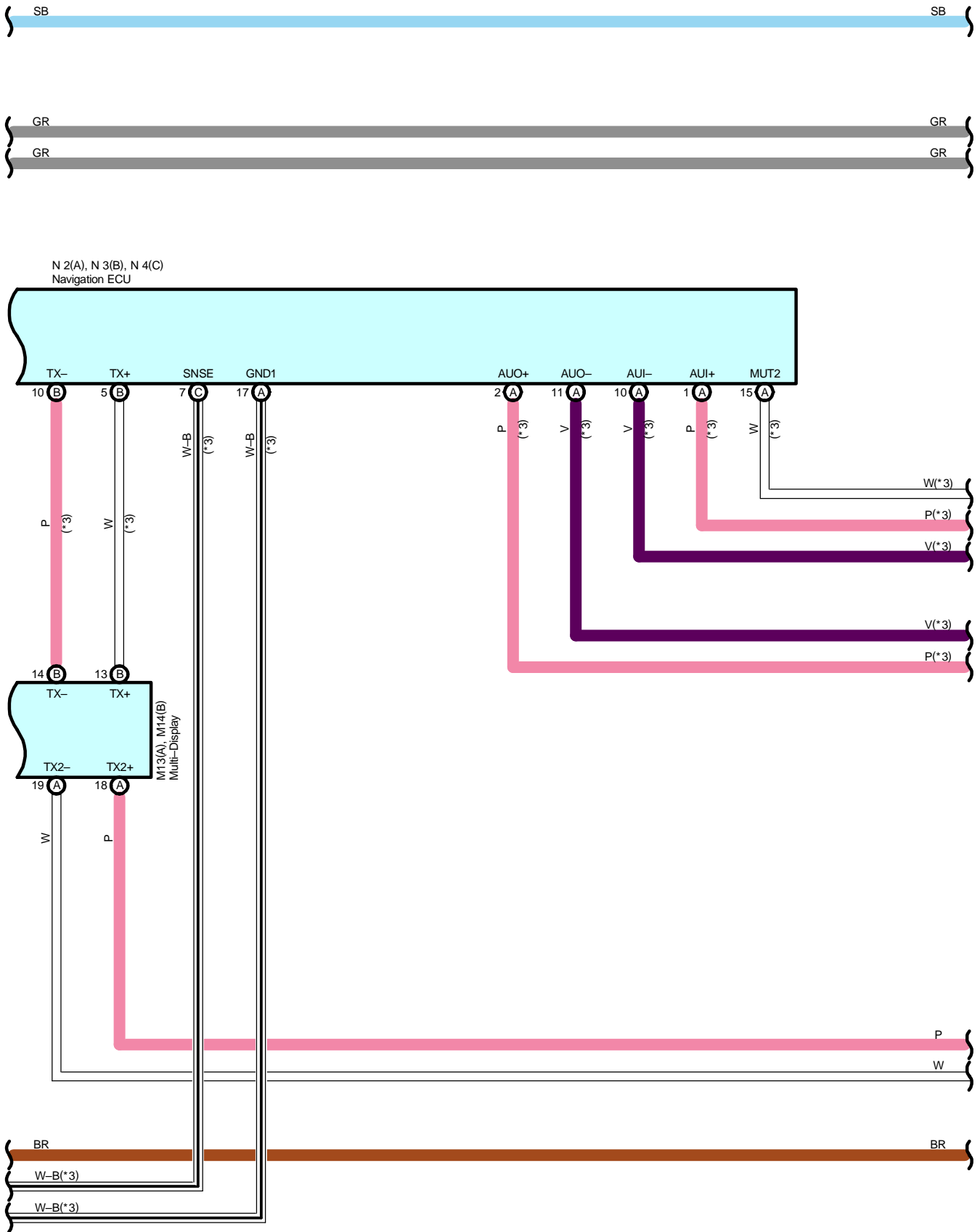


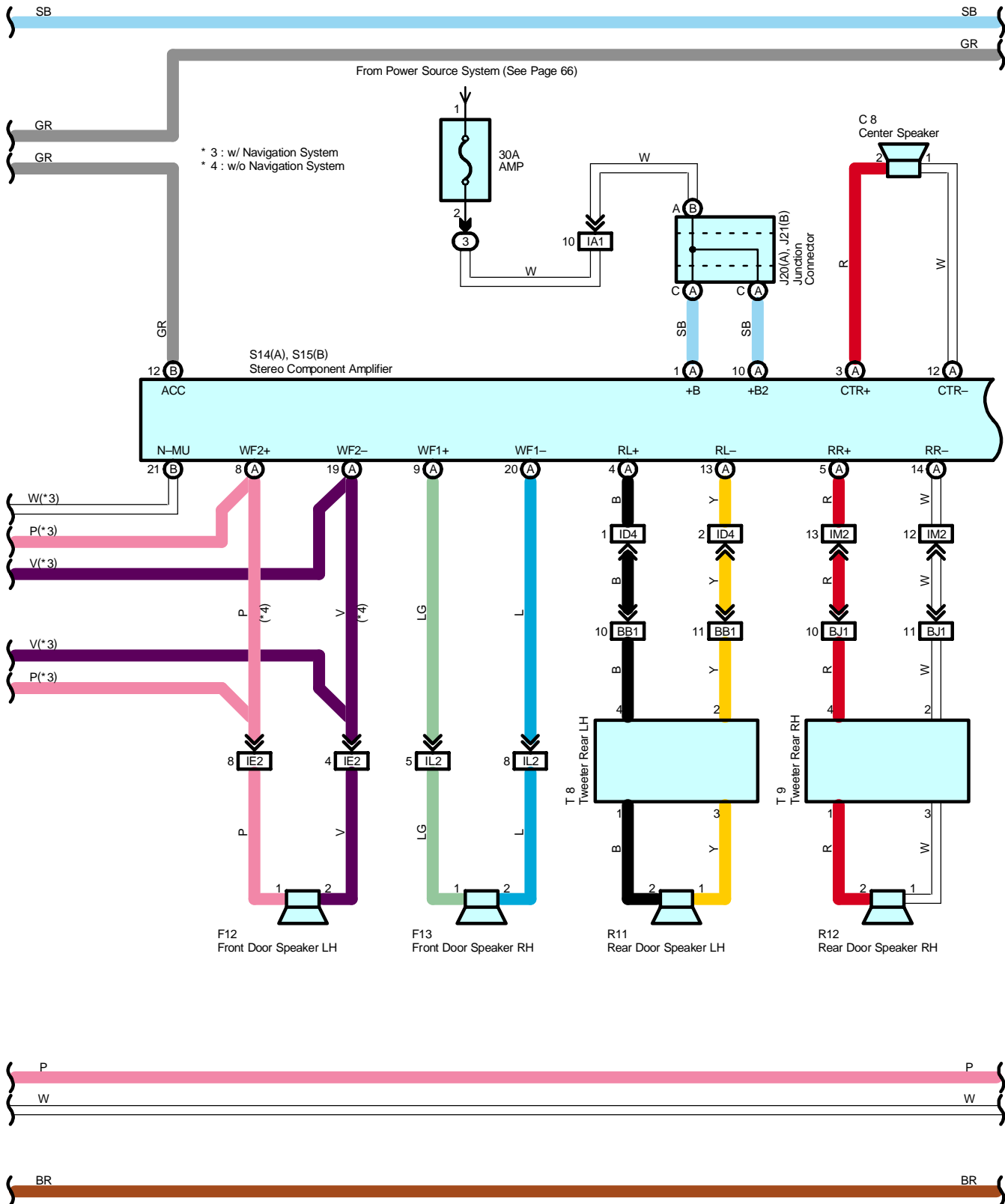
Multi-Display and Audio System with Separate Amplifier



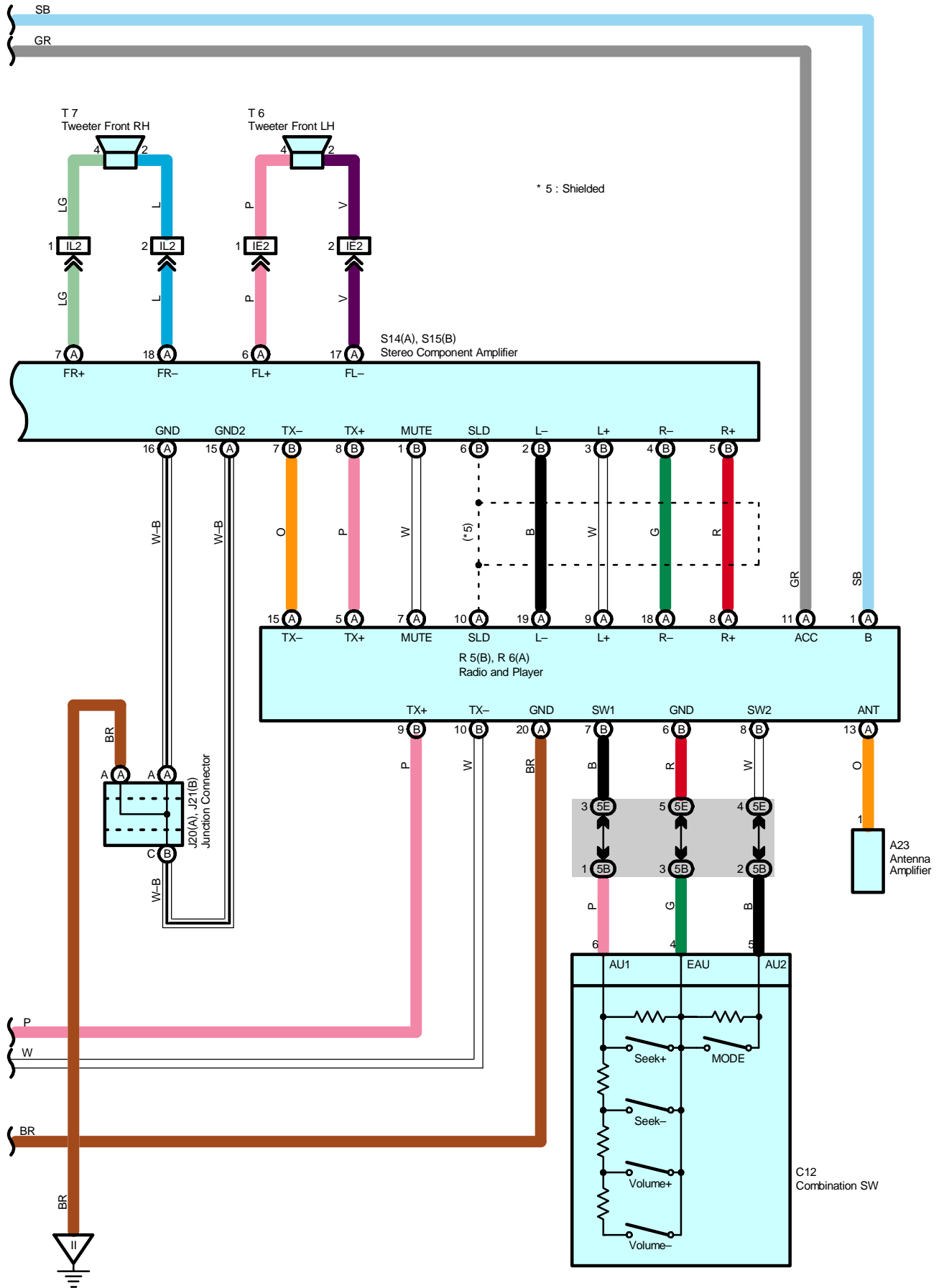


Multi-Display and Audio System with Separate Amplifier





Multi-Display and Audio System with Separate Amplifier



Service Hints

R6 (A) Radio and Player

- (A)11–Ground : Approx. 12 volts with the power SW at ACC ON or IG ON position
- (A) 1–Ground : Always approx. 12 volts
- (A)20–Ground : Always continuity

S14 (A), S15 (B) Stereo Component Amplifier

- (B)12–Ground : Approx. 12 volts with the power SW at ACC ON or IG ON position
- (A) 1, (A) 10–Ground : Always approx. 12 volts
- (A)15, (A) 16–Ground: Always continuity

N2 (A), N4 (C) Navigation ECU

- (A)18–Ground : Approx. 12 volts with the power SW at ACC ON or IG ON position
- (A) 9–Ground : Always approx. 12 volts
- (A) 17, (C) 7–Ground : Always continuity

M13 (A), M14 (B) Multi–Display

- (A)12–Ground : Always approx. 12 volts
- (A)10–Ground : Approx. 12 volts with the power SW at IG ON position
- (A)11–Ground : Approx. 12 volts with the power SW at ACC ON or IG ON position
- (A) 3, (B) 3–Ground : Always continuity

○ : Parts Location

Code	See Page	Code	See Page	Code	See Page
A6	44	J9	48	P8	49
A8	46	J10	48	R5 B	49
A23	46	J15	48	R6 A	49
B5 A	46	J16	48	R11	52
B7 C	46	J17	48	R12	52
B11	50	J18	48	S7 A	49
C8	47	J19	48	S8 B	49
C10	47	J20 A	48	S9 C	49
C12	47	J21 B	48	S10 D	49
D1	47	J24	48	S11	49
E4 A	47	J25	48	S14 A	49
E6 C	47	M13 A	48	S15 B	49
E7 D	47	M14 B	48	T4	49
F12	51	N2 A	48	T5	49
F13	51	N3 B	48	T6	53
F14	51	N4 C	48	T7	53
G1	47	O3	52	T8	53
H14	47	P2	49	T9	53
J6	48	P6	49		

○ : Relay Blocks

Code	See Page	Relay Blocks (Relay Block Location)
3	22	Engine Room R/B (Engine Compartment Left)

Multi-Display and Audio System with Separate Amplifier

: Junction Block and Wire Harness Connector

Code	See Page	Junction Block and Wire Harness (Connector Location)
1A	28	Engine Room Main Wire and Driver Side J/B (Lower Finish Panel)
1F	28	Instrument Panel Wire and Driver Side J/B (Lower Finish Panel)
1G		
1K		
1L		
1M		
3H		
4C	36	Instrument Panel Wire and Center Connector No.1 (Behind the Combination Meter)
4D		
4F		
4H		
4I		
4L		
5B	40	Instrument Panel Wire and Center Connector No.2 (Instrument Panel Brace RH)
5C		
5D		
5E		
5G		
5H		
5I		
5J		
5K		
5L		
5M		
5N		

: Connector Joining Wire Harness and Wire Harness

Code	See Page	Joining Wire Harness and Wire Harness (Connector Location)
EB1	54	Engine Wire and Engine Room Main Wire (Inside of the Engine Room R/B)
IA1	56	Engine Room Main Wire and Instrument Panel Wire (Upper Parts of Front Body Pillar LH)
IA3		
IB1	56	Roof Wire and Instrument Panel Wire (Upper Parts of Front Body Pillar LH)
ID4	56	Instrument Panel Wire and Floor Wire (Left Kick Panel)
IE2	56	Front Door LH Wire and Instrument Panel Wire (Left Kick Panel)
IG1	58	Instrument Panel Wire and Instrument Panel No.2 Wire (Behind the Combination Meter)
IG2		
II1	58	Engine Wire and Instrument Panel Wire (Behind the Glove Box)
IJ3	58	Engine Room Main Wire and Instrument Panel Wire (Behind the Glove Box)
IL2	58	Front Door RH Wire and Instrument Panel Wire (Right Kick Panel)
IM1	58	Instrument Panel Wire and Floor No.2 Wire (Right Kick Panel)
IM2		
BB1	60	Rear Door No.2 Wire and Floor Wire (Left Center Pillar)
BJ1	62	Rear Door No.1 Wire and Floor No.2 Wire (Right Center Pillar)

: Ground Points

Code	See Page	Ground Points Location
IH	56	Cowl Side Panel LH
II	56	Instrument Panel Brace LH

