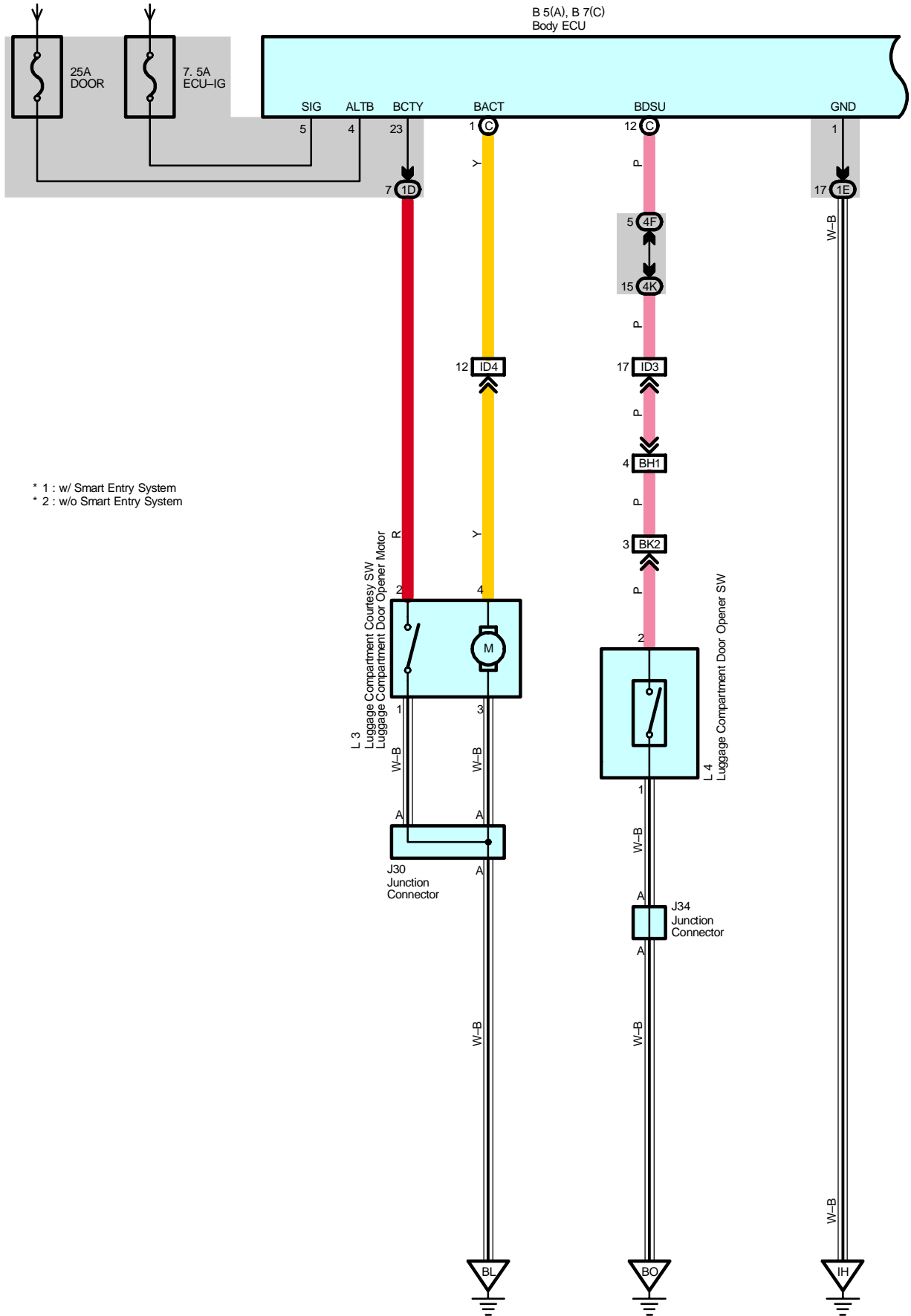
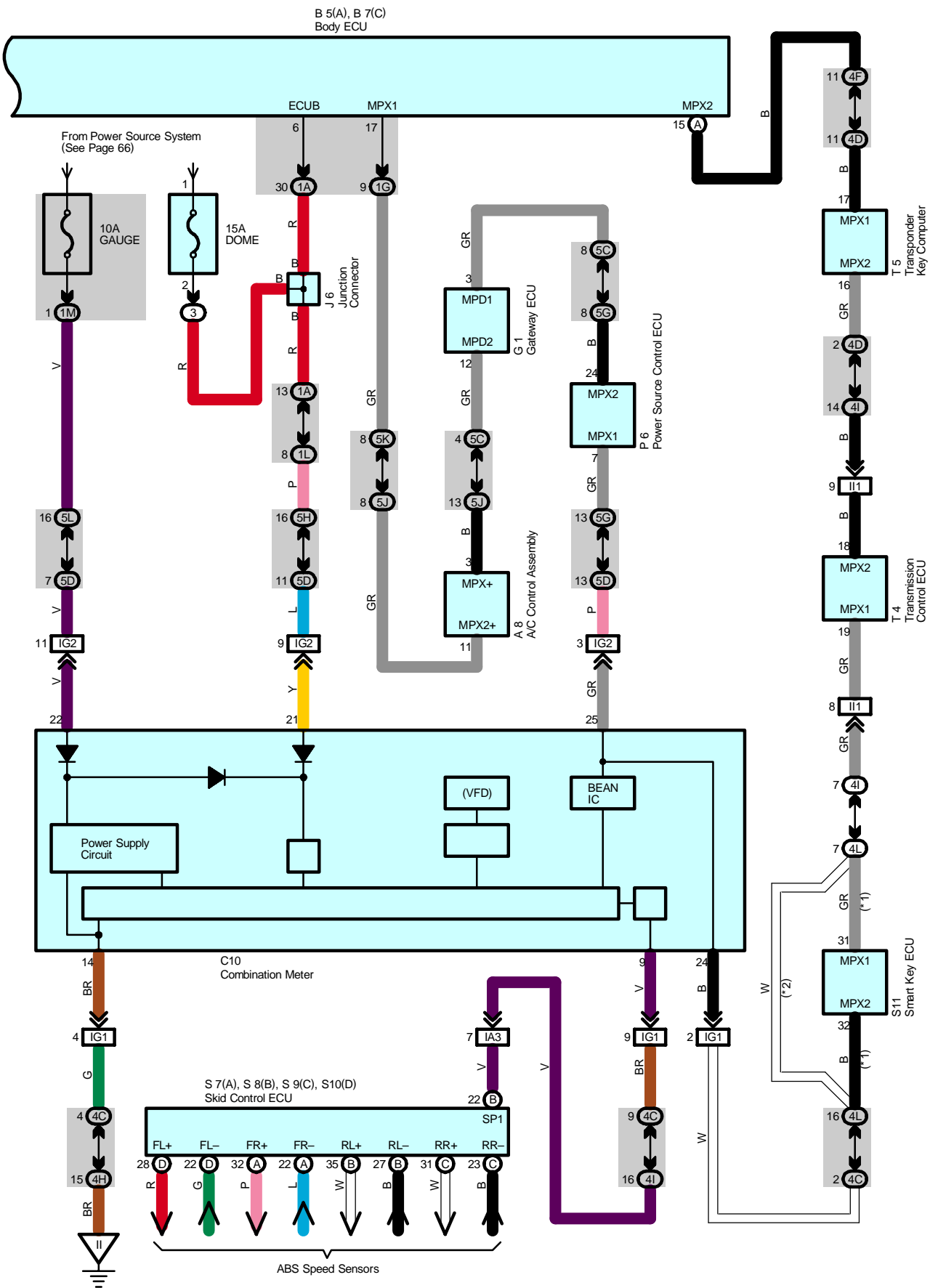


# Luggage Compartment Door Opener

From Power Source System (See Page 66)



- \* 1 : w/ Smart Entry System
- \* 2 : w/o Smart Entry System



# Luggage Compartment Door Opener

## System Outline

If the vehicle is stationary (Slower than 5 km/h) and luggage compartment door is unlocked, the luggage compartment door opener motor activates with control of body ECU when luggage compartment door opener SW is pushed. It results in releasing latch of luggage compartment door to open luggage compartment door.

## Service Hints

### Body ECU

- 4, 6–Ground : Always approx. 12 volts
- 1–Ground : Always continuity
- 5–Ground : Approx. 12 volts with the power SW at IG ON position
- 23–Ground : Continuity with the luggage compartment door open

## ○ : Parts Location

Code	See Page	Code	See Page	Code	See Page
A8	46	J30	51	S8	B 49
B5	A 46	J34	51	S9	C 49
B7	C 46	L3	51	S10	D 49
C10	47	L4	51	S11	49
G1	47	P6	49	T4	49
J6	48	S7	A 49	T5	49

## ○ : Relay Blocks

Code	See Page	Relay Blocks (Relay Block Location)
3	22	Engine Room R/B (Engine Compartment Left)

## ○ : Junction Block and Wire Harness Connector

Code	See Page	Junction Block and Wire Harness (Connector Location)
1A	28	Engine Room Main Wire and Driver Side J/B (Lower Finish Panel)
1D	28	Floor Wire and Driver Side J/B (Lower Finish Panel)
1E	28	Instrument Panel Wire and Driver Side J/B (Lower Finish Panel)
1G		
1L		
1M		
1N		
4C	36	Instrument Panel Wire and Center Connector No.1 (Behind the Combination Meter)
4D		
4F		
4H		
4I		
4K		
4L	40	Instrument Panel Wire and Center Connector No.2 (Instrument Panel Brace RH)
5C		
5D		
5G		
5H		
5J		
5K		
5L		

 : **Connector Joining Wire Harness and Wire Harness**

Code	See Page	Joining Wire Harness and Wire Harness (Connector Location)
IA3	56	Engine Room Main Wire and Instrument Panel Wire (Upper Parts of Front Body Pillar LH)
ID3	56	Instrument Panel Wire and Floor Wire (Left Kick Panel)
ID4		
IG1	58	Instrument Panel Wire and Instrument Panel No.2 Wire (Behind the Combination Meter)
IG2		
II1	58	Engine Wire and Instrument Panel Wire (Behind the Glove Box)
BH1	62	Back Door No.1 Wire and Floor Wire (Rear Side of Roof Panel)
BK2	62	Back Door No.1 Wire and Back Door No.2 Wire (Rear Side of Roof Panel)

 : **Ground Points**

Code	See Page	Ground Points Location
IH	56	Cowl Side Panel LH
II	56	Instrument Panel Brace LH
BL	60	Rear Side of Left Quarter Panel
BO	60	Center of the Back Door Panel