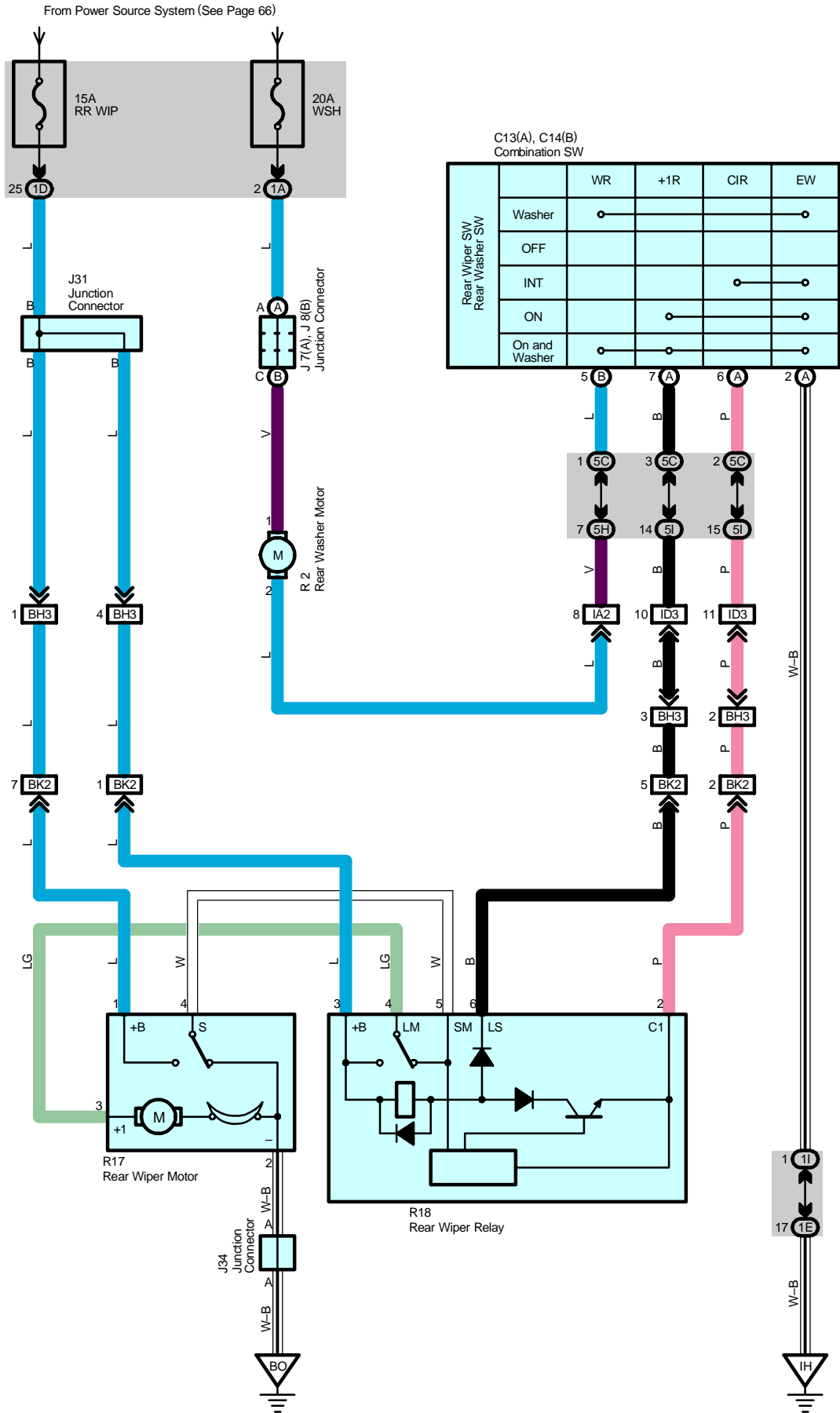


Rear Wiper and Washer



System Outline

When the power SW is pushed to IG ON position, the current flows from the WSH fuse to rear washer motor TERMINAL 1, and the current flows from the RR WIP fuse to rear wiper relay TERMINAL 3, and to the rear wiper motor TERMINAL 1 respectively.

1. Rear Wiper Normal Operation

When the power SW is pushed to IG ON position, and the rear wiper and washer SW is turned to ON position, the current flows from the rear wiper relay TERMINAL 3 to TERMINAL 6 to the rear wiper and washer SW TERMINAL (A) 7 to TERMINAL (A) 2 to GROUND, and turns on the rear wiper relay. As a result, the current flows from the rear wiper relay TERMINAL 3 to TERMINAL 4 to the rear wiper motor TERMINAL 3 to TERMINAL 2 to GROUND, and operates the rear wiper.

2. Rear Wiper Intermittent Operation

When the power SW is pushed to IG ON position, and the rear wiper and washer SW is turned to INT position, the current flows from the rear wiper relay TERMINAL 3 to TERMINAL 2 to the rear wiper and washer SW TERMINAL (A) 6 to TERMINAL (A) 2 to GROUND, and the intermittent circuit in the rear wiper relay is controlled to operate the wiper intermittently.

3. Washer Operation

When the power SW is pushed to IG ON position, and the rear wiper and washer SW is turned from OFF to WASHER position, the current flows from the WSH fuse to the rear washer motor TERMINAL 1 to TERMINAL 2 to the rear wiper and washer SW TERMINAL (B) 5 to TERMINAL (A) 2 to GROUND. This activates the rear washer motor, and the window washer sprays washer liquid. When the rear wiper and washer SW is turned to ON position, the window washer sprays washer liquid during normal operation of rear wiper.

Service Hints

R2 Rear Washer Motor

- 1-Ground : Approx. 12 volts with the power SW at IG ON position
- 2-Ground : Continuity with the rear wiper and washer SW at WASHER position

R17 Rear Wiper Motor

- 1-Ground : Approx. 12 volts with the power SW at IG ON position
- 2-Ground : Always continuity

○ : Parts Location

Code	See Page	Code	See Page	Code	See Page
C13	A 47	J8	B 48	R2	45
C14	B 47	J31	51	R17	52
J7	A 48	J34	51	R18	52

○ : Junction Block and Wire Harness Connector

Code	See Page	Junction Block and Wire Harness (Connector Location)
1A	28	Engine Room Main Wire and Driver Side J/B (Lower Finish Panel)
1D	28	Floor Wire and Driver Side J/B (Lower Finish Panel)
1E	28	Instrument Panel Wire and Driver Side J/B (Lower Finish Panel)
1I		
5C	40	Instrument Panel Wire and Center Connector No.2 (Instrument Panel Brace RH)
5H		
5I		

□ : Connector Joining Wire Harness and Wire Harness

Code	See Page	Joining Wire Harness and Wire Harness (Connector Location)
IA2	56	Engine Room Main Wire and Instrument Panel Wire (Upper Parts of Front Body Pillar LH)
ID3	56	Instrument Panel Wire and Floor Wire (Left Kick Panel)
BH3	62	Back Door No.1 Wire and Floor Wire (Rear Side of Roof Panel)
BK2	62	Back Door No.1 Wire and Back Door No.2 Wire (Rear Side of Roof Panel)

Rear Wiper and Washer



: **Ground Points**

Code	See Page	Ground Points Location
IH	56	Cowl Side Panel LH
BO	60	Center of the Back Door Panel

