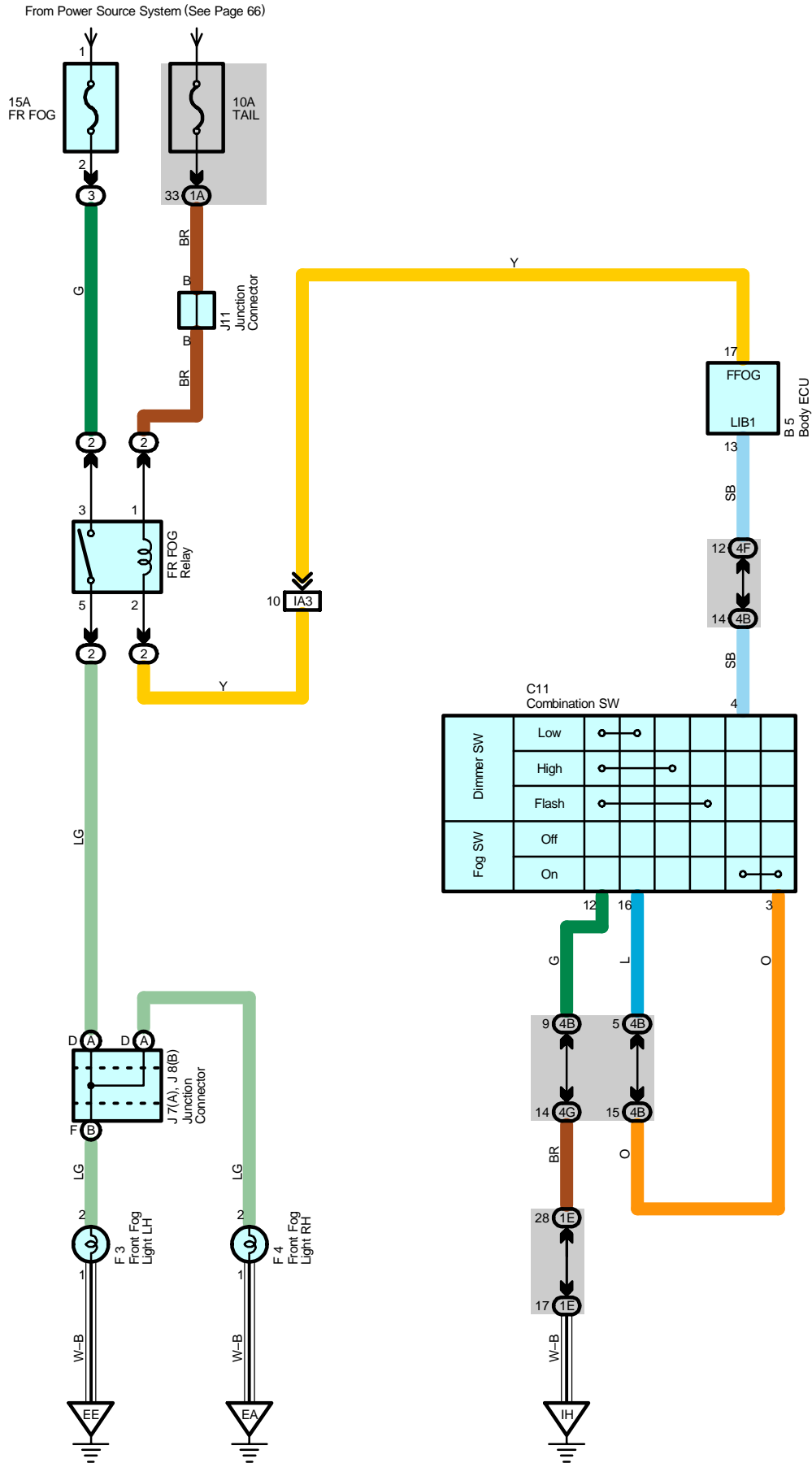


Front Fog Light



Service Hints**FR FOG Relay**

3-5 : Closed with the light control SW at TAIL position, dimmer SW at LOW position and fog light SW at ON position

 : **Parts Location**

Code	See Page	Code	See Page	Code	See Page
B5	46	F4	44	J11	48
C11	47	J7	A	48	
F3	44	J8	B	48	

 : **Relay Blocks**

Code	See Page	Relay Blocks (Relay Block Location)
2	26	Engine Room R/B No.2 (Right Side of Reserve Tank)
3	22	Engine Room R/B (Engine Compartment Left)

 : **Junction Block and Wire Harness Connector**

Code	See Page	Junction Block and Wire Harness (Connector Location)
1A	28	Engine Room Main Wire and Driver Side J/B (Lower Finish Panel)
1E	28	Instrument Panel Wire and Driver Side J/B (Lower Finish Panel)
4B	36	Instrument Panel Wire and Center Connector No.1 (Behind the Combination Meter)
4F		
4G		

 : **Connector Joining Wire Harness and Wire Harness**

Code	See Page	Joining Wire Harness and Wire Harness (Connector Location)
IA3	56	Engine Room Main Wire and Instrument Panel Wire (Upper Parts of Front Body Pillar LH)

 : **Ground Points**

Code	See Page	Ground Points Location
EA	54	Right Side of the Fender Apron
EE	54	Left Side of the Suspension Tower
IH	56	Cowl Side Panel LH