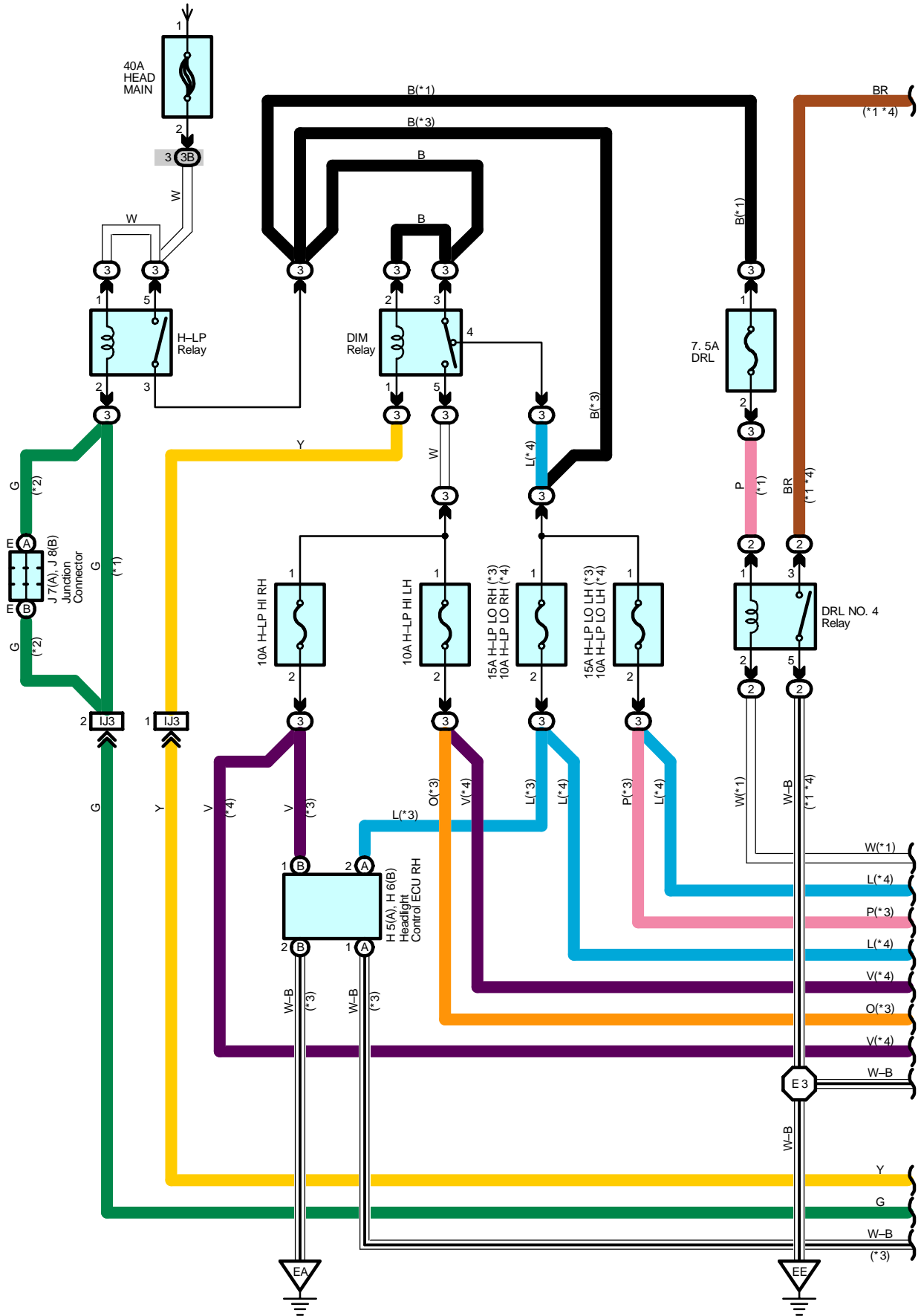
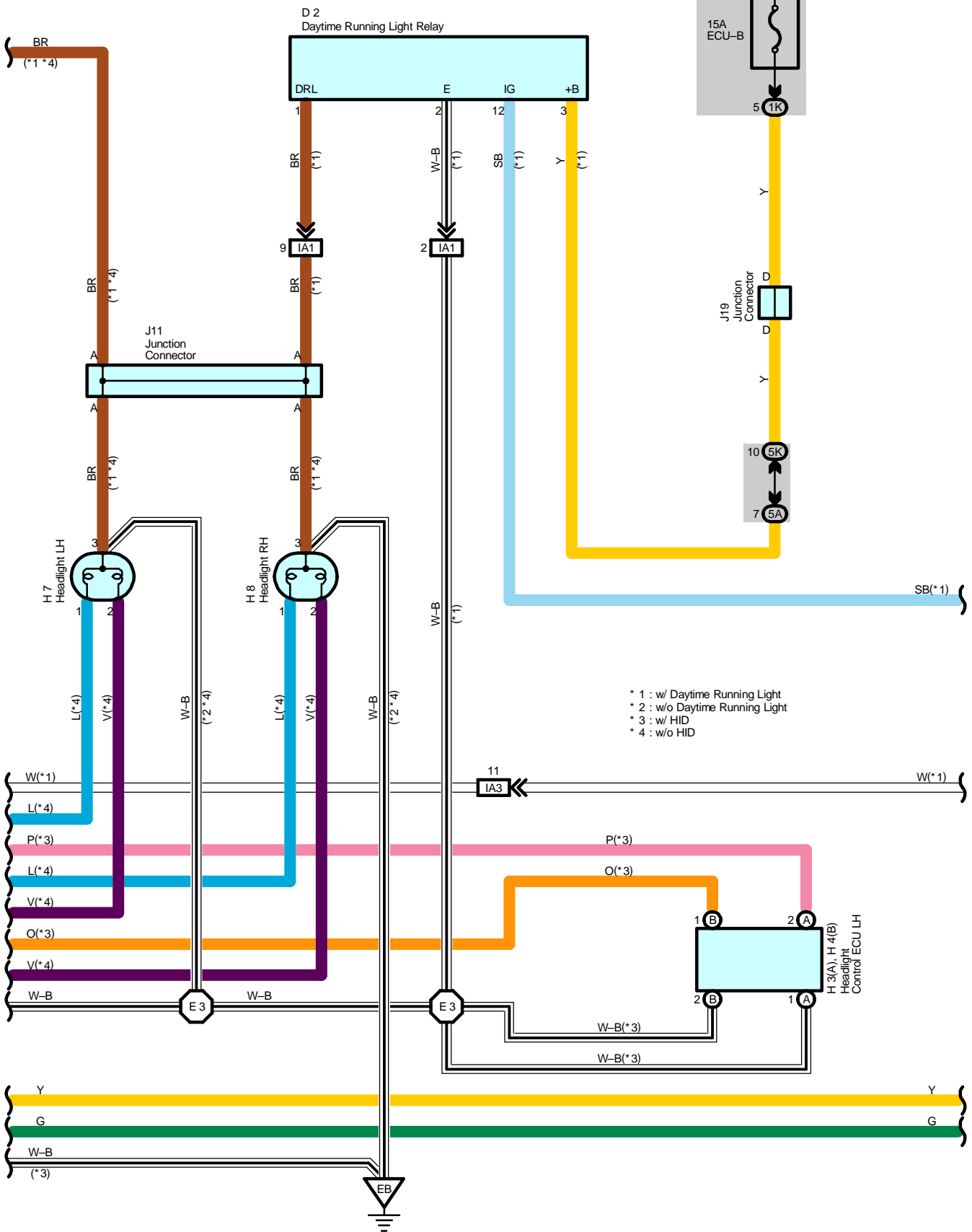


Headlight

From Power Source System (See Page 66)



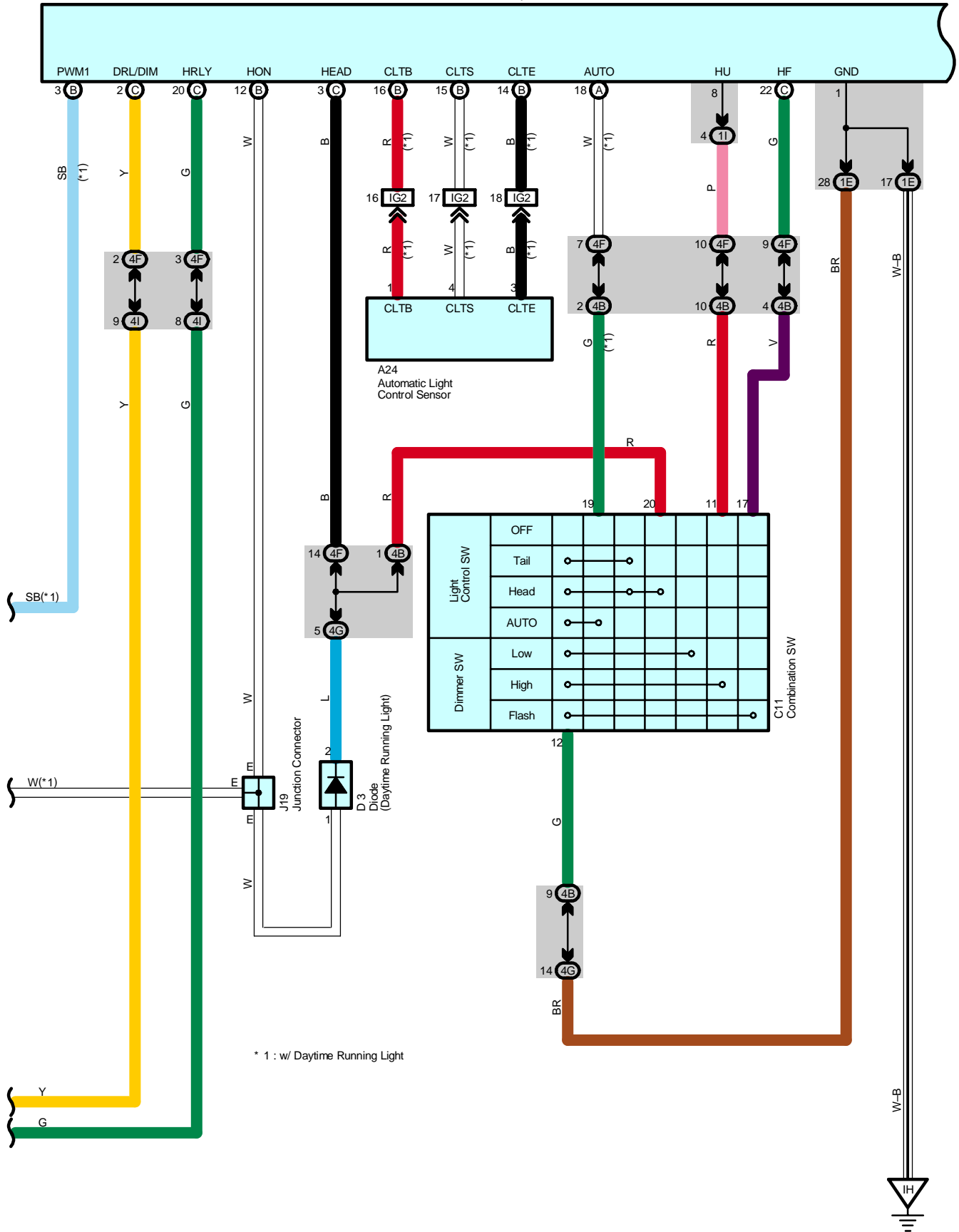
From Power Source System (See Page 66)



- * 1 : w/ Daytime Running Light
- * 2 : w/o Daytime Running Light
- * 3 : w/ HID
- * 4 : w/o HID

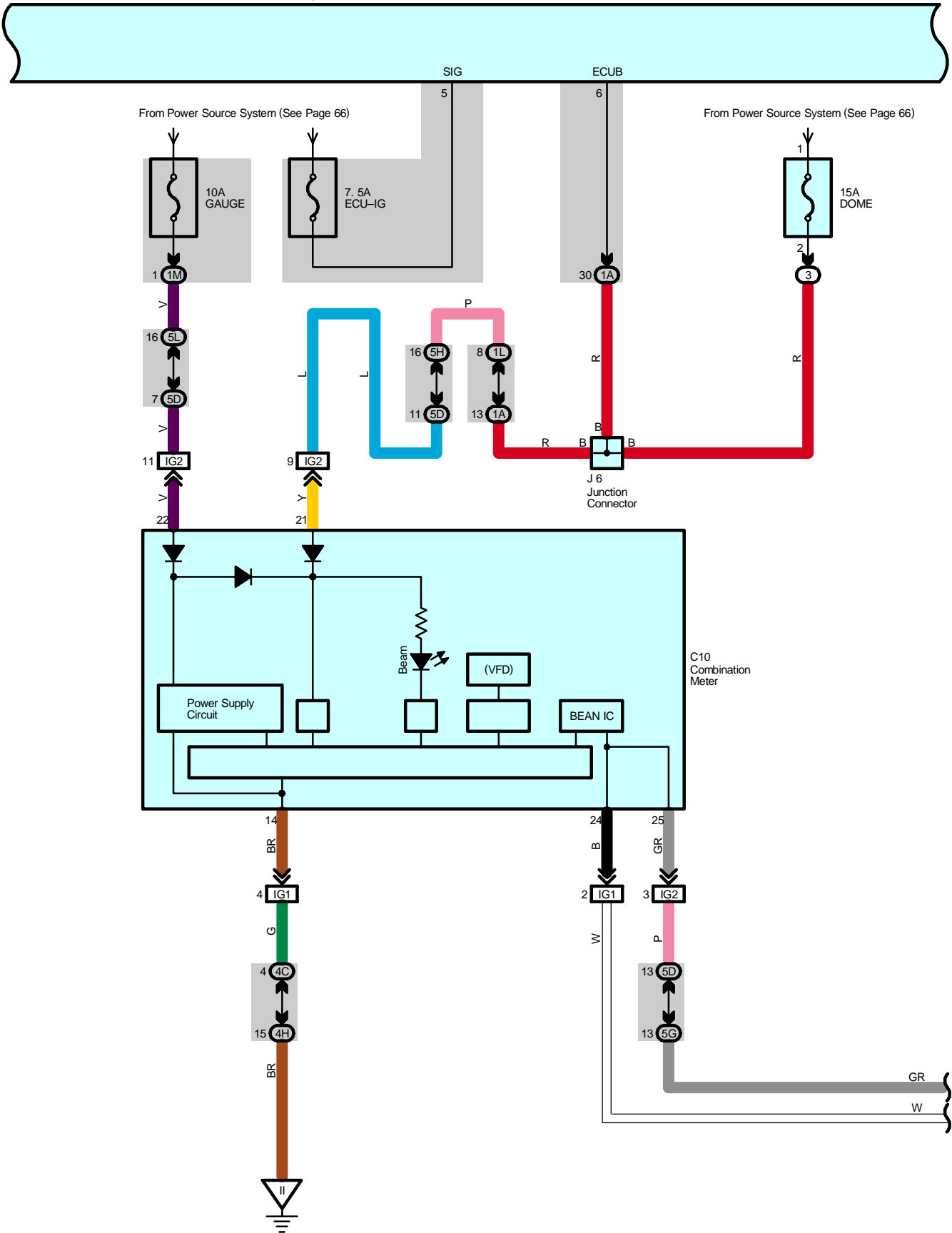
Headlight

B 5(A), B 6(B), B 7(C)
Body ECU



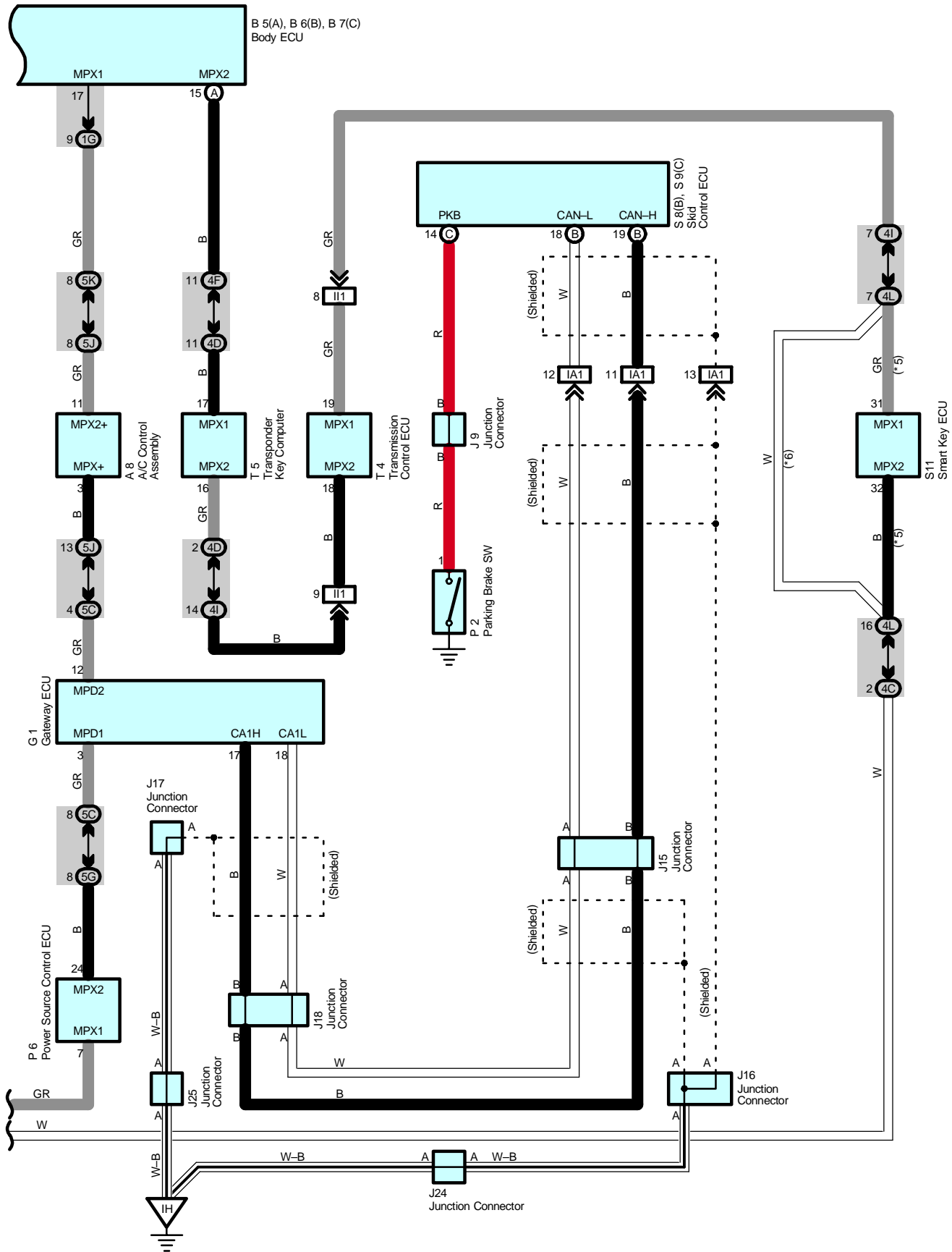
* 1 : w/ Daytime Running Light

B 5(A), B 6(B), B 7(C)
Body ECU



Headlight

* 5 : w/ Smart Entry System
 * 6 : w/o Smart Entry System



System Outline

Daytime Running Light Function

When power SW is at IG ON position and the vehicle is ready to drive (READY lamp on the display in combination meter is on), releasing parking brake makes signal go into TERMINAL PKB of body ECU. In this condition, when light control SW is at Off/Tail/AUTO position (Headlight is not lit), body ECU sends daytime operation request from TERMINAL DRL/DIM to daytime running light relay. As a result, daytime running light relay duty-operates headlights (Dimmer than regular lighting)

Service Hints

C11 Combination SW

20-12 : Continuity with the light control SW at HEAD position

17-12 : Continuity with the dimmer SW at FLASH position

11-12 : Continuity with the dimmer SW at HIGH position

○ : Parts Location

Code	See Page	Code	See Page	Code	See Page
A8	46	H5 A	44	J18	48
A24	46	H6 B	44	J19	48
B5 A	46	H7	44	J24	48
B6 B	46	H8	44	J25	48
B7 C	46	J6	48	P2	49
C10	47	J7 A	48	P6	49
C11	47	J8 B	48	S8 B	49
D2	47	J9	48	S9 C	49
D3	47	J11	48	S11	49
G1	47	J15	48	T4	49
H3 A	44	J16	48	T5	49
H4 B	44	J17	48		

○ : Relay Blocks

Code	See Page	Relay Blocks (Relay Block Location)
2	26	Engine Room R/B No.2 (Right Side of Reserve Tank)
3	22	Engine Room R/B (Engine Compartment Left)

Headlight

: Junction Block and Wire Harness Connector

Code	See Page	Junction Block and Wire Harness (Connector Location)
1A	28	Engine Room Main Wire and Driver Side J/B (Lower Finish Panel)
1E	28	Instrument Panel Wire and Driver Side J/B (Lower Finish Panel)
1G		
1I		
1K		
1L		
1M		
3B	22	Engine Room Main Wire and Engine Room J/B (Engine Compartment Left)
4B	36	Instrument Panel Wire and Center Connector No.1 (Behind the Combination Meter)
4C		
4D		
4F		
4G		
4H		
4I		
4L		
5A	40	Instrument Panel Wire and Center Connector No.2 (Instrument Panel Brace RH)
5C		
5D		
5G		
5H		
5J		
5K		
5L		

: Connector Joining Wire Harness and Wire Harness

Code	See Page	Joining Wire Harness and Wire Harness (Connector Location)
IA1	56	Engine Room Main Wire and Instrument Panel Wire (Upper Parts of Front Body Pillar LH)
IA3		
IG1	58	Instrument Panel Wire and Instrument Panel No.2 Wire (Behind the Combination Meter)
IG2		
II1	58	Engine Wire and Instrument Panel Wire (Behind the Glove Box)
IJ3	58	Engine Room Main Wire and Instrument Panel Wire (Behind the Glove Box)

: Ground Points

Code	See Page	Ground Points Location
EA	54	Right Side of the Fender Apron
EB		
EE	54	Left Side of the Suspension Tower
IH	56	Cowl Side Panel LH
II	56	Instrument Panel Brace LH

: Splice Points

Code	See Page	Wire Harness with Splice Points	Code	See Page	Wire Harness with Splice Points
E3	54	Engine Room Main Wire			

