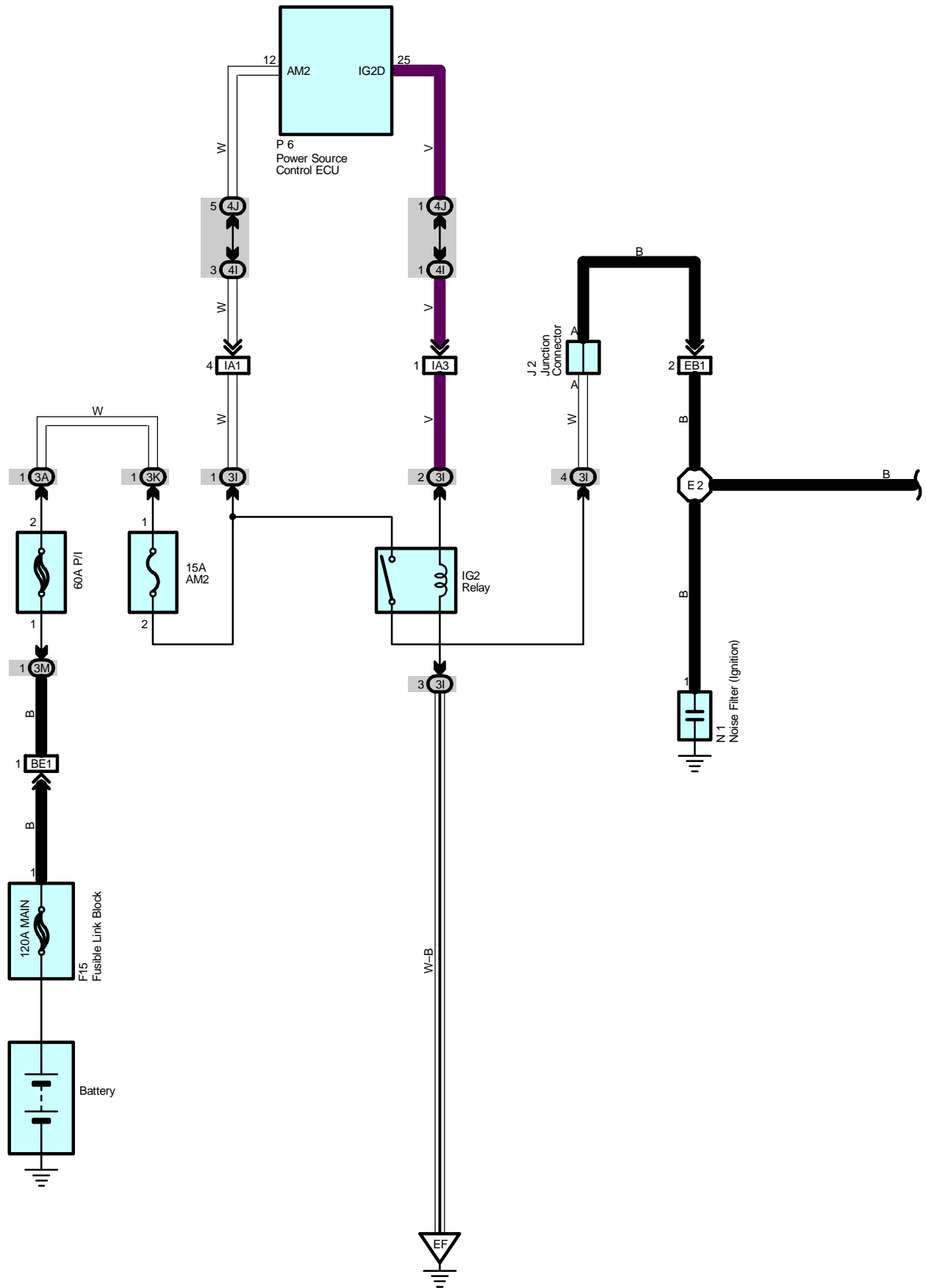
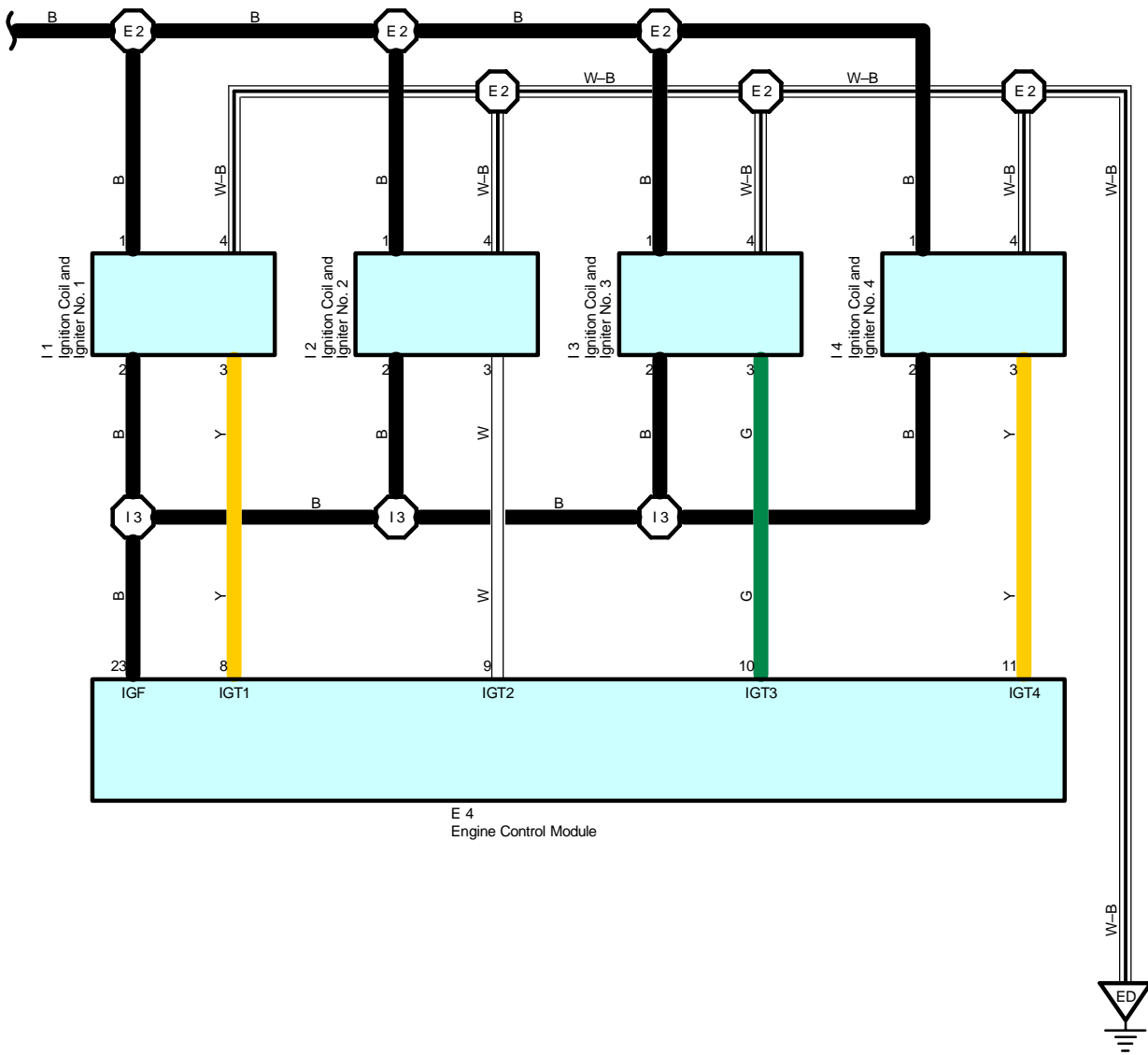


Ignition





Ignition

Service Hints

I1, I2, I3, I4 Ignition Coil and Igniter No.1, No.2, No.3, No.4

1-Ground : Approx. 12 volts with the power SW at IG ON position

4-Ground : Always continuity

○ : Parts Location

Code	See Page	Code	See Page	Code	See Page
E4	47	I2	45	J2	45
F15	51	I3	45	N1	45
I1	45	I4	45	P6	49

○ : Junction Block and Wire Harness Connector

Code	See Page	Junction Block and Wire Harness (Connector Location)
3A	22	Engine Room Main Wire and Engine Room J/B (Engine Compartment Left)
3I		
3K		
3M	22	Frame Wire and Engine Room J/B (Engine Compartment Left)
4I	36	Instrument Panel Wire and Center Connector No.1 (Behind the Combination Meter)
4J		

□ : Connector Joining Wire Harness and Wire Harness

Code	See Page	Joining Wire Harness and Wire Harness (Connector Location)
EB1	54	Engine Wire and Engine Room Main Wire (Inside of the Engine Room R/B)
IA1	56	Engine Room Main Wire and Instrument Panel Wire (Upper Parts of Front Body Pillar LH)
IA3		
BE1	60	Frame Wire and Floor No.2 Wire (Front Side of Left Quarter Panel)

▽ : Ground Points

Code	See Page	Ground Points Location
ED	54	Engine Block
EF	54	Left Side of the Suspension Tower

○ : Splice Points

Code	See Page	Wire Harness with Splice Points	Code	See Page	Wire Harness with Splice Points
E2	54	Engine Wire	I3	58	Engine Wire

