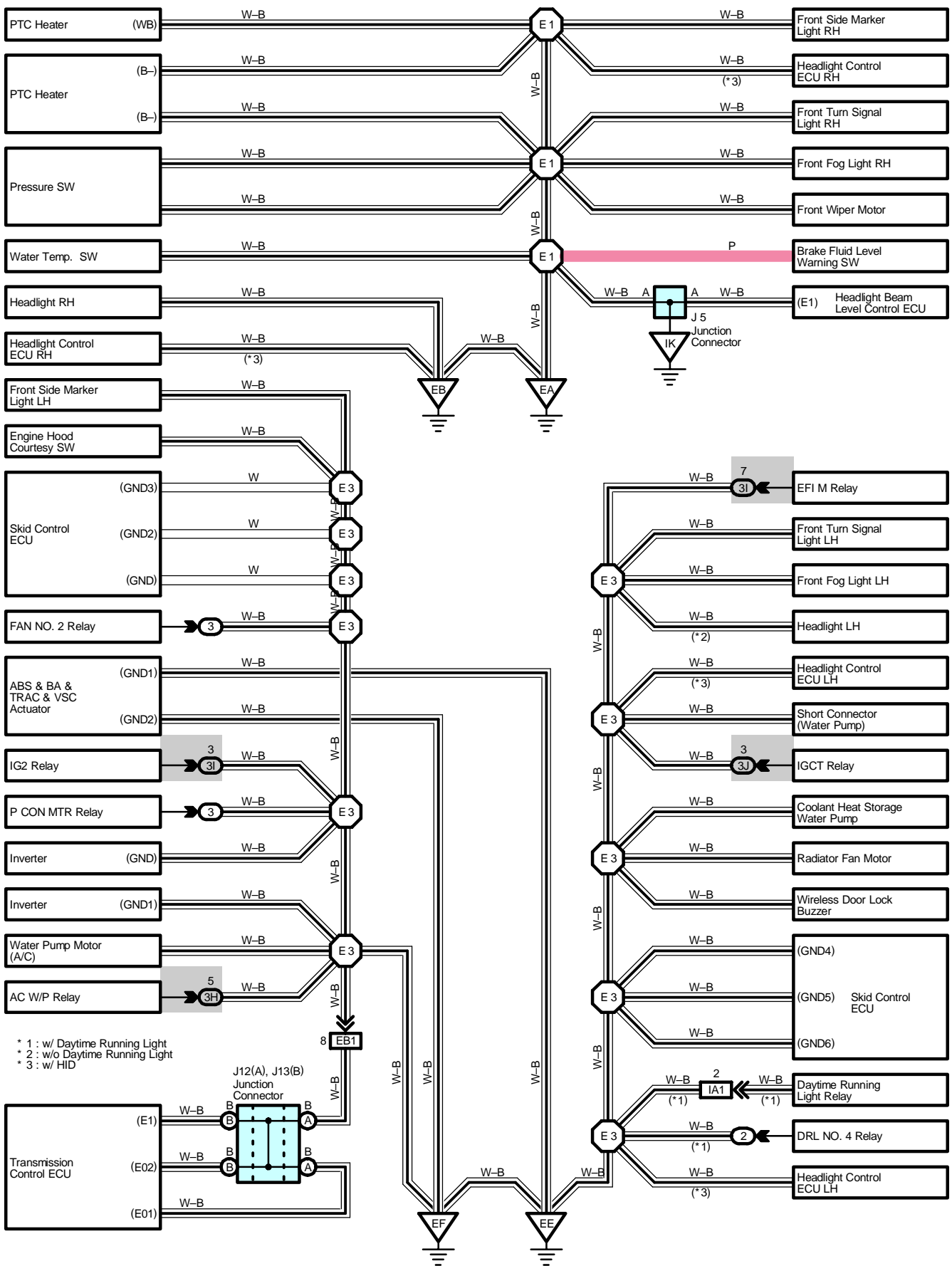
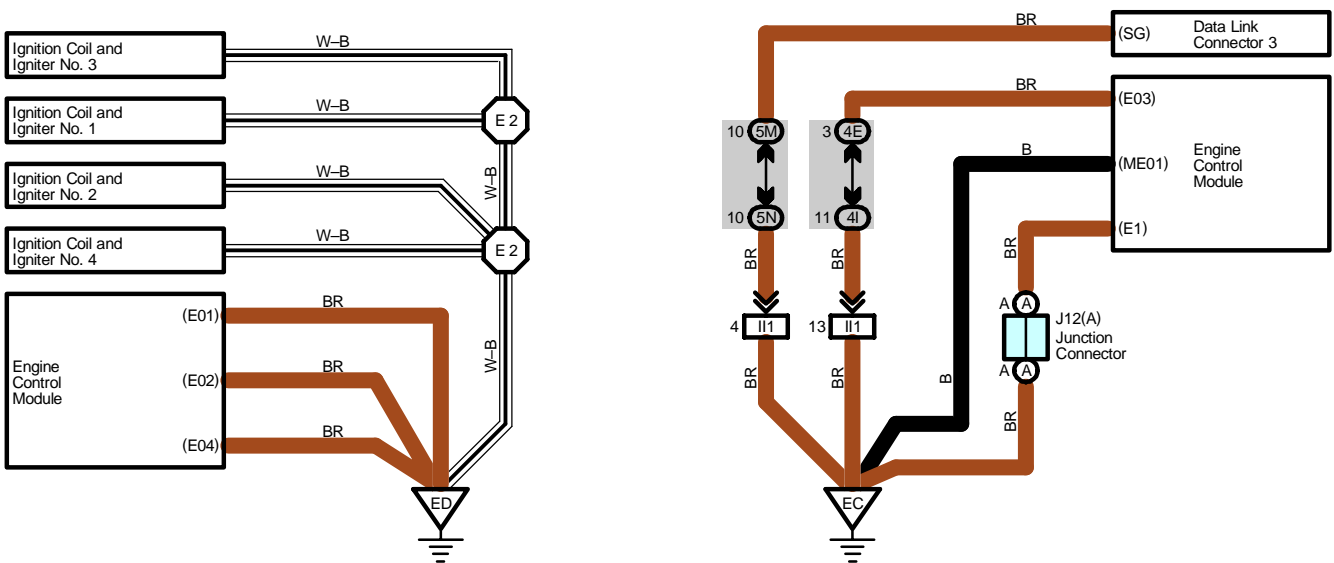
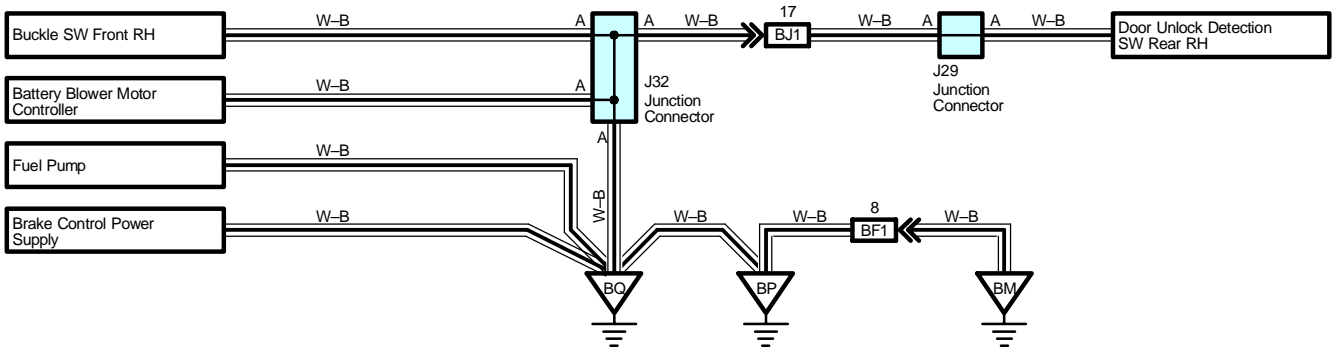
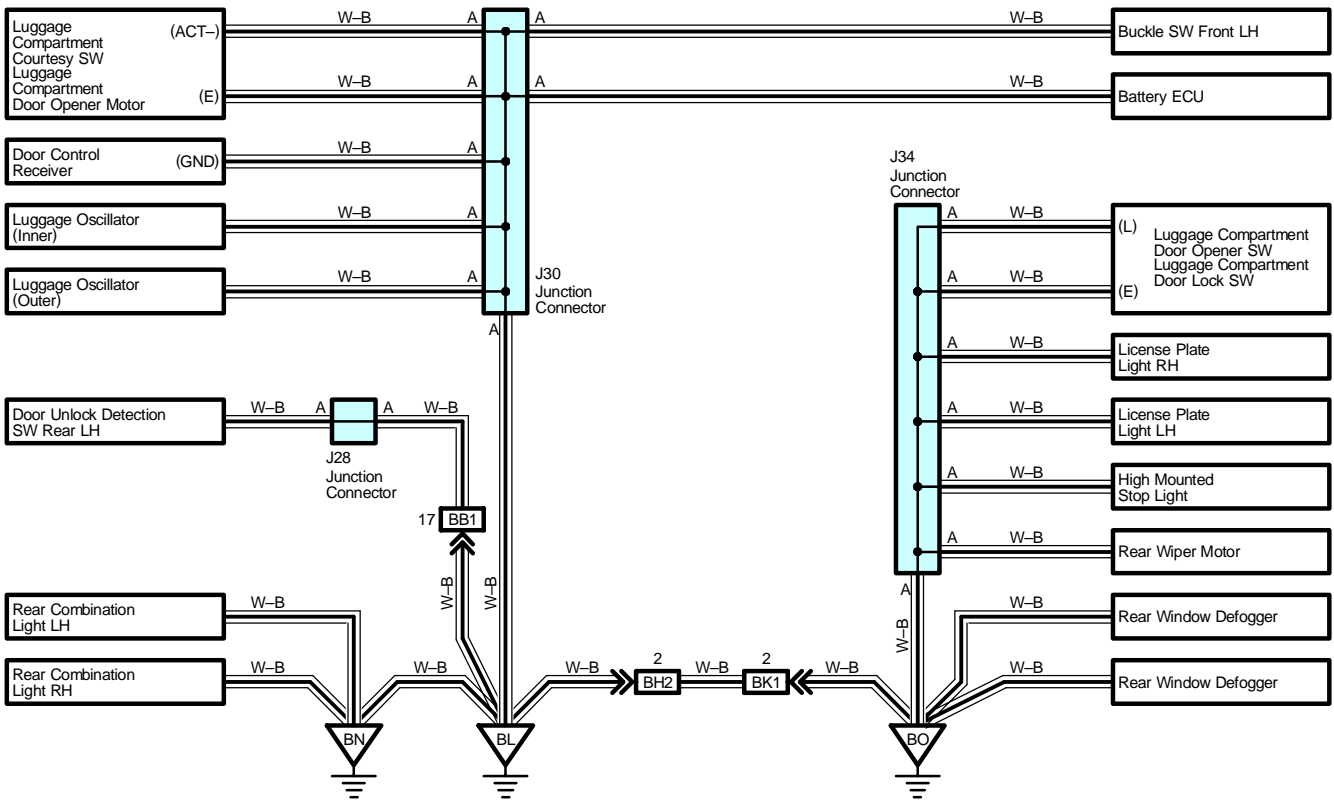
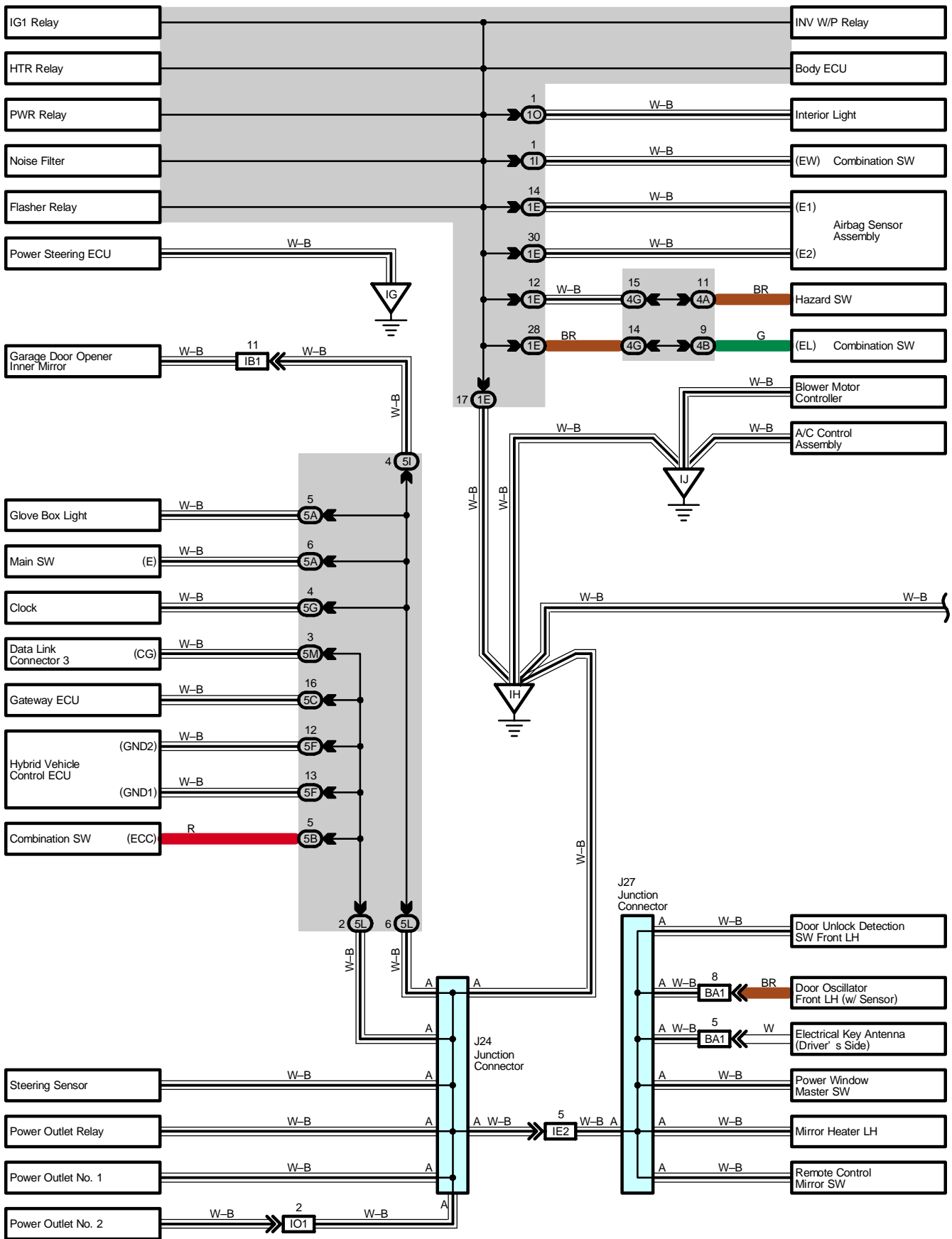


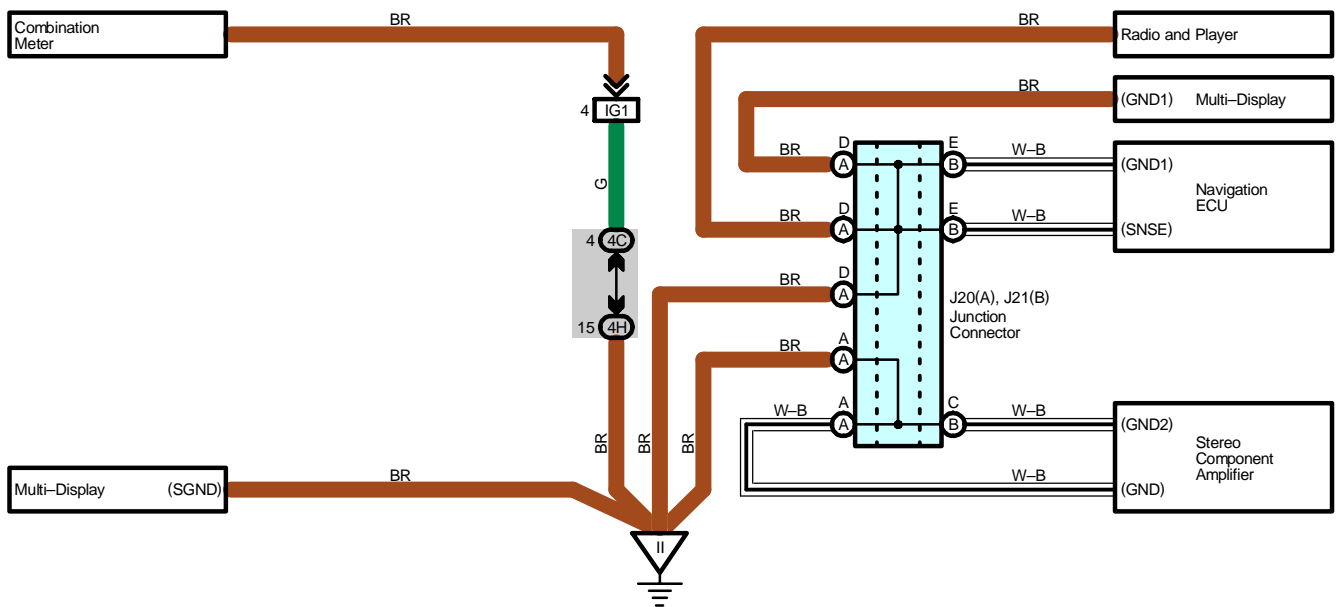
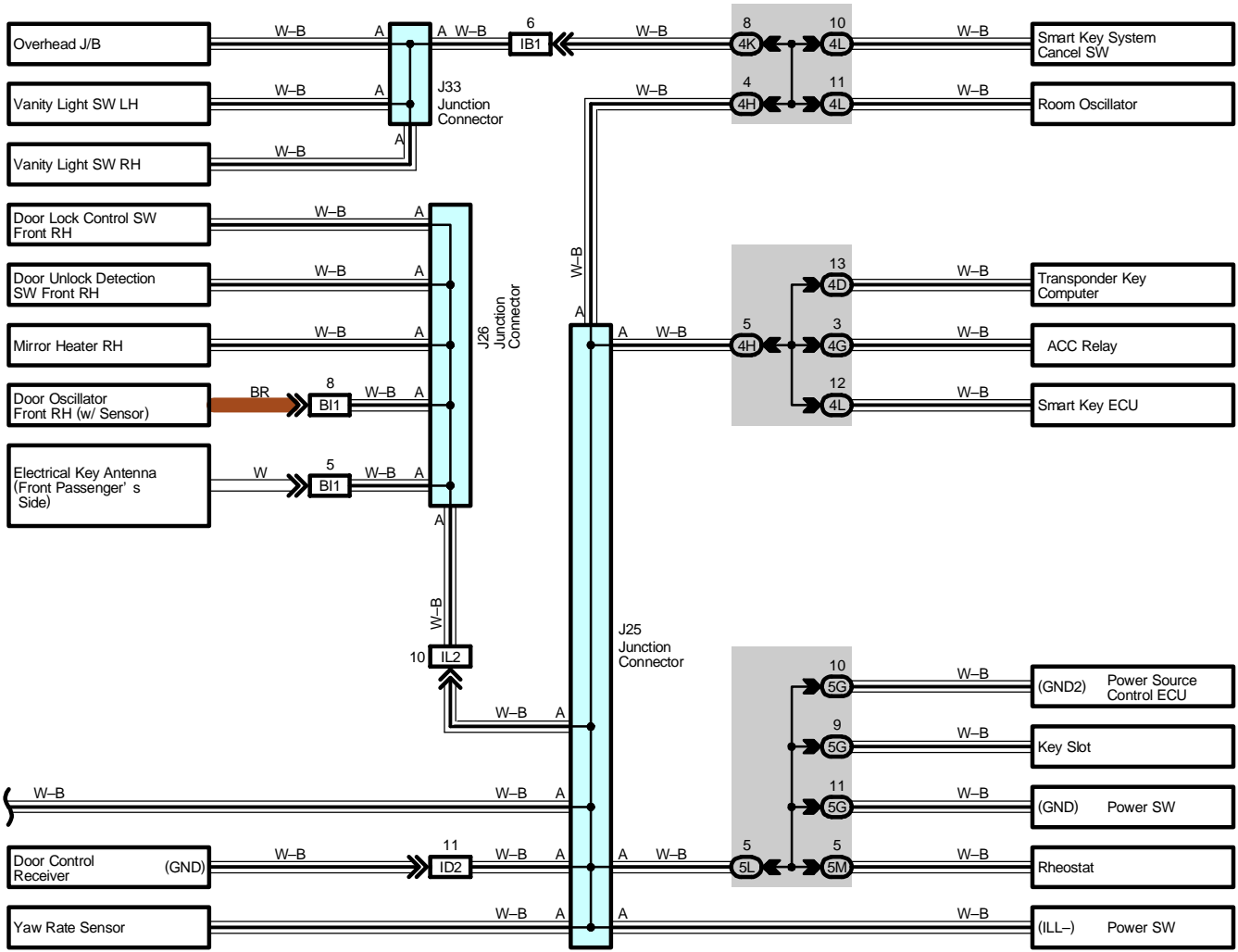
# I GROUND POINT





# I GROUND POINT





# I GROUND POINT

## ○ : Parts Location

Code	See Page	Code	See Page	Code	See Page
J5	48	J24	48	J29	51
J12	A 48	J25	48	J30	51
J13	B 48	J26	51	J32	51
J20	A 48	J27	51	J33	51
J21	B 48	J28	51	J34	51

## ○ : Relay Blocks

Code	See Page	Relay Blocks (Relay Block Location)
2	26	Engine Room R/B No.2 (Right Side of Reserve Tank)
3	22	Engine Room R/B (Engine Compartment Left)

## ○ : Junction Block and Wire Harness Connector

Code	See Page	Junction Block and Wire Harness (Connector Location)
1E	28	Instrument Panel Wire and Driver Side J/B (Lower Finish Panel)
1I		
1O	28	Roof Wire and Driver Side J/B (Lower Finish Panel)
3H	22	Engine Room Main Wire and Engine Room J/B (Engine Compartment Left)
3I		
3J		
4A	36	Instrument Panel Wire and Center Connector No.1 (Behind the Combination Meter)
4B		
4C		
4D		
4E		
4G		
4H		
4I		
4K		
4L		
5A	40	Instrument Panel Wire and Center Connector No.2 (Instrument Panel Brace RH)
5B		
5C		
5F		
5G		
5I		
5L		
5M		
5N		

 : Connector Joining Wire Harness and Wire Harness

Code	See Page	Joining Wire Harness and Wire Harness (Connector Location)
EB1	54	Engine Wire and Engine Room Main Wire (Inside of the Engine Room R/B)
IA1	56	Engine Room Main Wire and Instrument Panel Wire (Upper Parts of Front Body Pillar LH)
IB1	56	Roof Wire and Instrument Panel Wire (Upper Parts of Front Body Pillar LH)
ID2	56	Instrument Panel Wire and Floor Wire (Left Kick Panel)
IE2	56	Front Door LH Wire and Instrument Panel Wire (Left Kick Panel)
IG1	58	Instrument Panel Wire and Instrument Panel No.2 Wire (Behind the Combination Meter)
II1	58	Engine Wire and Instrument Panel Wire (Behind the Glove Box)
IL2	58	Front Door RH Wire and Instrument Panel Wire (Right Kick Panel)
IO1	58	Instrument Panel Wire and Instrument Panel No.4 Wire (Front Console Box LH)
BA1	60	Front Door LH Wire and Electrical Key LH Wire (Near the Front Door Outside Handle LH)
BB1	60	Rear Door No.2 Wire and Floor Wire (Left Center Pillar)
BF1	60	Floor No.2 Wire and Fuel Tank Wire (Near the Fuel Tank)
BH2	62	Back Door No.1 Wire and Floor Wire (Rear Side of Roof Panel)
BI1	62	Front Door RH Wire and Electrical Key RH Wire (Near the Front Door Outside Handle RH)
BJ1	62	Rear Door No.1 Wire and Floor No.2 Wire (Right Center Pillar)
BK1	62	Back Door No.1 Wire and Back Door No.2 Wire (Rear Side of Roof Panel)

 : Ground Points

Code	See Page	Ground Points Location
EA	54	Right Side of the Fender Apron
EB		
EC	54	Engine Block
ED		
EE	54	Left Side of the Suspension Tower
EF		
IG	56	Cowl Side Panel LH
IH		
II	56	Instrument Panel Brace LH
IJ	56	Instrument Panel Brace RH
IK	56	Cowl Side Panel RH
BL	60	Rear Side of Left Quarter Panel
BM	60	Near the Fuel Tank
BN	60	Lower Back Panel Center
BO	60	Center of the Back Door Panel
BP	60	Front Side of Right Quarter Panel
BQ	60	Rear Side of Right Quarter Panel

 : Splice Points

Code	See Page	Wire Harness with Splice Points	Code	See Page	Wire Harness with Splice Points
E1	54	Engine Room Main Wire	E3	54	Engine Room Main Wire
E2	54	Engine Wire			