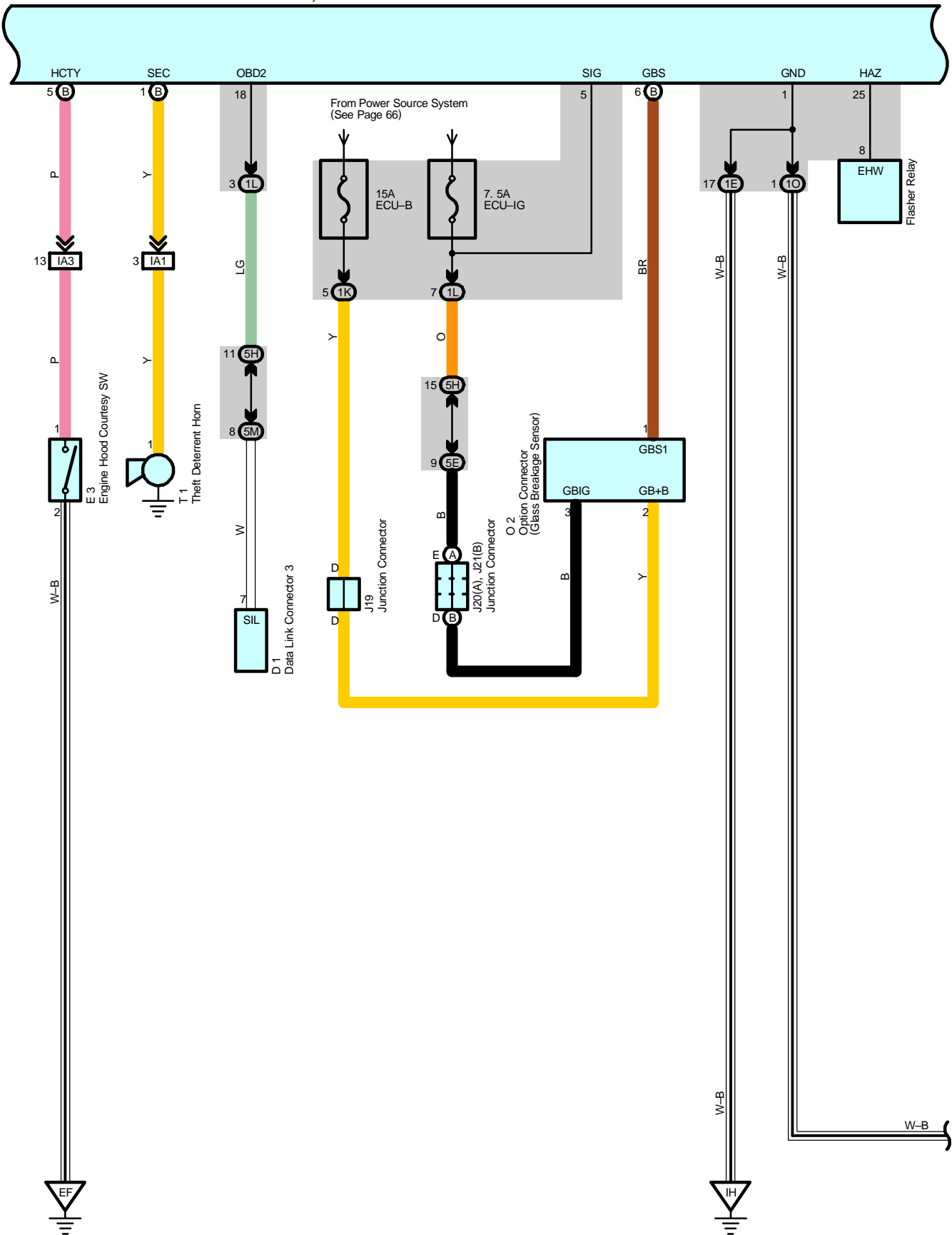
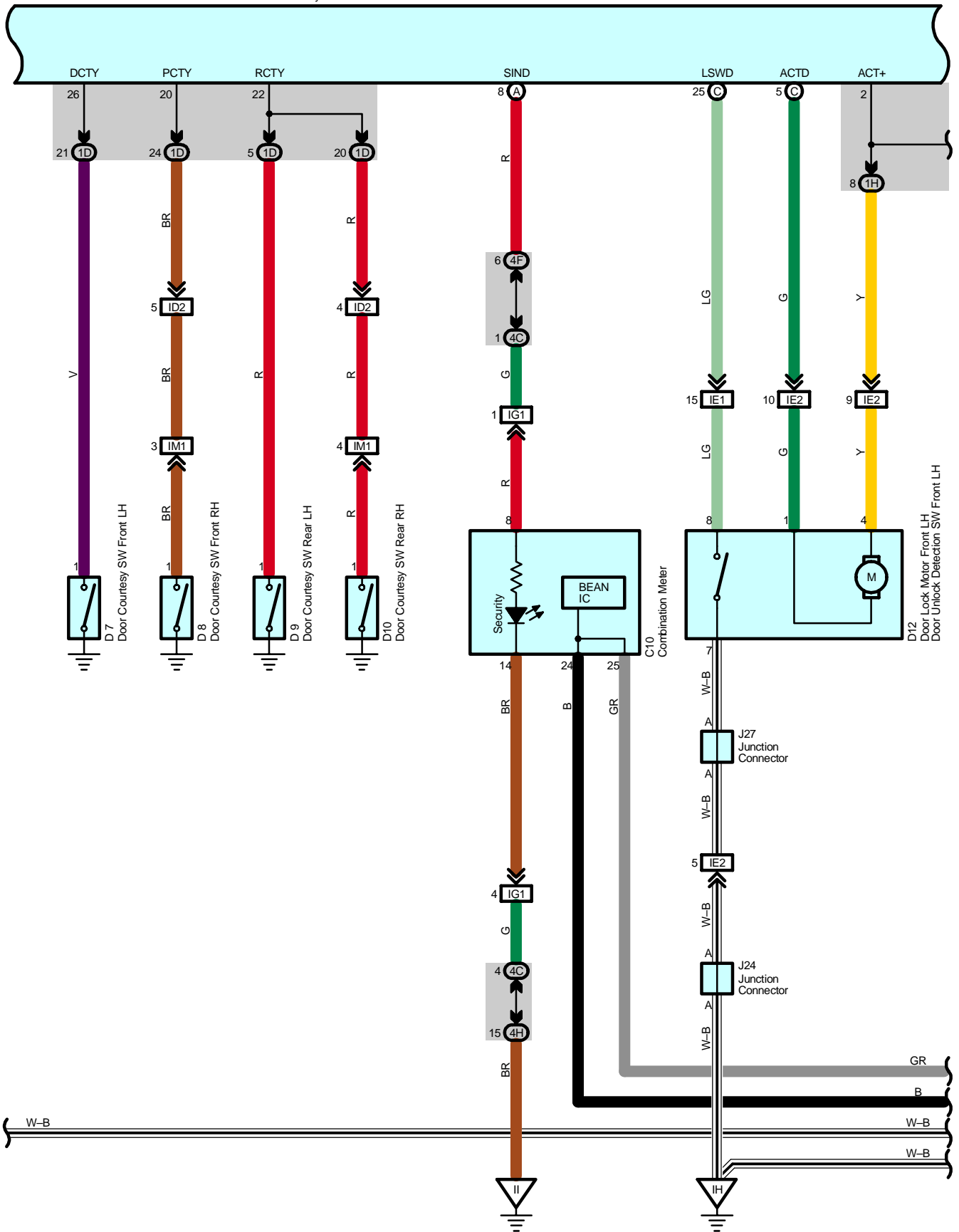


B 5(A), B 6(B), B 7(C)
Body ECU

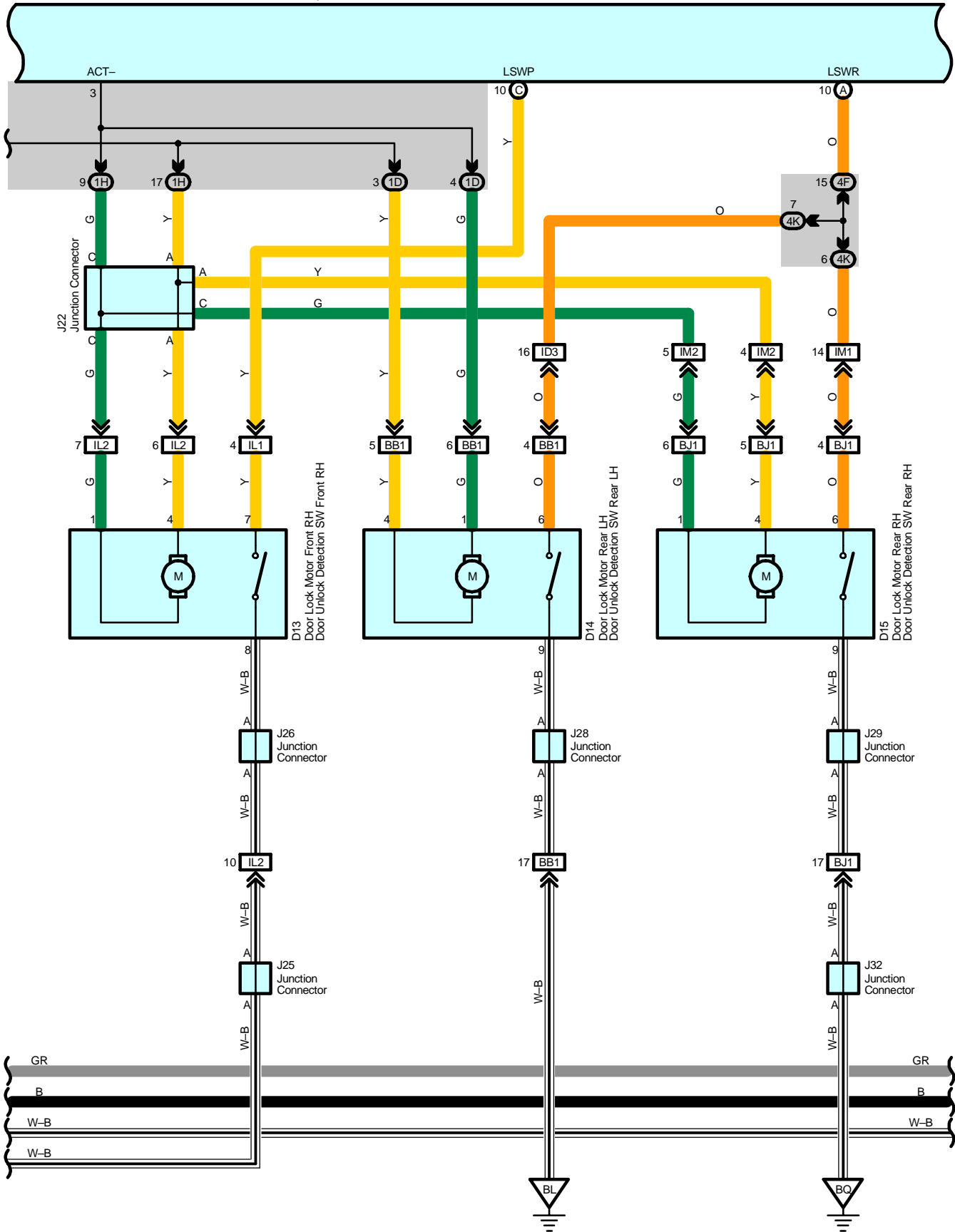


Theft Deterrent

B 5(A), B 6(B), B 7(C)
Body ECU

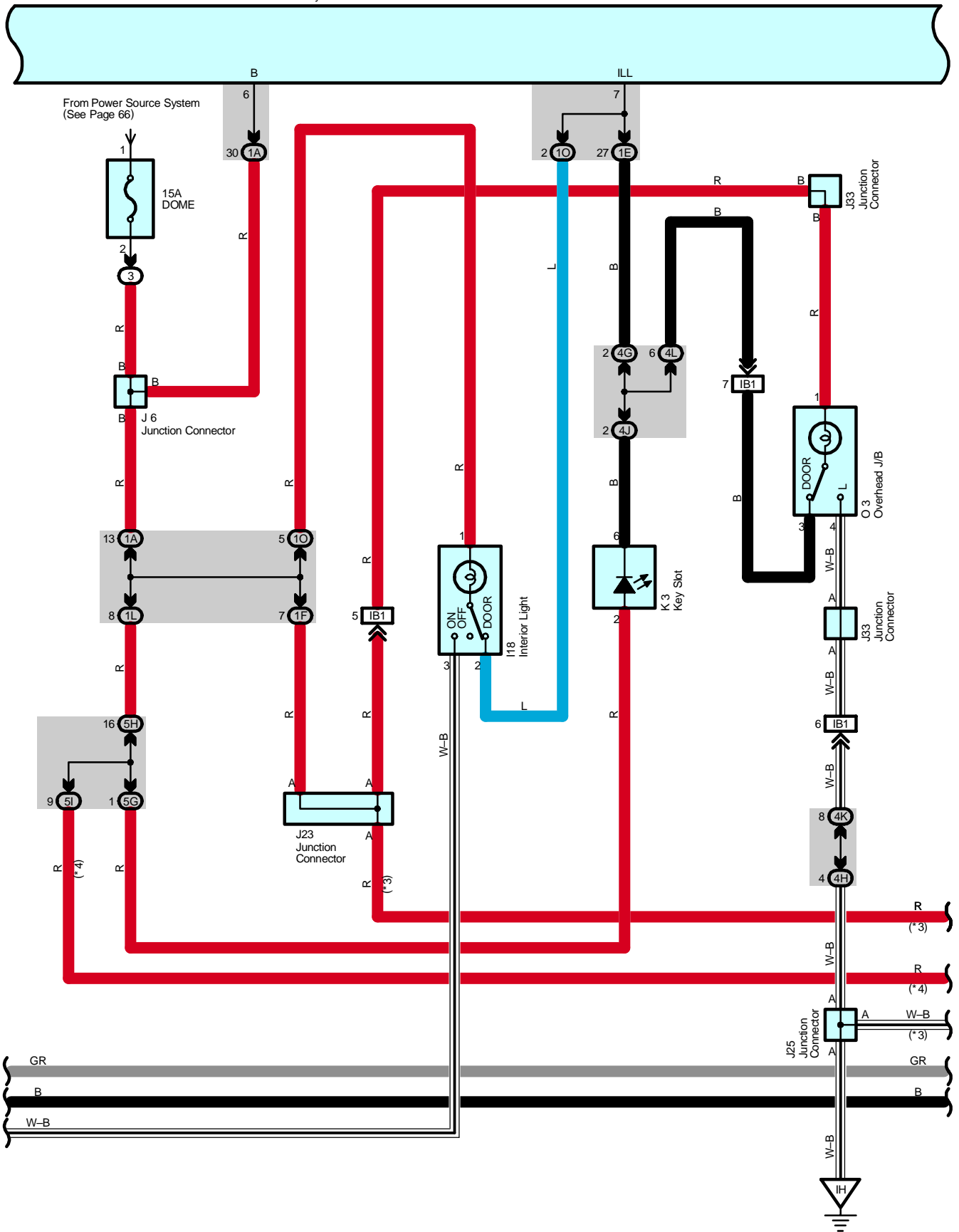


B 5(A), B 6(B), B 7(C)
Body ECU

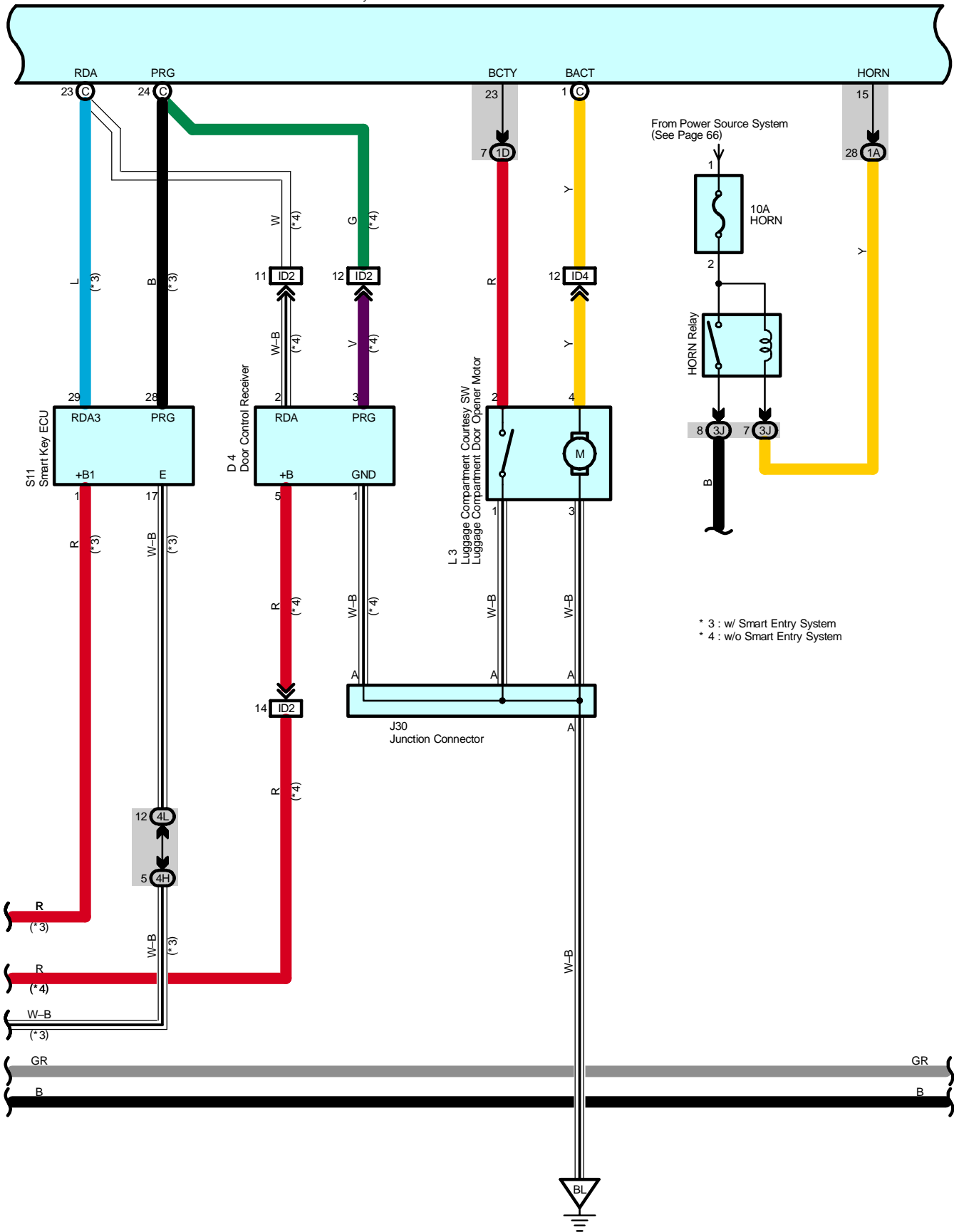


Theft Deterrent

B 5(A), B 6(B), B 7(C)
Body ECU

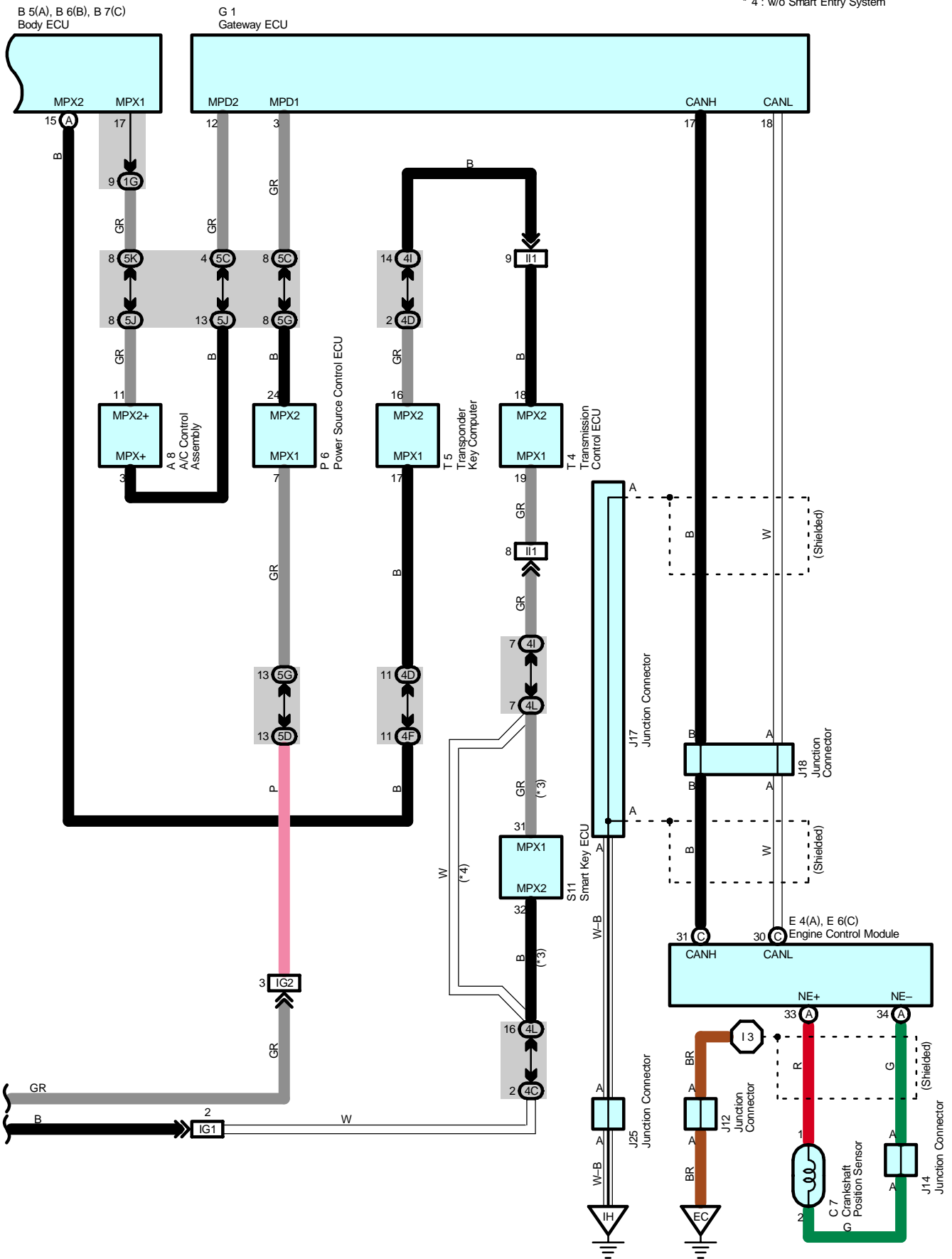


B 5(A), B 6(B), B 7(C)
Body ECU



Theft Deterrent

* 3 : w/ Smart Entry System
 * 4 : w/o Smart Entry System



Service Hints

Body ECU

- 1-Ground : Always continuity
- 4, 6-Ground : Always approx. 12 volts
- 21-Ground : Approx. 12 volts with the power SW at ACC ON or IG ON position
- 5-Ground : Approx. 12 volts with the power SW at IG ON position

○ : Parts Location

Code	See Page	Code	See Page	Code	See Page
A8	46	E4 A	47	J25	48
B5 A	46	E6 C	47	J26	51
B6 B	46	G1	47	J27	51
B7 C	46	I18	51	J28	51
C7	44	J6	48	J29	51
C10	47	J7 A	48	J30	51
D1	47	J8 B	48	J32	51
D4	50	J12	48	J33	51
D7	50	J14	48	K3	48
D8	50	J17	48	L3	51
D9	50	J18	48	O2	49
D10	50	J19	48	O3	52
D12	50	J20 A	48	P6	49
D13	50	J21 B	48	S11	49
D14	50	J22	48	T1	45
D15	50	J23	48	T4	49
E3	44	J24	48	T5	49

○ : Relay Blocks

Code	See Page	Relay Blocks (Relay Block Location)
3	22	Engine Room R/B (Engine Compartment Left)

Theft Deterrent

: Junction Block and Wire Harness Connector

Code	See Page	Junction Block and Wire Harness (Connector Location)
1A	28	Engine Room Main Wire and Driver Side J/B (Lower Finish Panel)
1B		
1D	28	Floor Wire and Driver Side J/B (Lower Finish Panel)
1E	28	Instrument Panel Wire and Driver Side J/B (Lower Finish Panel)
1F		
1G		
1H		
1K		
1L		
1O	28	Roof Wire and Driver Side J/B (Lower Finish Panel)
3B	22	Engine Room Main Wire and Engine Room J/B (Engine Compartment Left)
3D		
3J		
4C	36	Instrument Panel Wire and Center Connector No.1 (Behind the Combination Meter)
4D		
4F		
4G		
4H		
4I		
4J		
4K		
4L		
5C	40	Instrument Panel Wire and Center Connector No.2 (Instrument Panel Brace RH)
5D		
5E		
5G		
5H		
5I		
5J		
5K		
5M		

: Connector Joining Wire Harness and Wire Harness

Code	See Page	Joining Wire Harness and Wire Harness (Connector Location)
IA1	56	Engine Room Main Wire and Instrument Panel Wire (Upper Parts of Front Body Pillar LH)
IA3		
IB1	56	Roof Wire and Instrument Panel Wire (Upper Parts of Front Body Pillar LH)
ID2	56	Instrument Panel Wire and Floor Wire (Left Kick Panel)
ID3		
ID4		
IE1	56	Front Door LH Wire and Instrument Panel Wire (Left Kick Panel)
IE2		
IG1	58	Instrument Panel Wire and Instrument Panel No.2 Wire (Behind the Combination Meter)
IG2		
II1	58	Engine Wire and Instrument Panel Wire (Behind the Glove Box)
IJ3	58	Engine Room Main Wire and Instrument Panel Wire (Behind the Glove Box)
IL1	58	Front Door RH Wire and Instrument Panel Wire (Right Kick Panel)
IL2		
IM1	58	Instrument Panel Wire and Floor No.2 Wire (Right Kick Panel)
IM2		
BB1	60	Rear Door No.2 Wire and Floor Wire (Left Center Pillar)
BJ1	62	Rear Door No.1 Wire and Floor No.2 Wire (Right Center Pillar)



: Ground Points

Code	See Page	Ground Points Location
EC	54	Engine Block
EF	54	Left Side of the Suspension Tower
IH	56	Cowl Side Panel LH
II	56	Instrument Panel Brace LH
BL	60	Rear Side of Left Quarter Panel
BQ	60	Rear Side of Right Quarter Panel



: Splice Points

Code	See Page	Wire Harness with Splice Points	Code	See Page	Wire Harness with Splice Points
I3	58	Engine Wire			