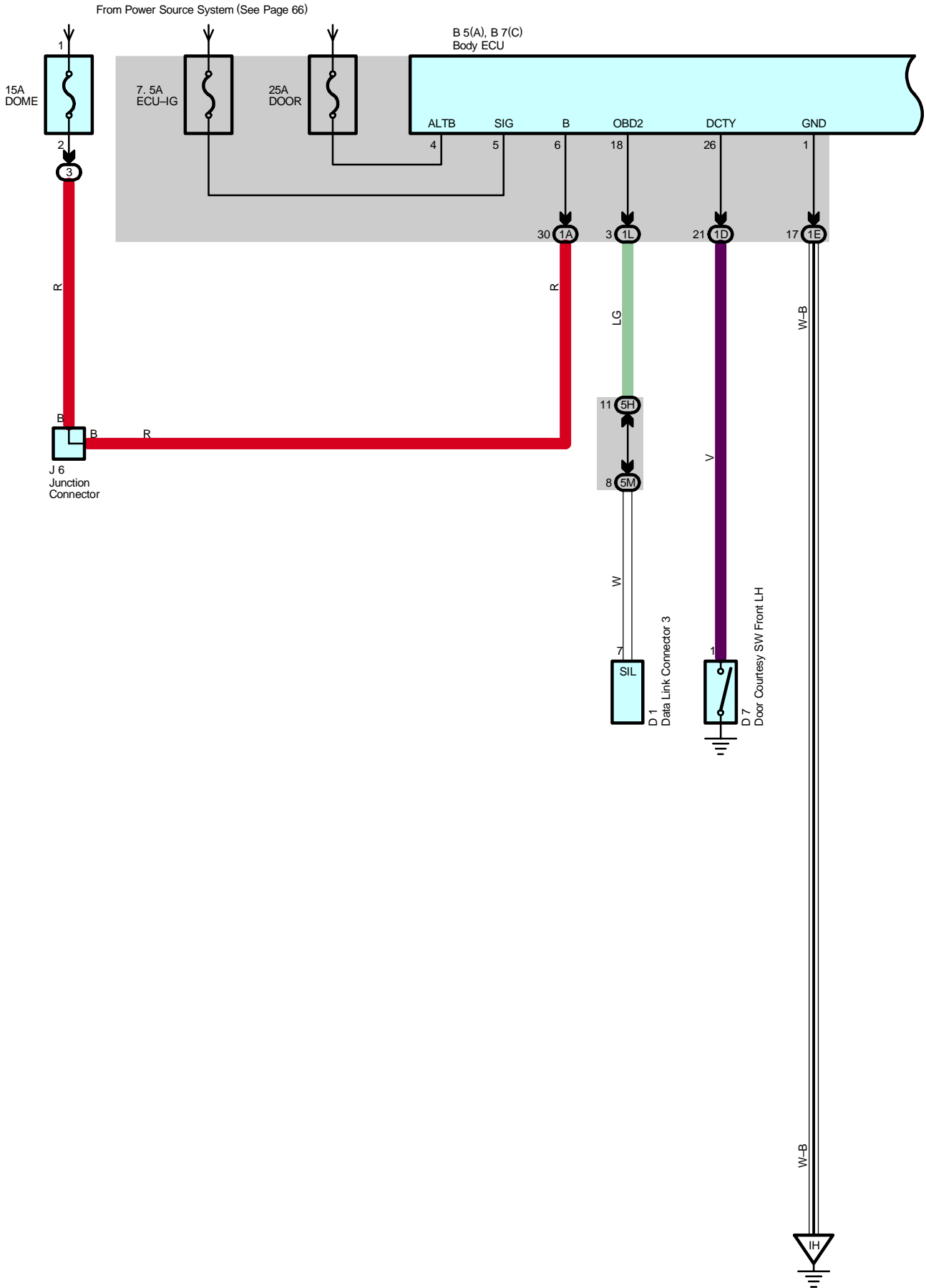
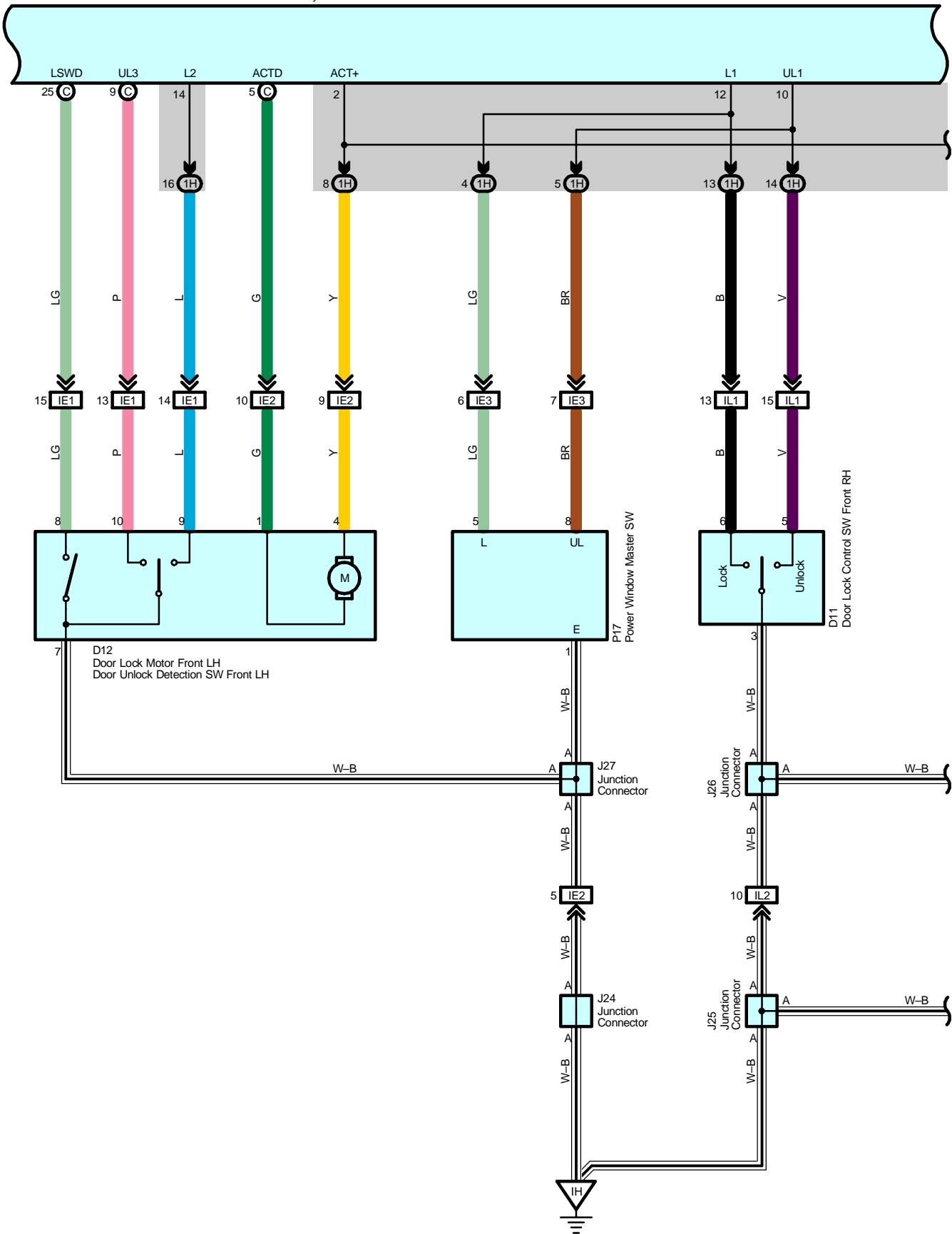


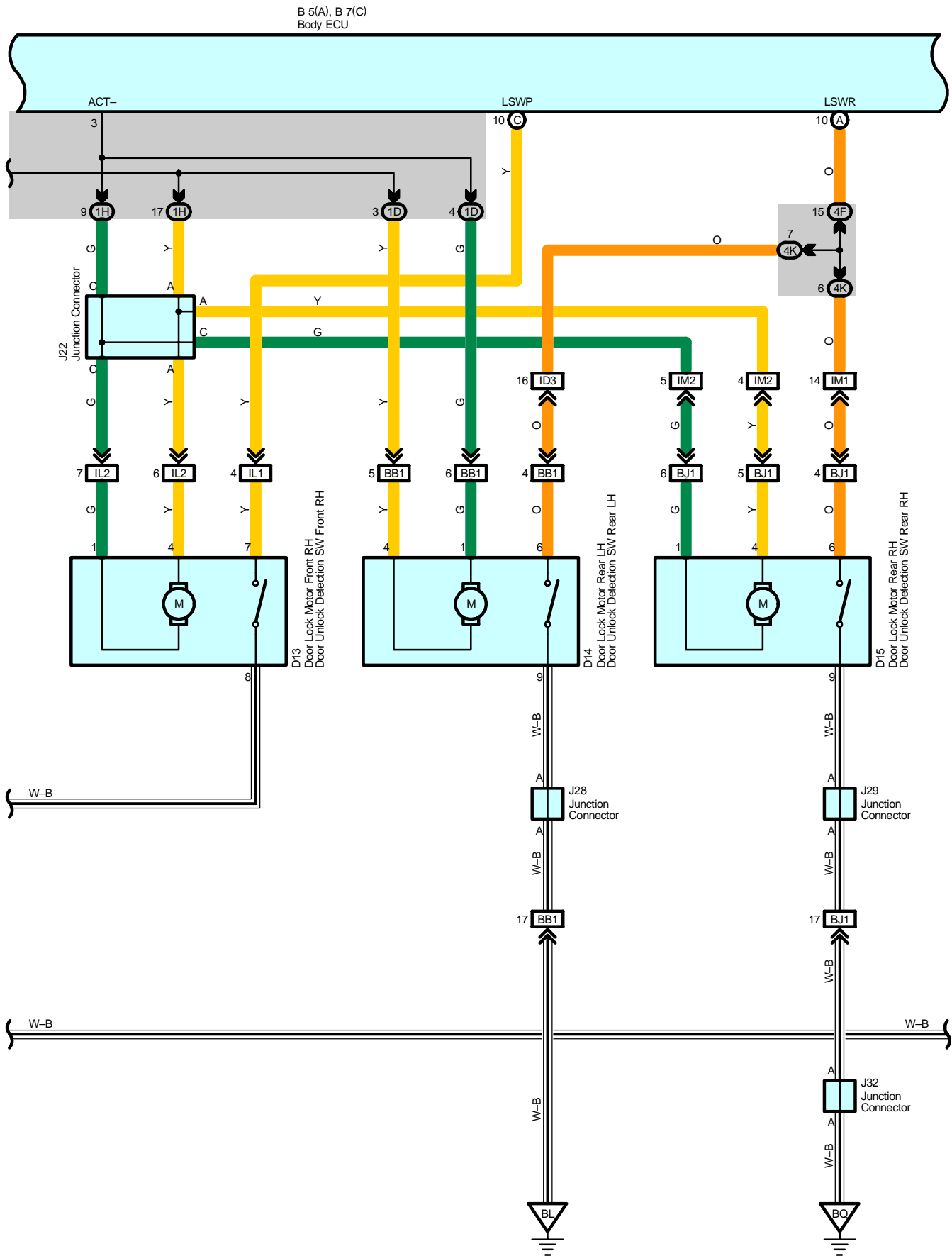
Door Lock Control

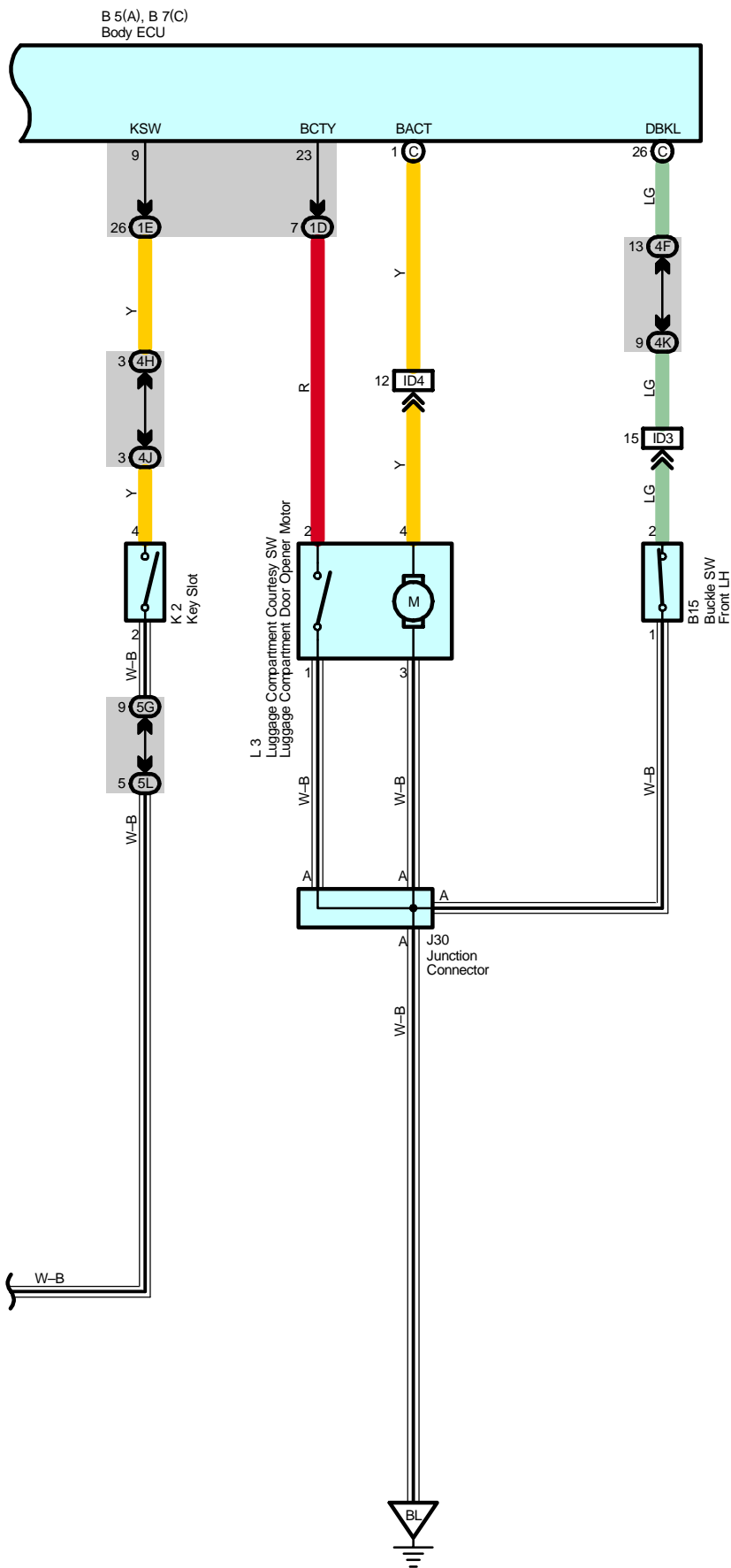


B 5(A), B 7(C)
Body ECU



Door Lock Control





Door Lock Control

System Outline

The door lock control is a system controlled by various signals input into the body ECU through communication control of the body ECU etc.

1. Manual Unlock Operation

When the door lock control SW of the driver's or passenger's side door is pushed to UNLOCK, the door unlocks.

2. Manual Lock Operation

When the door lock control SW of the driver's or passenger's side door is pushed to LOCK, the door locks.

3. Door Key Unlock Operation

* Unlock operation from driver's side door

When the driver's side door is unlocked once using the mechanical key, only the driver's side door unlocks. If this operation is repeated within 3 seconds, all the other doors also unlock.

4. Ignition Key Reminder Operation

Under condition that the electrical key remains inserted in the key slot and driver's side door is open, locking operation with door knob of driver's door is not effective but automatically unlocks the door. When the door is locked with the manual door lock SW of driver's door or door key SW of driver's door, the door locks once but right after that, the door unlocks automatically.

Service Hints

Body ECU

4, 6-Ground : Always approx. 12 volts

5-Ground : Approx. 12 volts with the power SW at IG ON position

1-Ground : Always continuity

○ : Parts Location

Code	See Page	Code	See Page	Code	See Page	
B5	A	46	D14	50	J28	51
B7	C	46	D15	50	J29	51
B15		50	J6	48	J30	51
D1		47	J22	48	J32	51
D7		50	J24	48	K2	48
D11		50	J25	48	L3	51
D12		50	J26	51	P17	52
D13		50	J27	51		

○ : Relay Blocks

Code	See Page	Relay Blocks (Relay Block Location)
3	22	Engine Room R/B (Engine Compartment Left)

○ : Junction Block and Wire Harness Connector

Code	See Page	Junction Block and Wire Harness (Connector Location)
1A	28	Engine Room Main Wire and Driver Side J/B (Lower Finish Panel)
1D	28	Floor Wire and Driver Side J/B (Lower Finish Panel)
1E	28	Instrument Panel Wire and Driver Side J/B (Lower Finish Panel)
1H		
1L		
4F	36	Instrument Panel Wire and Center Connector No.1 (Behind the Combination Meter)
4H		
4J		
4K		
5G	40	Instrument Panel Wire and Center Connector No.2 (Instrument Panel Brace RH)
5H		
5L		
5M		

 : **Connector Joining Wire Harness and Wire Harness**

Code	See Page	Joining Wire Harness and Wire Harness (Connector Location)
ID3	56	Instrument Panel Wire and Floor Wire (Left Kick Panel)
ID4		
IE1	56	Front Door LH Wire and Instrument Panel Wire (Left Kick Panel)
IE2		
IE3		
IL1	58	Front Door RH Wire and Instrument Panel Wire (Right Kick Panel)
IL2		
IM1	58	Instrument Panel Wire and Floor No.2 Wire (Right Kick Panel)
IM2		
BB1	60	Rear Door No.2 Wire and Floor Wire (Left Center Pillar)
BJ1	62	Rear Door No.1 Wire and Floor No.2 Wire (Right Center Pillar)

 : **Ground Points**

Code	See Page	Ground Points Location
IH	56	Cowl Side Panel LH
BL	60	Rear Side of Left Quarter Panel
BQ	60	Rear Side of Right Quarter Panel