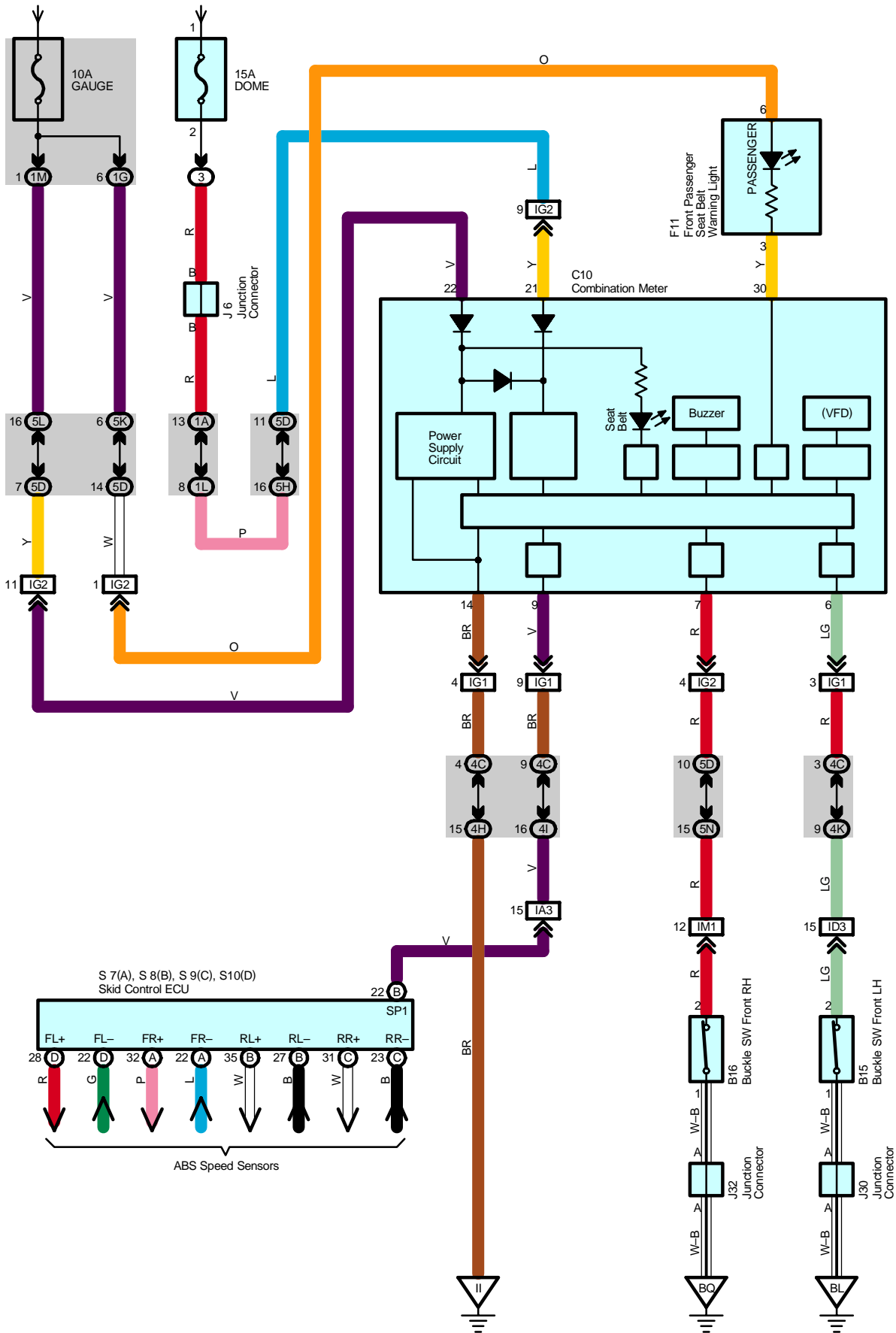


# Seat Belt Warning

From Power Source System (See Page 66)



## System Outline

If the driver does not have seat belt fastened when power SW is turned to IG ON position, the indicator in combination meter lights up. Buzzer sound for 6 seconds reminds the driver of seat belt fastening. After that, if seat belt has not been fastened yet, another buzzer sound goes on for 30 seconds when vehicle speed is 15 km/h or more. The buzzer sound also goes on when the driver unfastens seat belt from fastening condition with vehicle speed over 15 km/h.

Sensor installed in front passenger seat detects whether passenger(s) is(are) seated on front passenger seat(s). If a passenger does not have seat belt fastened in front seat, passenger seat belt warning light blinks.

## Service Hints

### C10 Combination Meter

22-Ground : Approx. 12 volts with the power SW at IG ON position

21-Ground : Always approx. 12 volts

14-Ground : Always continuity

6-Ground : Continuity with the driver's seat belt not in use

7-Ground : Continuity with front passenger sitting on front passenger seat and front passenger's seat belt not in use

## : Parts Location

Code	See Page	Code	See Page	Code	See Page
B15	<a href="#">50</a>	J6	<a href="#">48</a>	S8	B <a href="#">49</a>
B16	<a href="#">50</a>	J30	<a href="#">51</a>	S9	C <a href="#">49</a>
C10	<a href="#">47</a>	J32	<a href="#">51</a>	S10	D <a href="#">49</a>
F11	<a href="#">47</a>	S7	A <a href="#">49</a>		

## : Relay Blocks

Code	See Page	Relay Blocks (Relay Block Location)
3	<a href="#">22</a>	Engine Room R/B (Engine Compartment Left)

## : Junction Block and Wire Harness Connector

Code	See Page	Junction Block and Wire Harness (Connector Location)
1A	<a href="#">28</a>	Engine Room Main Wire and Driver Side J/B (Lower Finish Panel)
1G	<a href="#">28</a>	Instrument Panel Wire and Driver Side J/B (Lower Finish Panel)
1L		
1M		
4C		
4H	<a href="#">36</a>	Instrument Panel Wire and Center Connector No.1 (Behind the Combination Meter)
4I		
4K		
5D	<a href="#">40</a>	Instrument Panel Wire and Center Connector No.2 (Instrument Panel Brace RH)
5H		
5K		
5L		
5N		

## : Connector Joining Wire Harness and Wire Harness

Code	See Page	Joining Wire Harness and Wire Harness (Connector Location)
IA3	<a href="#">56</a>	Engine Room Main Wire and Instrument Panel Wire (Upper Parts of Front Body Pillar LH)
ID3	<a href="#">56</a>	Instrument Panel Wire and Floor Wire (Left Kick Panel)
IG1	<a href="#">58</a>	Instrument Panel Wire and Instrument Panel No.2 Wire (Behind the Combination Meter)
IG2		
IM1	<a href="#">58</a>	Instrument Panel Wire and Floor No.2 Wire (Right Kick Panel)

# Seat Belt Warning

---



: **Ground Points**

Code	See Page	Ground Points Location
II	<a href="#">56</a>	Instrument Panel Brace LH
BL	<a href="#">60</a>	Rear Side of Left Quarter Panel
BQ	<a href="#">60</a>	Rear Side of Right Quarter Panel

