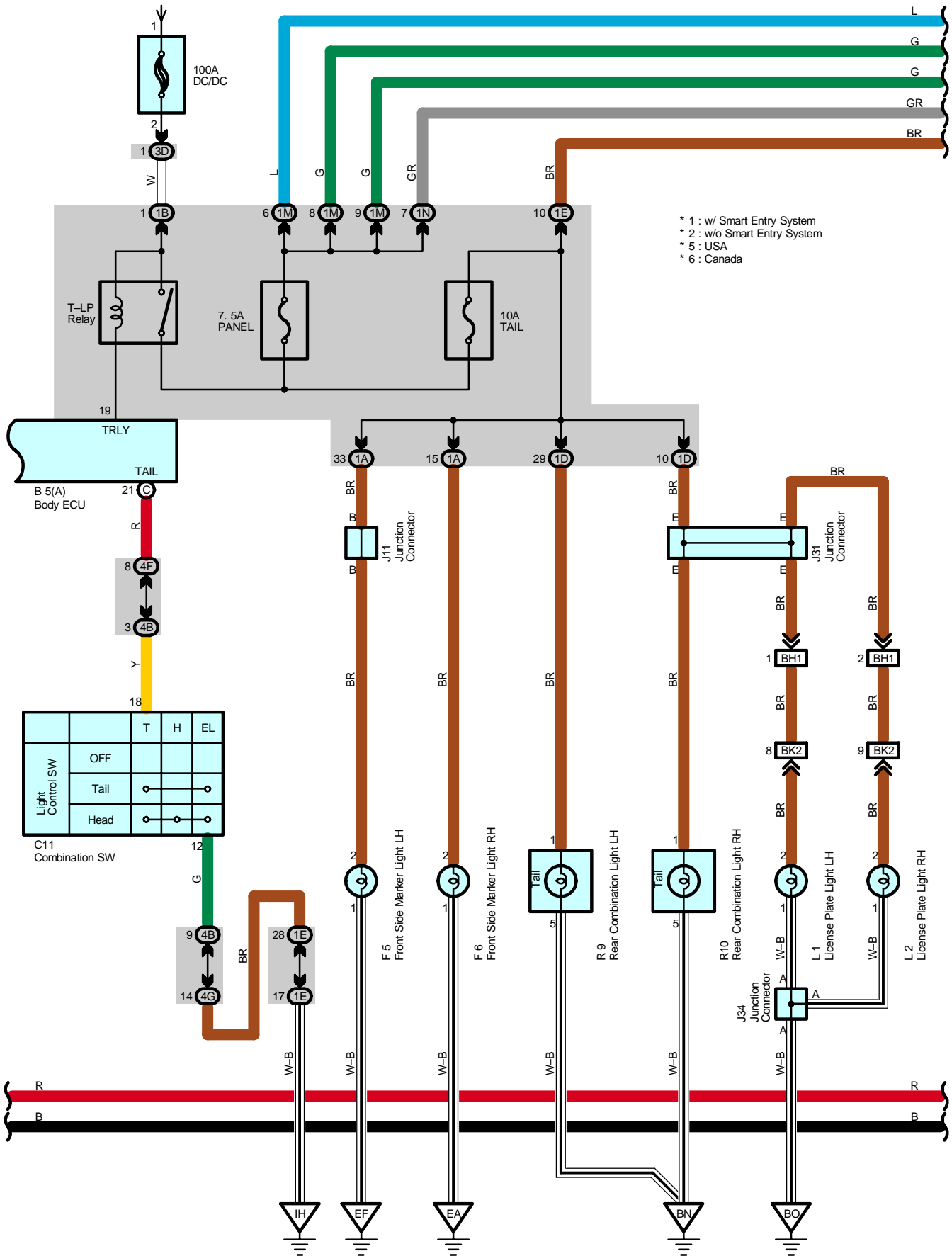
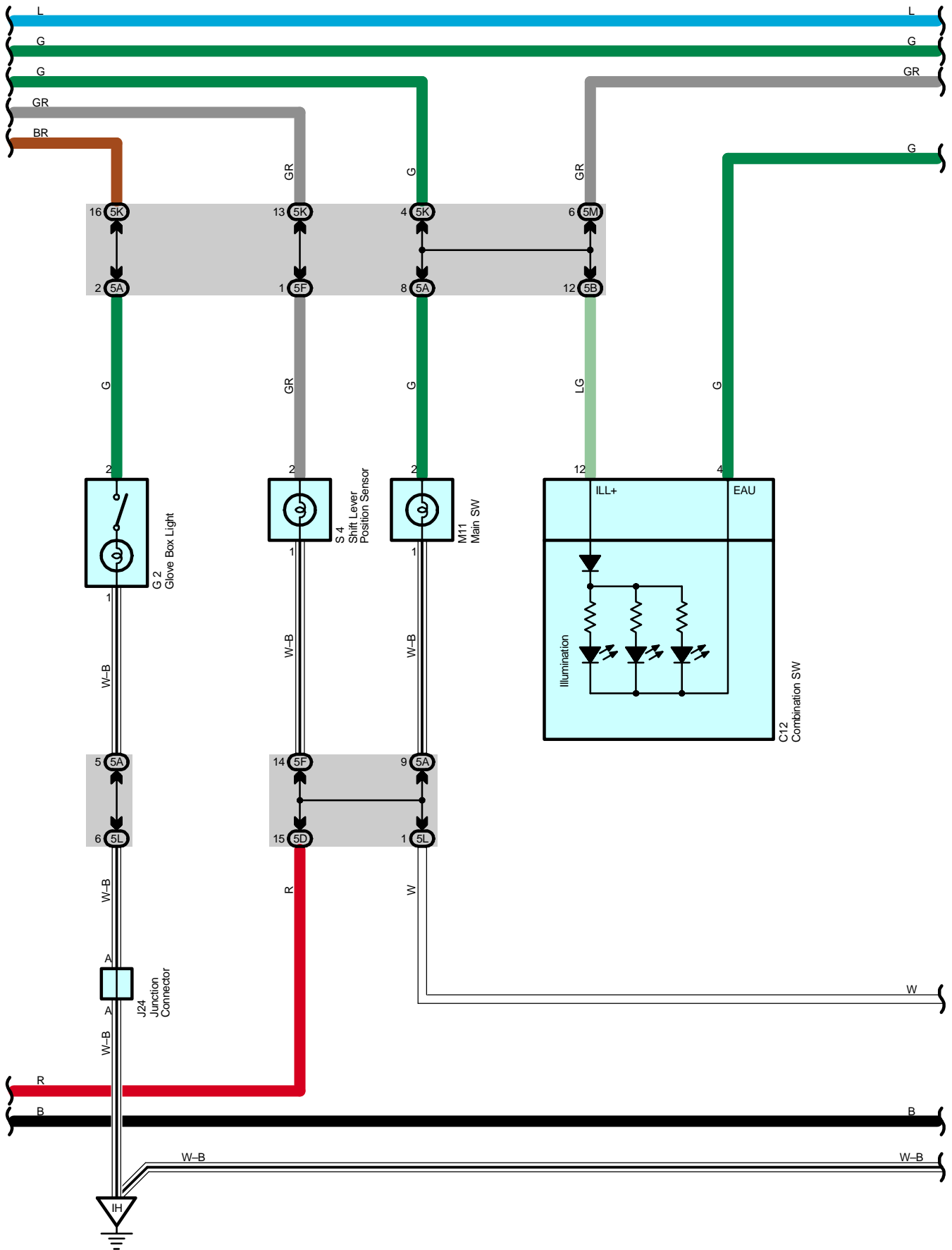


From Power Source System (See Page 66)



Taillight and Illumination



Taillight and Illumination

Service Hints

C11 Combination SW

18-12 : Continuity with the light control SW at TAIL or HEAD position

○ : Parts Location

Code	See Page	Code	See Page	Code	See Page
A8	46	J19	48	R4	B 49
B5	A 46	J20	48	R5	C 49
C10	47	J24	48	R6	A 49
C11	47	J25	48	R7	49
C12	47	J31	51	R9	52
F5	44	J34	51	R10	52
F6	44	L1	51	S4	49
G1	47	L2	51	S11	49
G2	47	M11	48	T4	49
H11	47	M13	48	T5	49
J6	48	P6	49		
J11	48	R3	A 49		

○ : Relay Blocks

Code	See Page	Relay Blocks (Relay Block Location)
3	22	Engine Room R/B (Engine Compartment Left)

 : **Junction Block and Wire Harness Connector**

Code	See Page	Junction Block and Wire Harness (Connector Location)
1A	28	Engine Room Main Wire and Driver Side J/B (Lower Finish Panel)
1B		
1D		
1E	28	Instrument Panel Wire and Driver Side J/B (Lower Finish Panel)
1G		
1L		
1M		
1N		
3D	22	Engine Room Main Wire and Engine Room J/B (Engine Compartment Left)
4A	36	Instrument Panel Wire and Center Connector No.1 (Behind the Combination Meter)
4B		
4C		
4D		
4F		
4G		
4H		
4I		
4L		
5A	40	Instrument Panel Wire and Center Connector No.2 (Instrument Panel Brace RH)
5B		
5C		
5D		
5E		
5F		
5G		
5H		
5J		
5K		
5L		
5M		

 : **Connector Joining Wire Harness and Wire Harness**

Code	See Page	Joining Wire Harness and Wire Harness (Connector Location)
IG1	58	Instrument Panel Wire and Instrument Panel No.2 Wire (Behind the Combination Meter)
IG2		
II1	58	Engine Wire and Instrument Panel Wire (Behind the Glove Box)
BH1	62	Back Door No.1 Wire and Floor Wire (Rear Side of Roof Panel)
BK2	62	Back Door No.1 Wire and Back Door No.2 Wire (Rear Side of Roof Panel)

 : **Ground Points**

Code	See Page	Ground Points Location
EA	54	Right Side of the Fender Apron
EF	54	Left Side of the Suspension Tower
IH	56	Cowl Side Panel LH
II	56	Instrument Panel Brace LH
BN	60	Lower Back Panel Center
BO	60	Center of the Back Door Panel