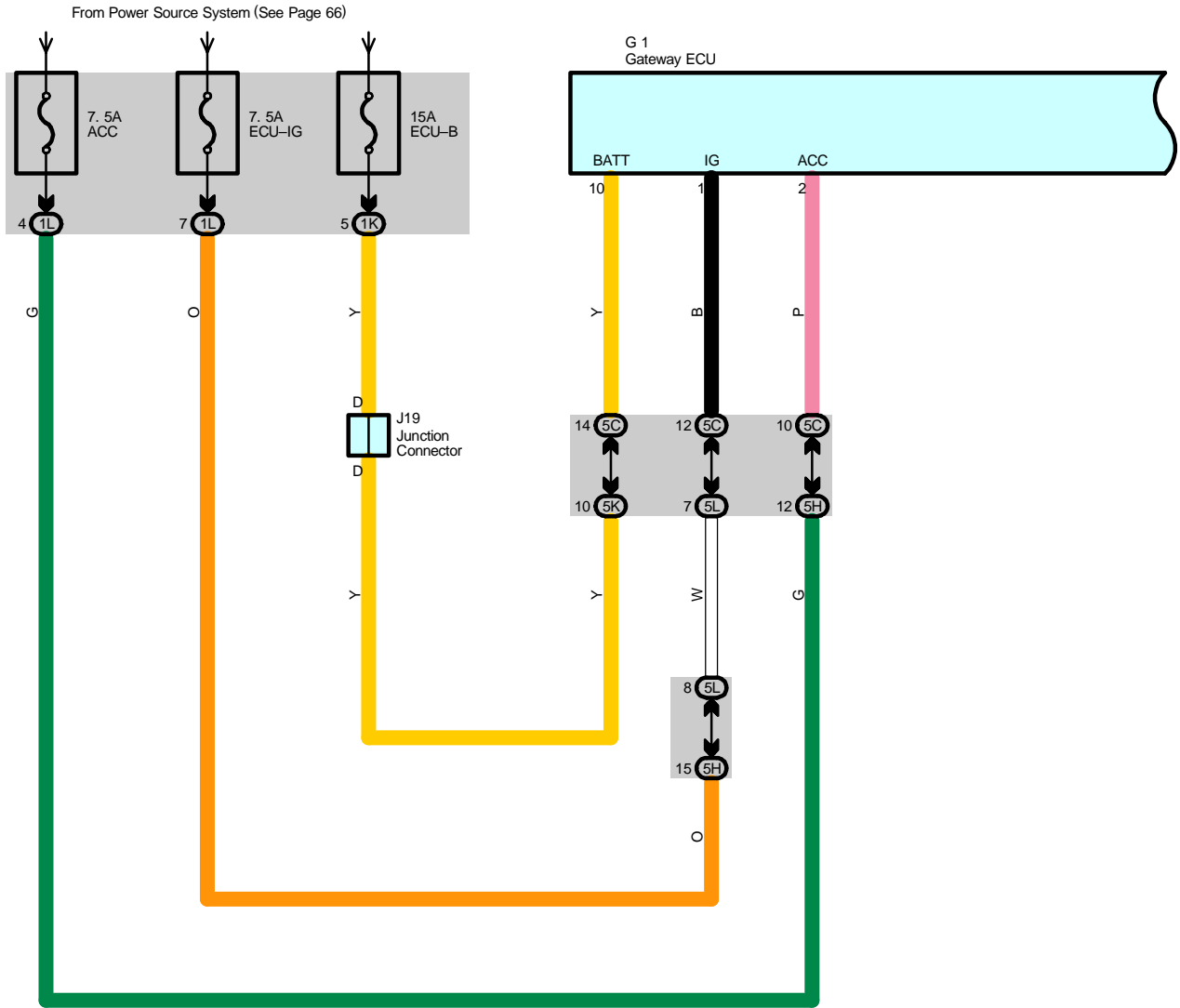
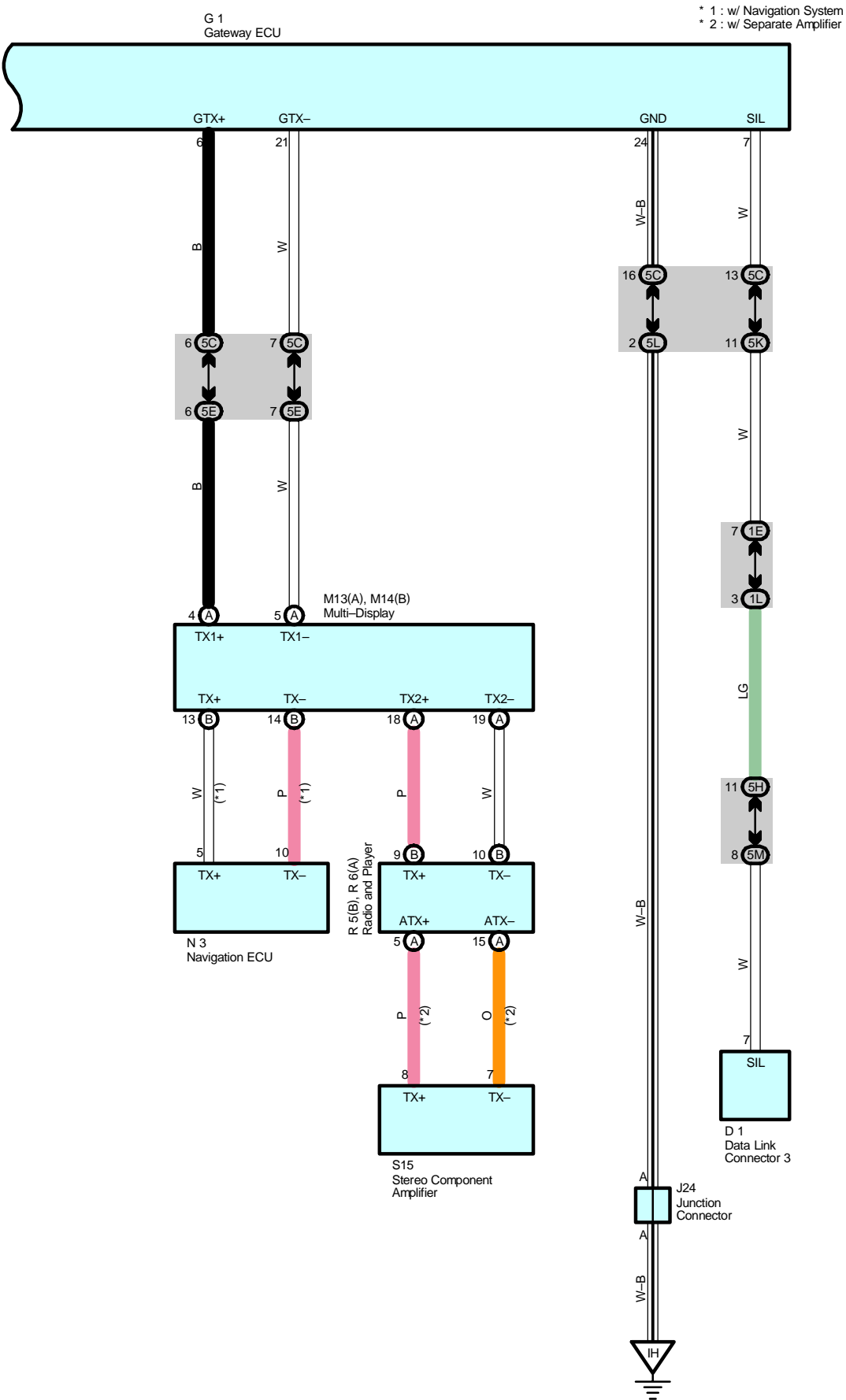


Multiplex Communication System – AVC-LAN Bus





Multiplex Communication System – AVC–LAN Bus

System Outline

AVC–LAN consists of audio visual systems such as multi–display, navigation ECU*, radio and player, stereo component amplifier* and gateway ECU. Gateway ECU has communication circuit to correspond with different types of communication data. Different types of communication data can be shared among communication parts after it goes through gateway ECU.

* Optional equipment

This system is working for the following systems:

- * Air Conditioning
- * Audio System
- * Brake Control System
- * Combination Meter
- * Engine Control
- * EPS
- * Hybrid Vehicle Immobilizer System
- * Mirror Heater
- * Multi–Display
- * Push Button Start System
- * Rear Wiper and Washer
- * Shift Control System
- * TOYOTA Hybrid System

Service Hints

G1 Gateway ECU

10–Ground : Always approx. 12 volts

1–Ground : Approx. 12 volts with the power SW at IG ON position

2–Ground : Approx. 12 volts with the power SW at ACC ON or IG ON position

24–Ground : Always continuity

○ : Parts Location

Code	See Page	Code	See Page	Code	See Page
D1	47	M13	A 48	R6	B 49
G1	47	M14	B 48	S15	49
J19	48	N3	48		
J24	48	R5	A 49		

○ : Junction Block and Wire Harness Connector

Code	See Page	Junction Block and Wire Harness (Connector Location)
1E	28	Instrument Panel Wire and Driver Side J/B (Lower Finish Panel)
1K		
1L		
5C	40	Instrument Panel Wire and Center Connector No.2 (Instrument Panel Brace RH)
5E		
5H		
5K		
5L		
5M		

▽ : Ground Points

Code	See Page	Ground Points Location
IH	56	Cowl Side Panel LH

