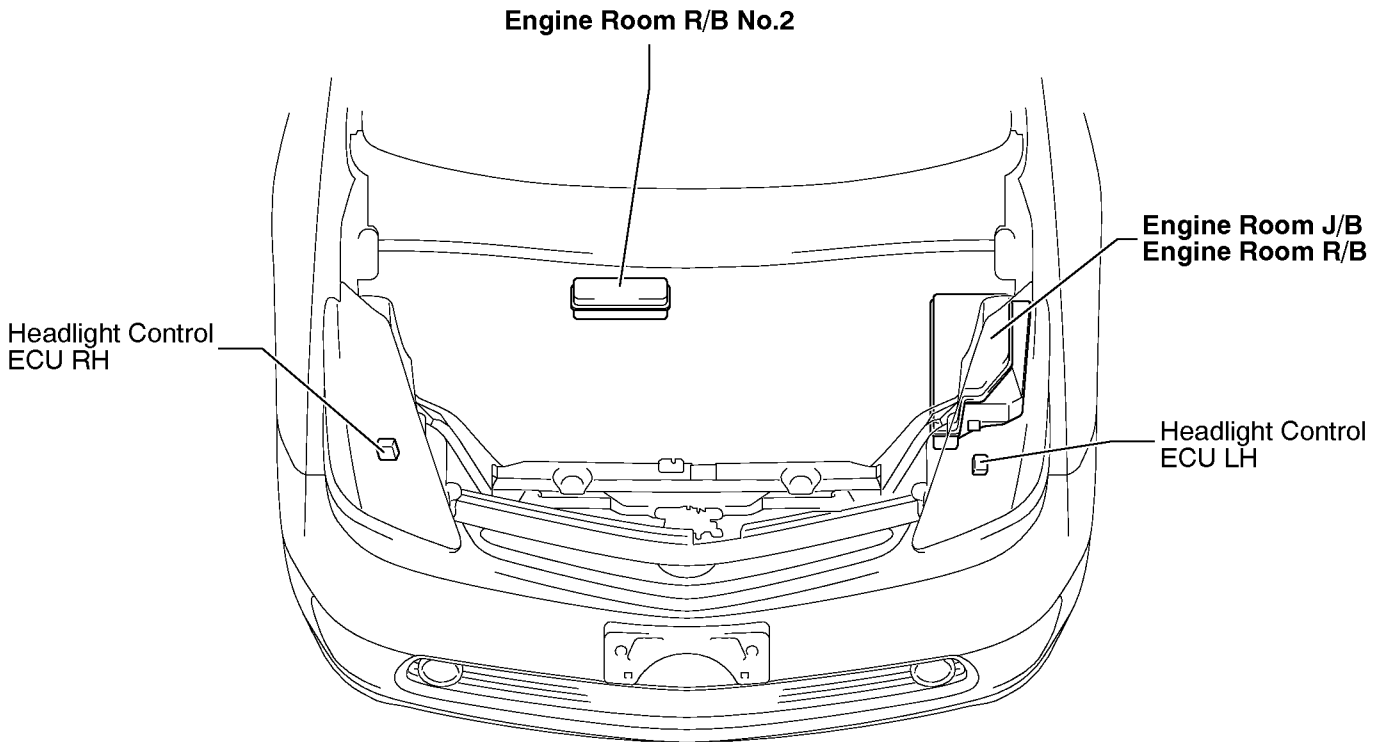
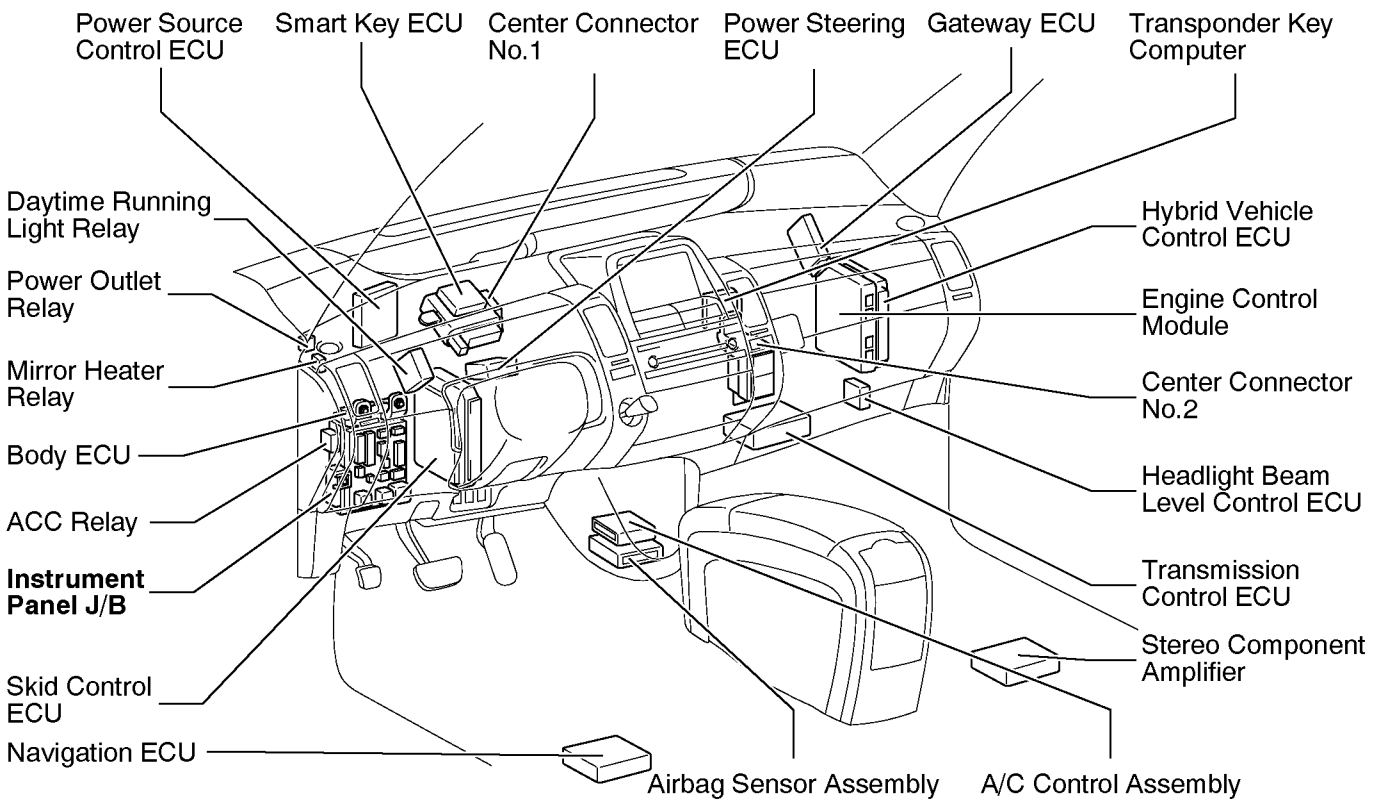


F RELAY LOCATIONS

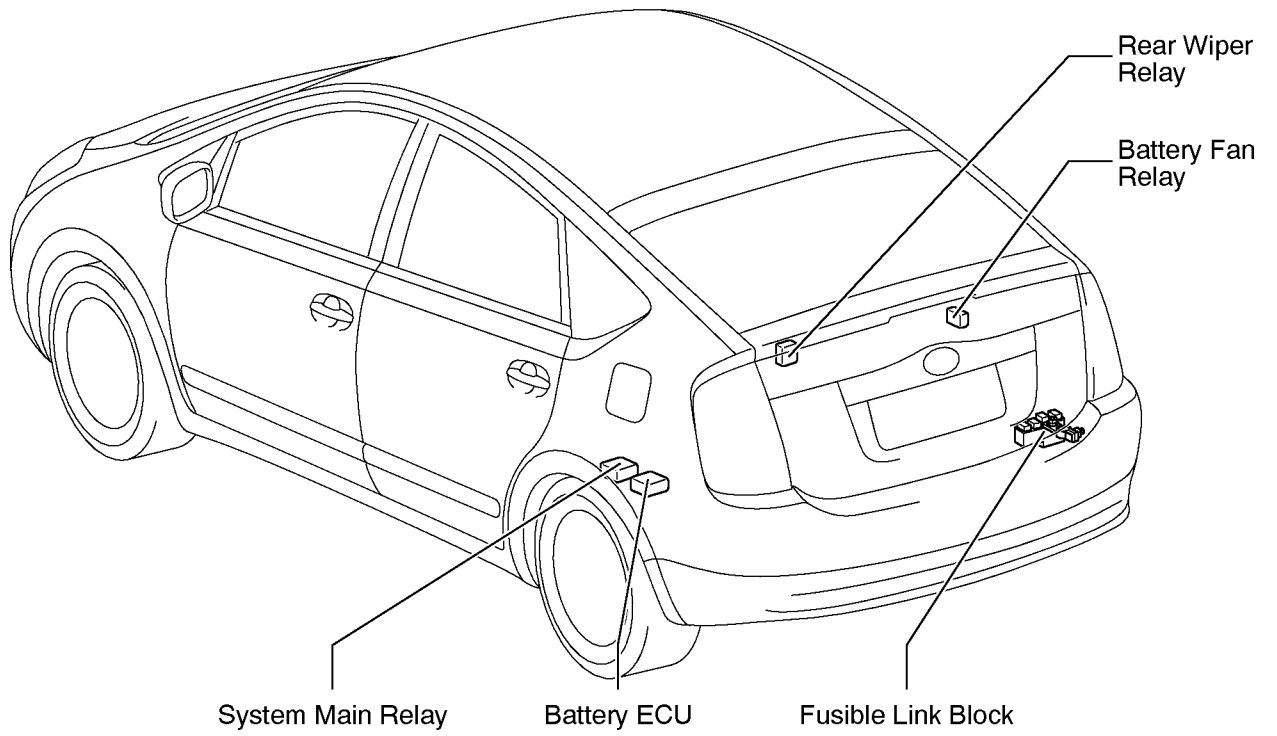
[Engine Compartment]



[Instrument Panel]



[Body]



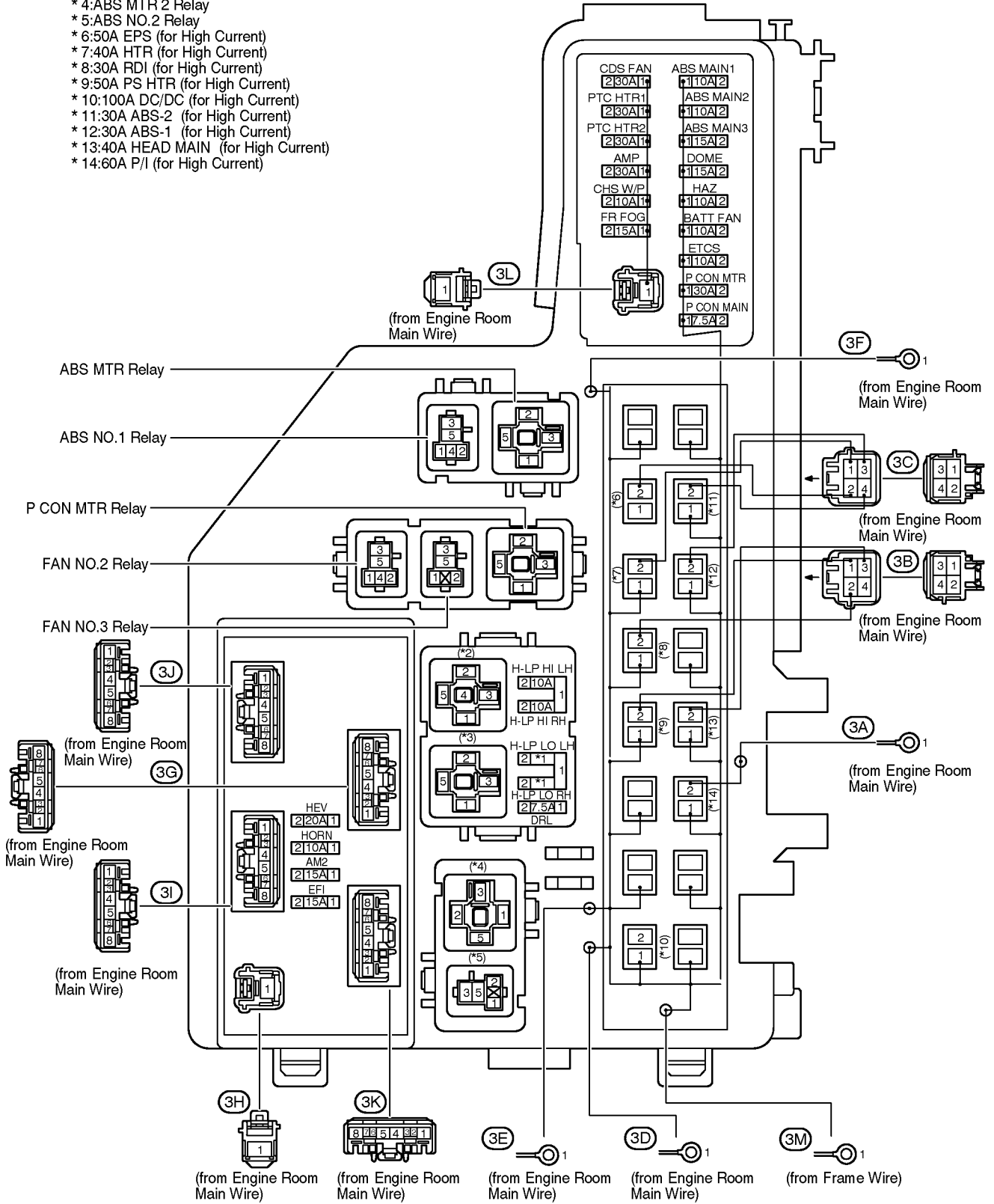
F RELAY LOCATIONS

③ : Engine Room R/B

○ : Engine Room J/B

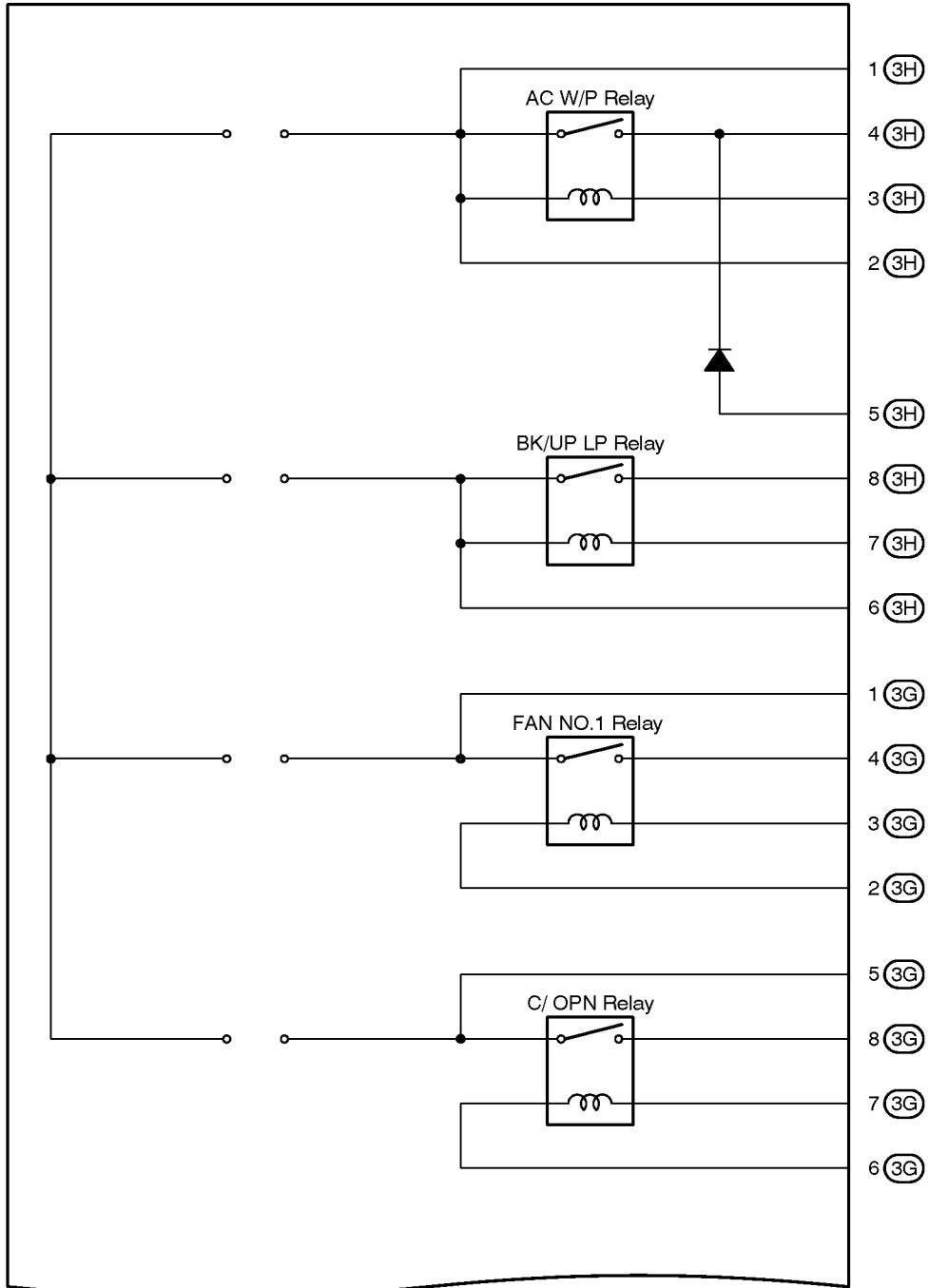
Engine Compartment Left (See Page 20)

- * 1:15A (HID Tpe)
10A (Except HID Type)
- * 2:DIM Relay
- * 3:H-LP Relay
- * 4:ABS MTR 2 Relay
- * 5:ABS NO.2 Relay
- * 6:50A EPS (for High Current)
- * 7:40A HTR (for High Current)
- * 8:30A RDI (for High Current)
- * 9:50A PS HTR (for High Current)
- * 10:100A DC/DC (for High Current)
- * 11:30A ABS-2 (for High Current)
- * 12:30A ABS-1 (for High Current)
- * 13:40A HEAD MAIN (for High Current)
- * 14:60A P/I (for High Current)



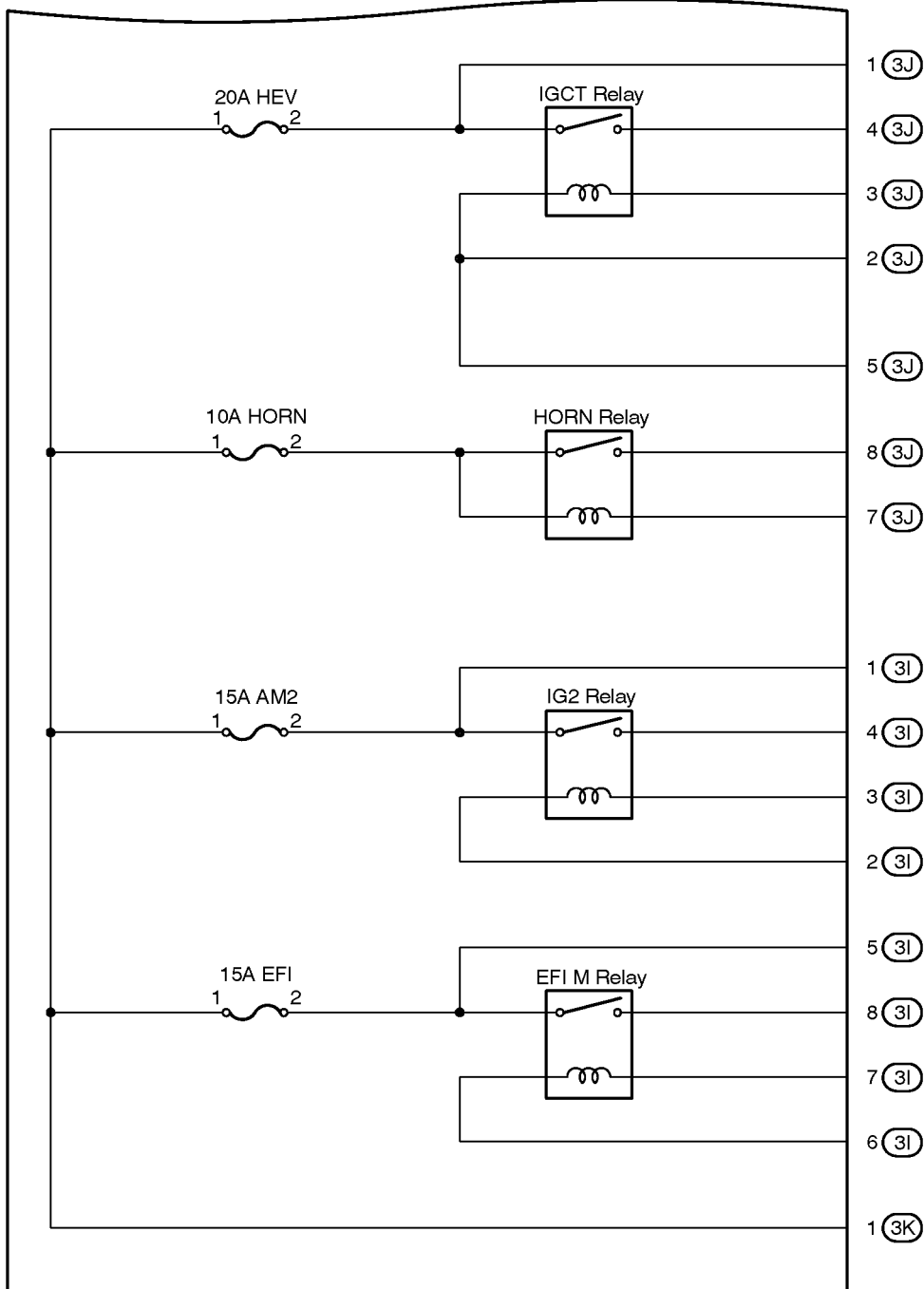
F RELAY LOCATIONS

[Engine Room J/B Inner Circuit]



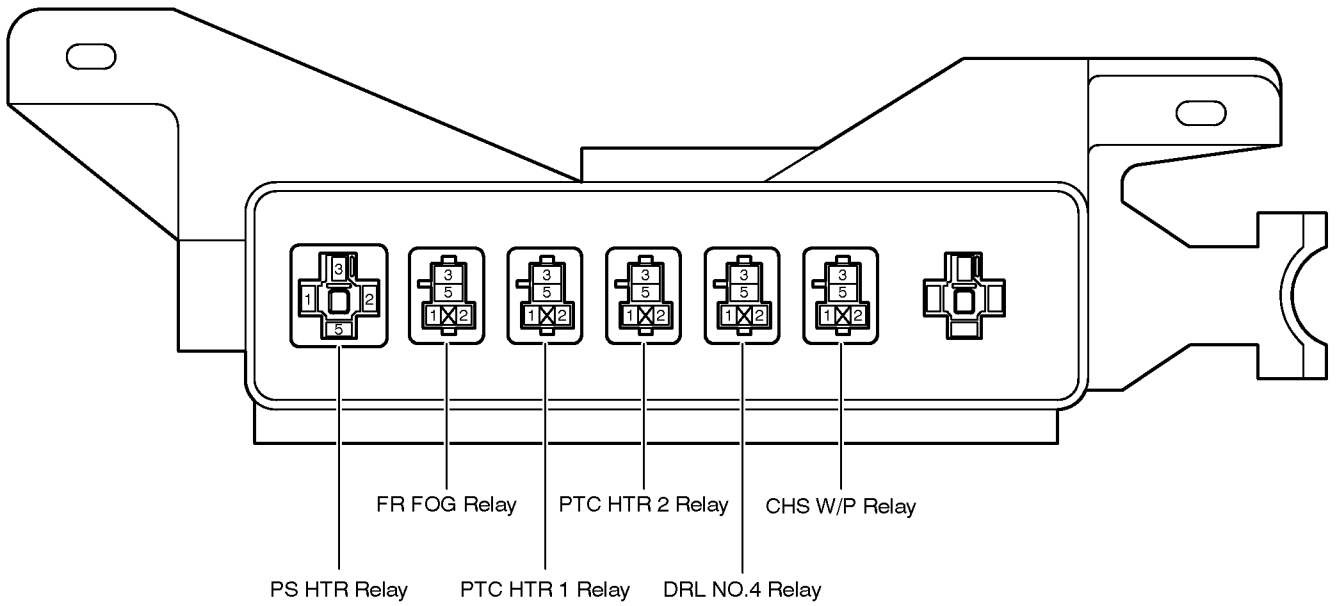
(Cont. Next Page)

(Cont'd)



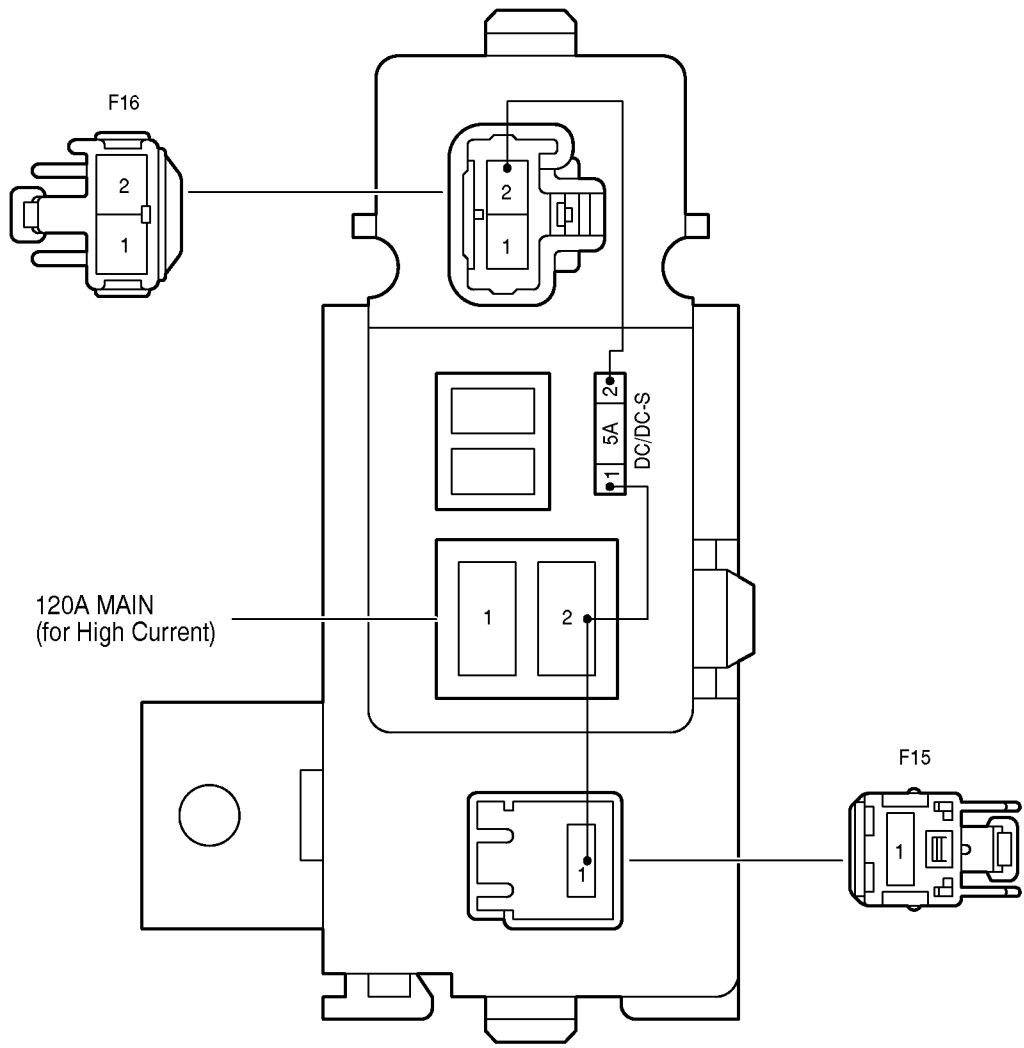
F RELAY LOCATIONS

② : Engine Room R/B No.2 [Right Side of Reserve Tank \(See Page 20\)](#)



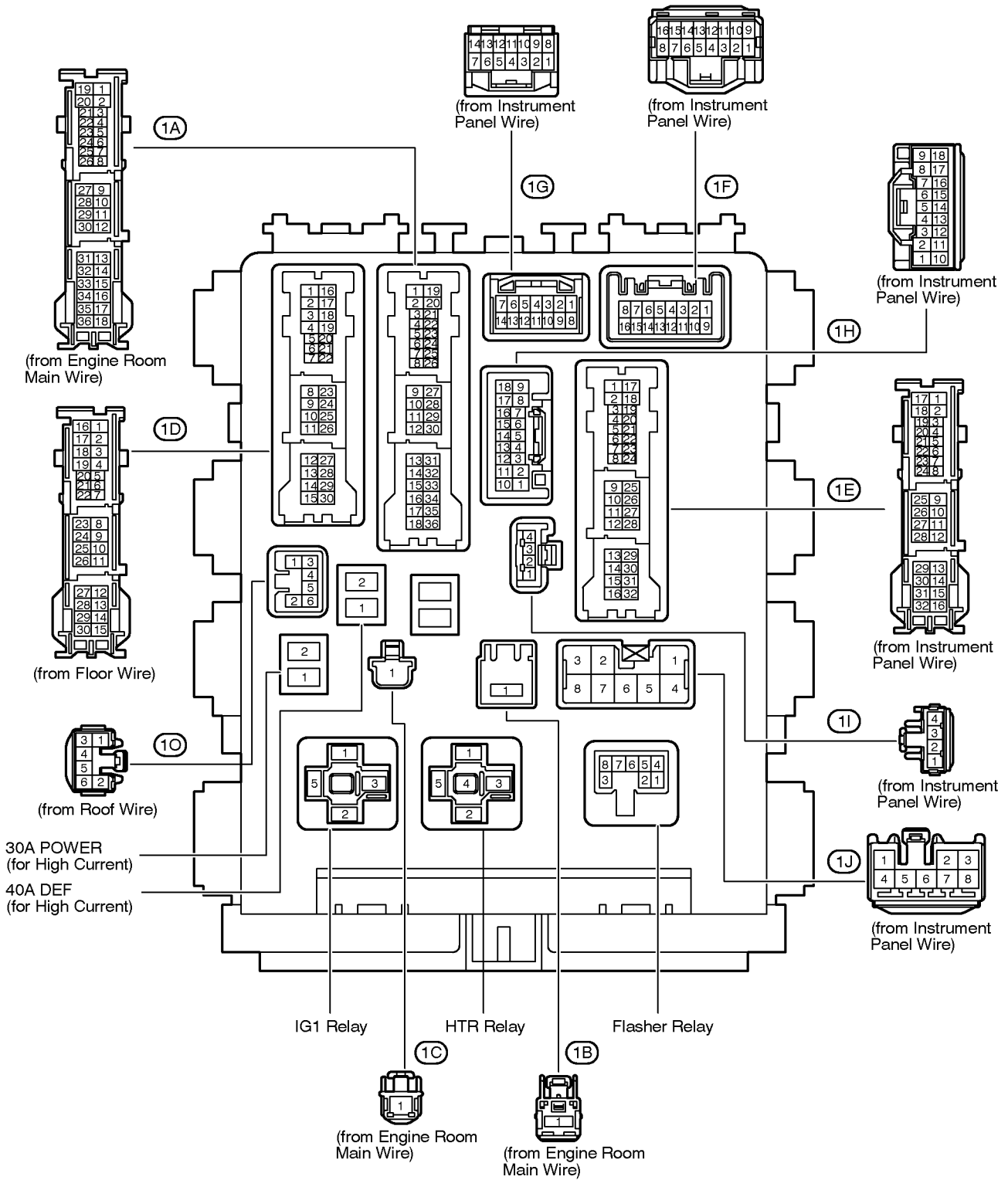
Fusible Link Block

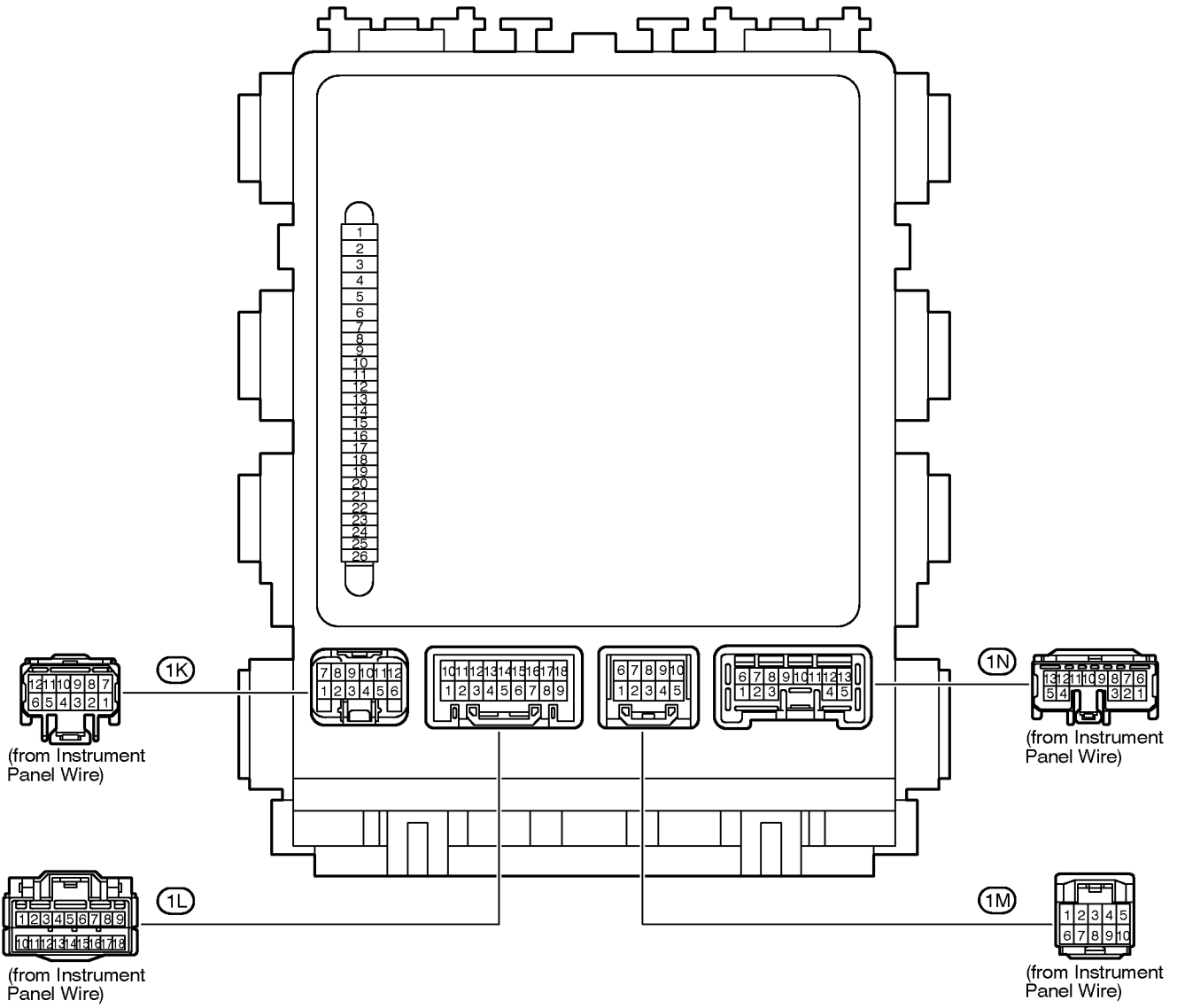
Luggage Room Right (See Page 21)



F RELAY LOCATIONS

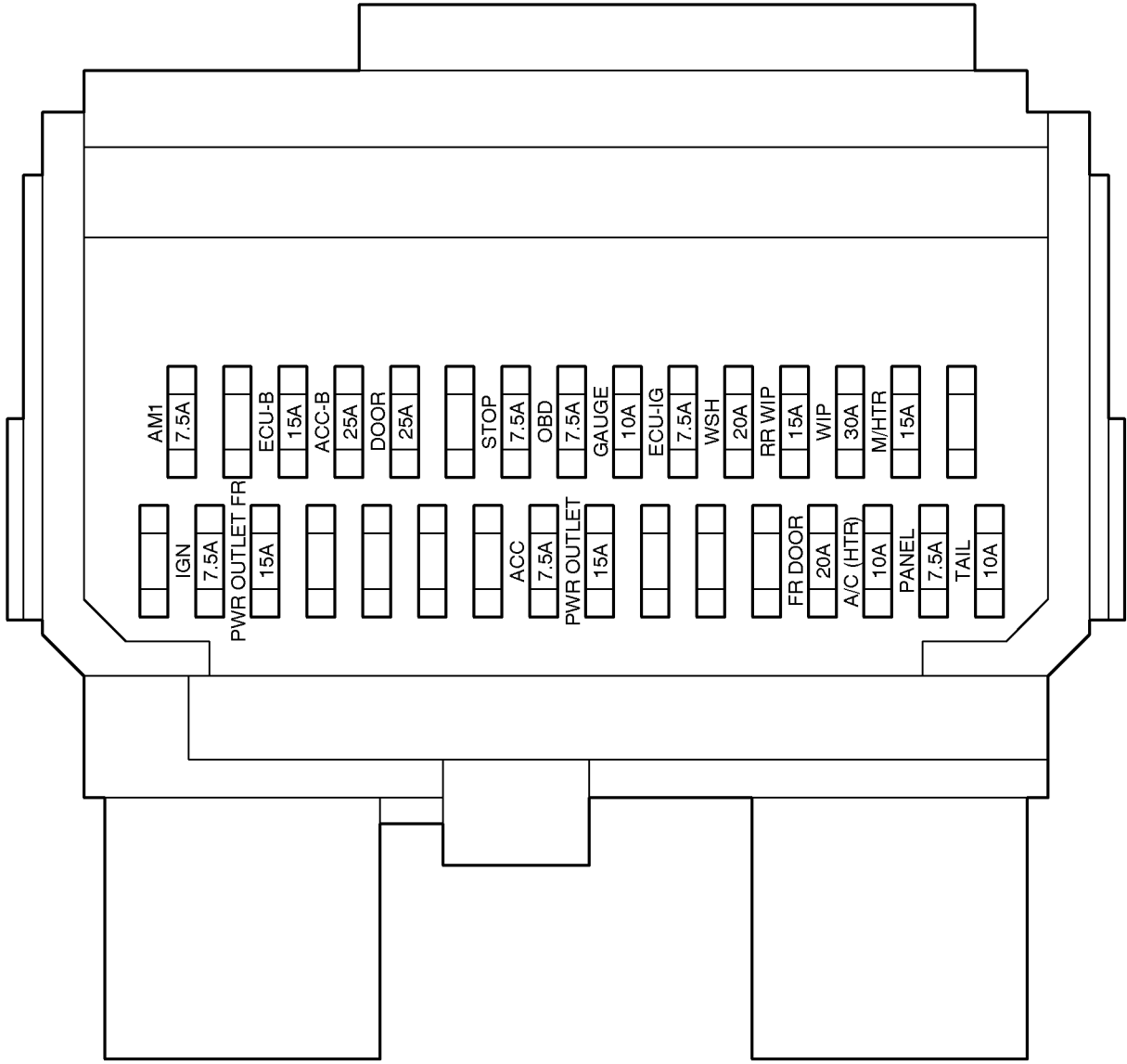
○ : Driver Side J/B Lower Finish Panel (See Page 20)





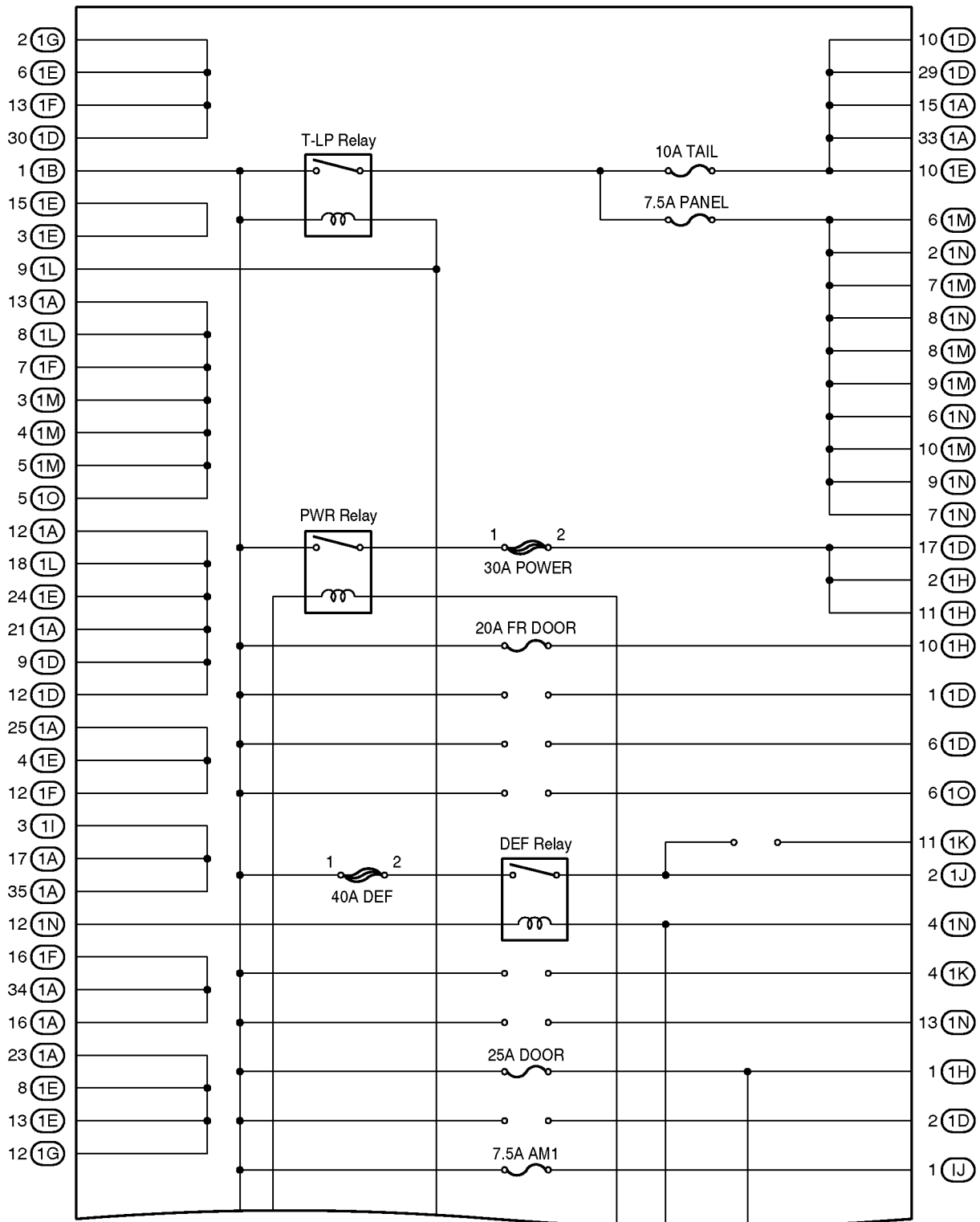
F RELAY LOCATIONS

○ : Driver Side J/B Lower Finish Panel (See Page 20)



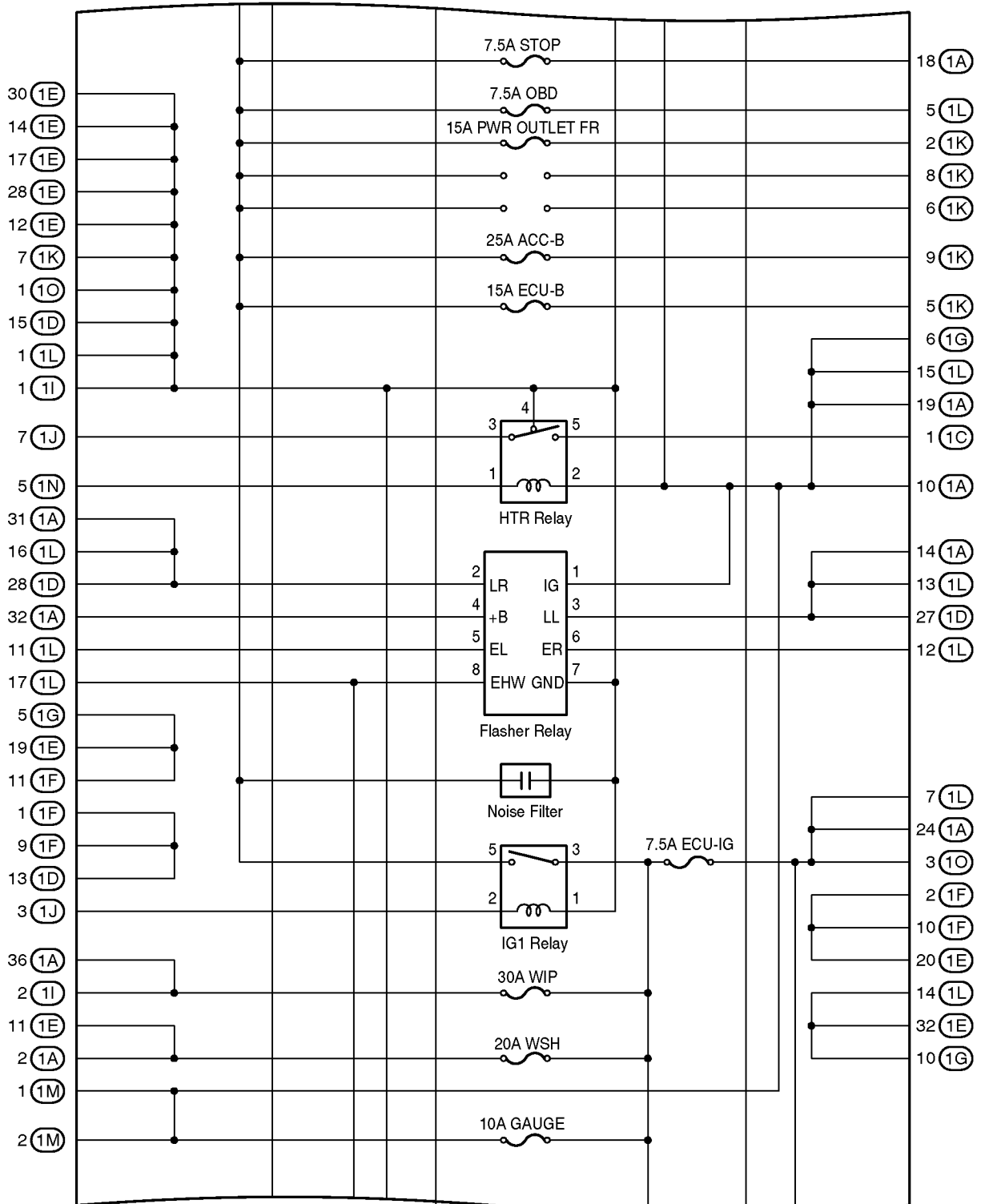
F RELAY LOCATIONS

[Driver Side J/B Inner Circuit]



(Cont. Next Page)

(Cont'd)

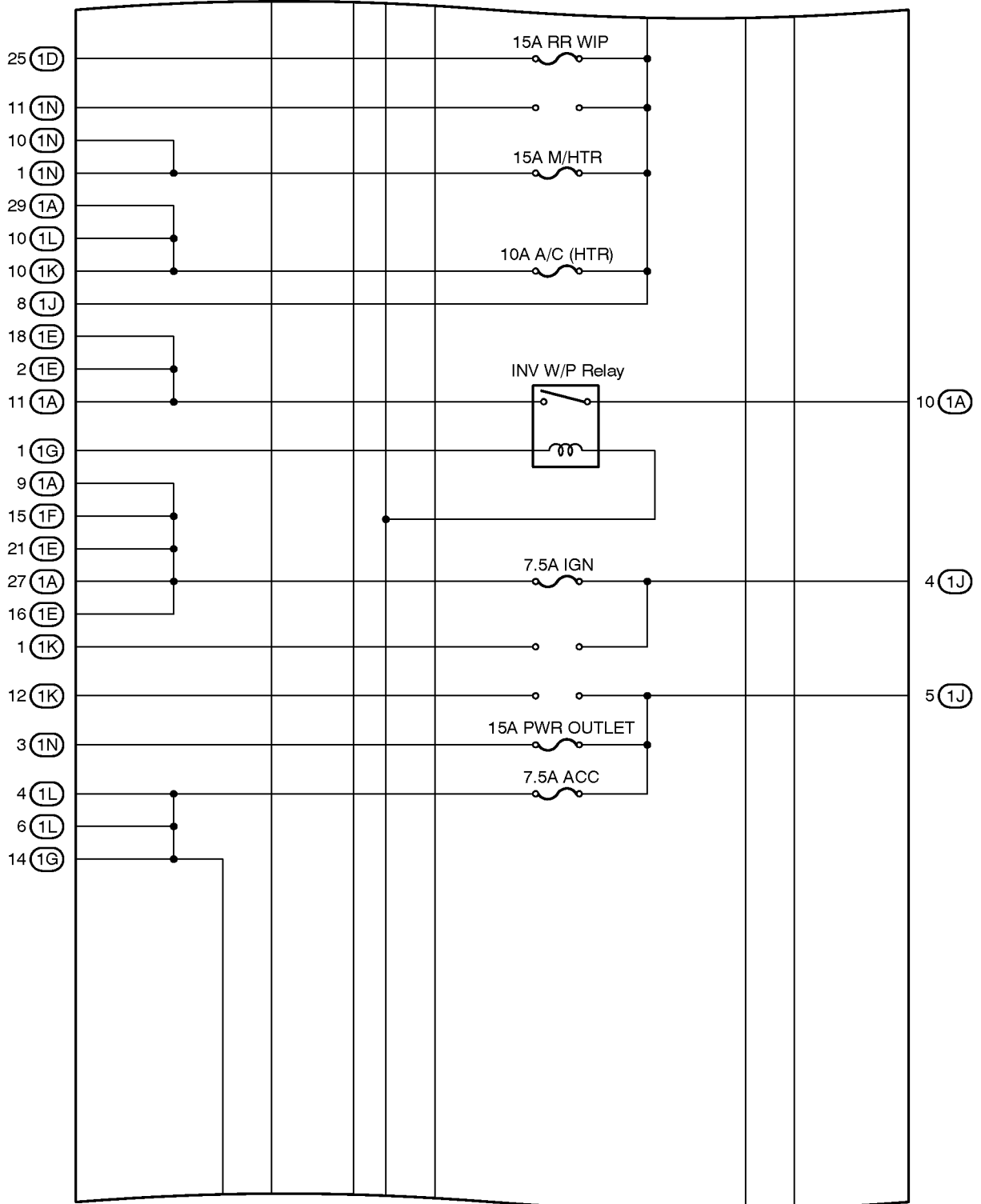


(Cont. Next Page)

F RELAY LOCATIONS

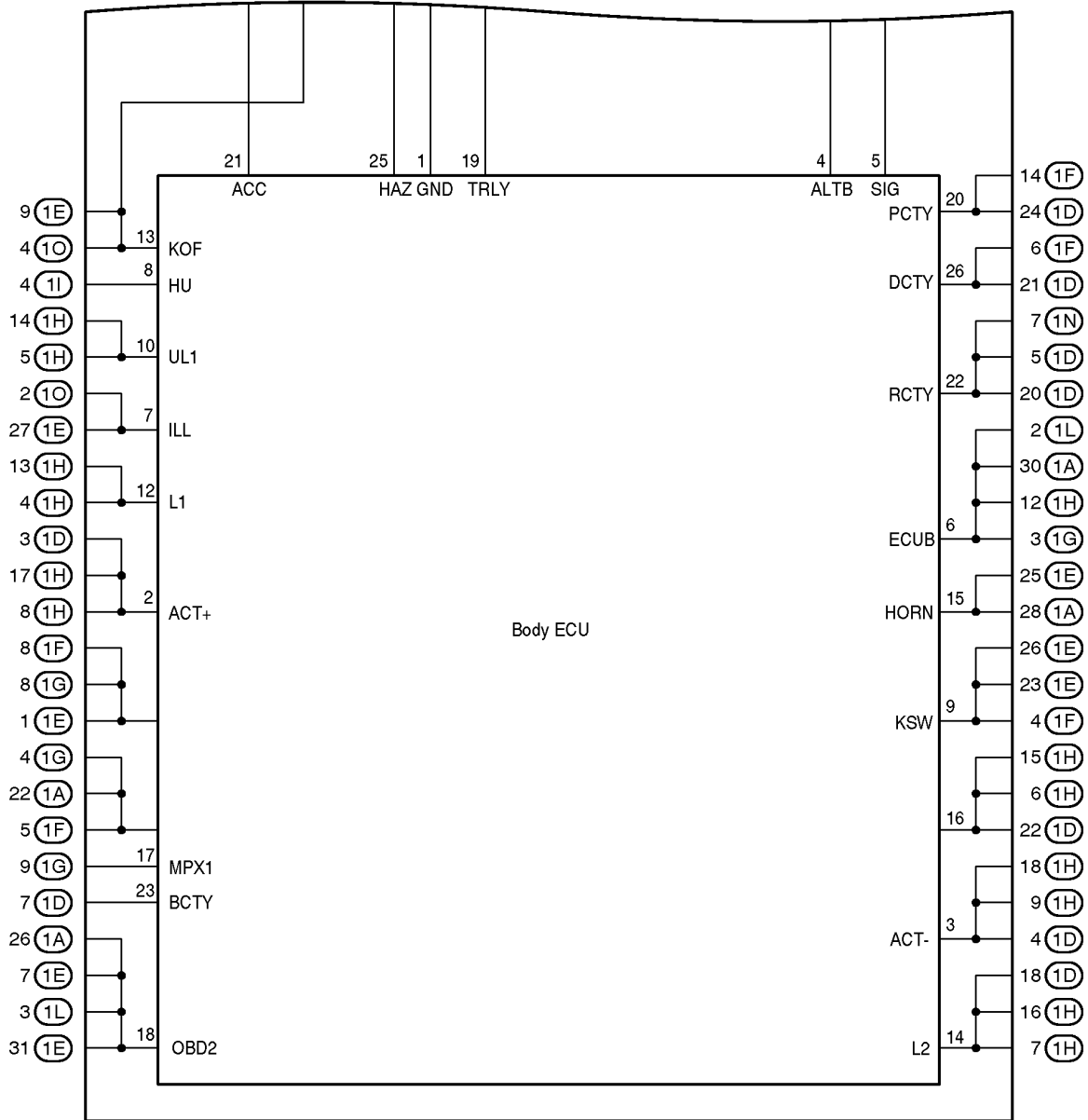
[Driver Side J/B Inner Circuit]

(Cont'd)



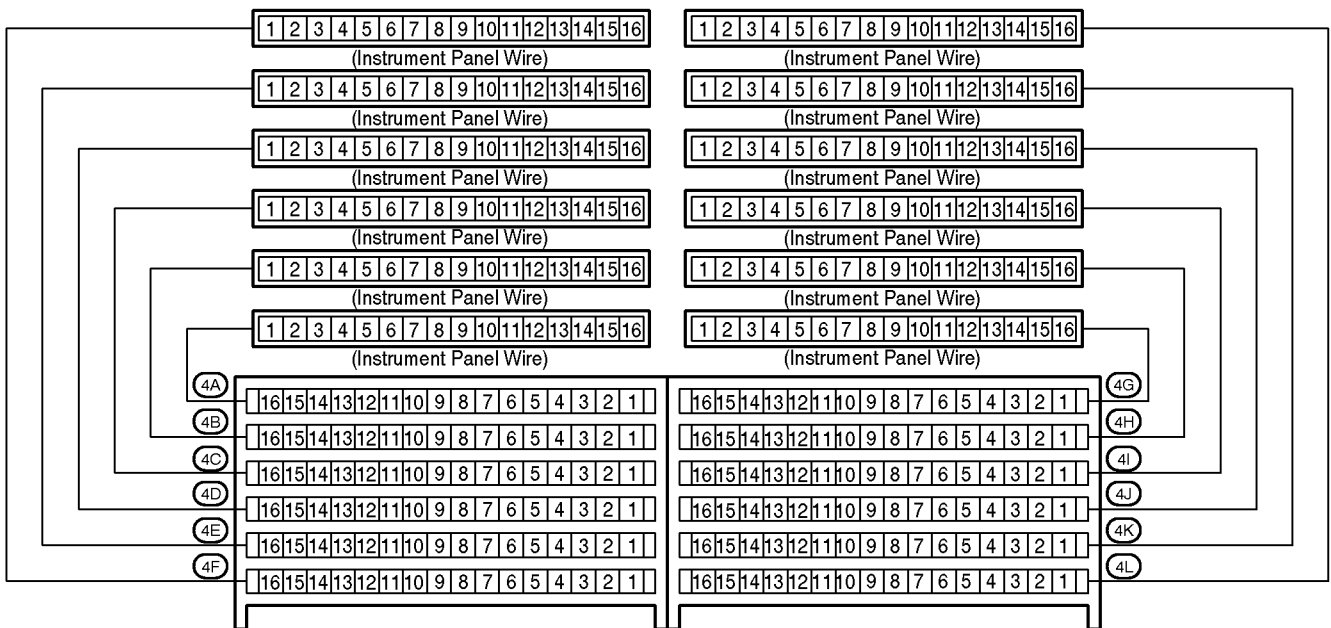
(Cont. Next Page)

(Cont'd)



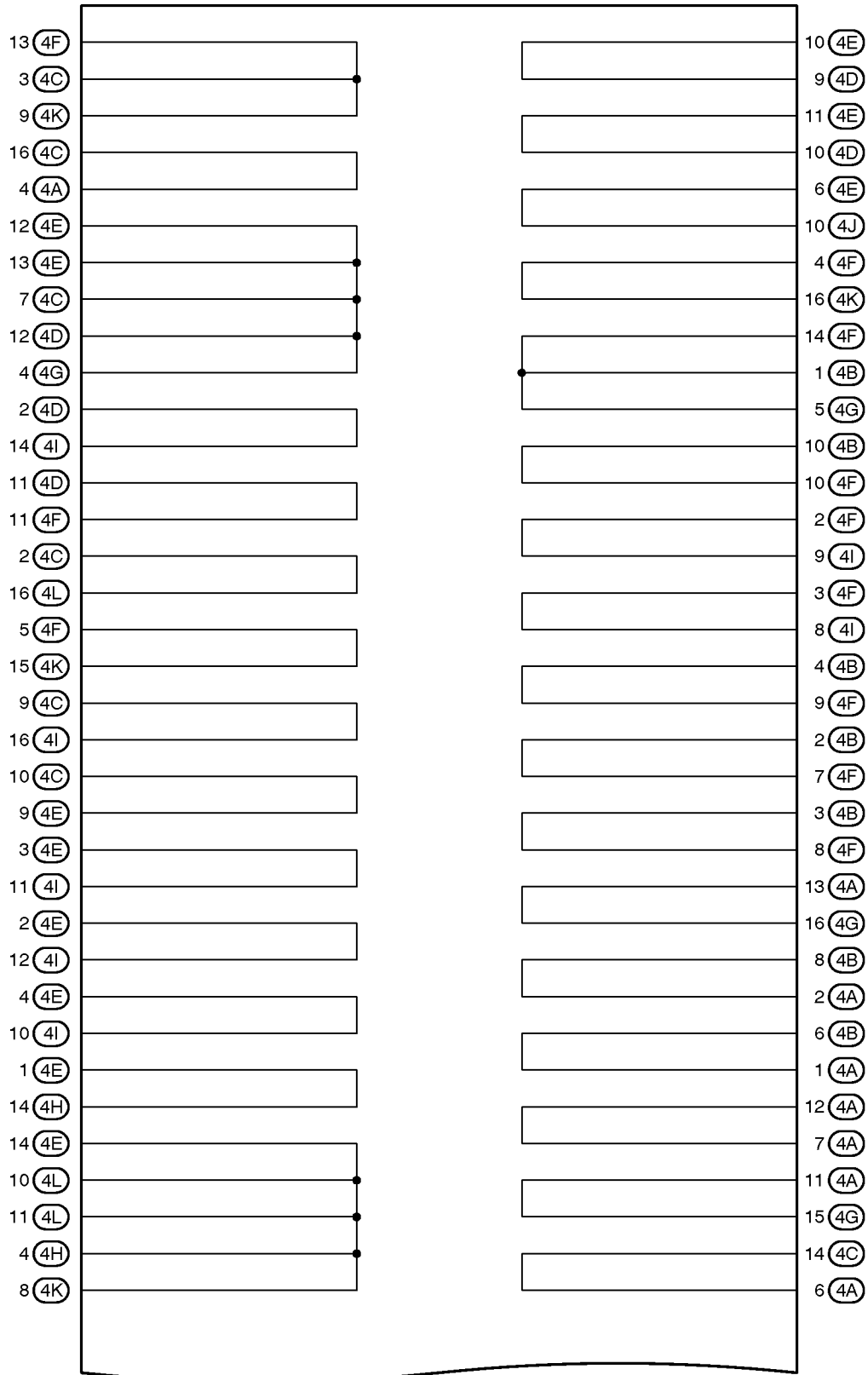
F RELAY LOCATIONS

 : Center Connector No.1 **Behind the Combination Meter (See Page 20)**



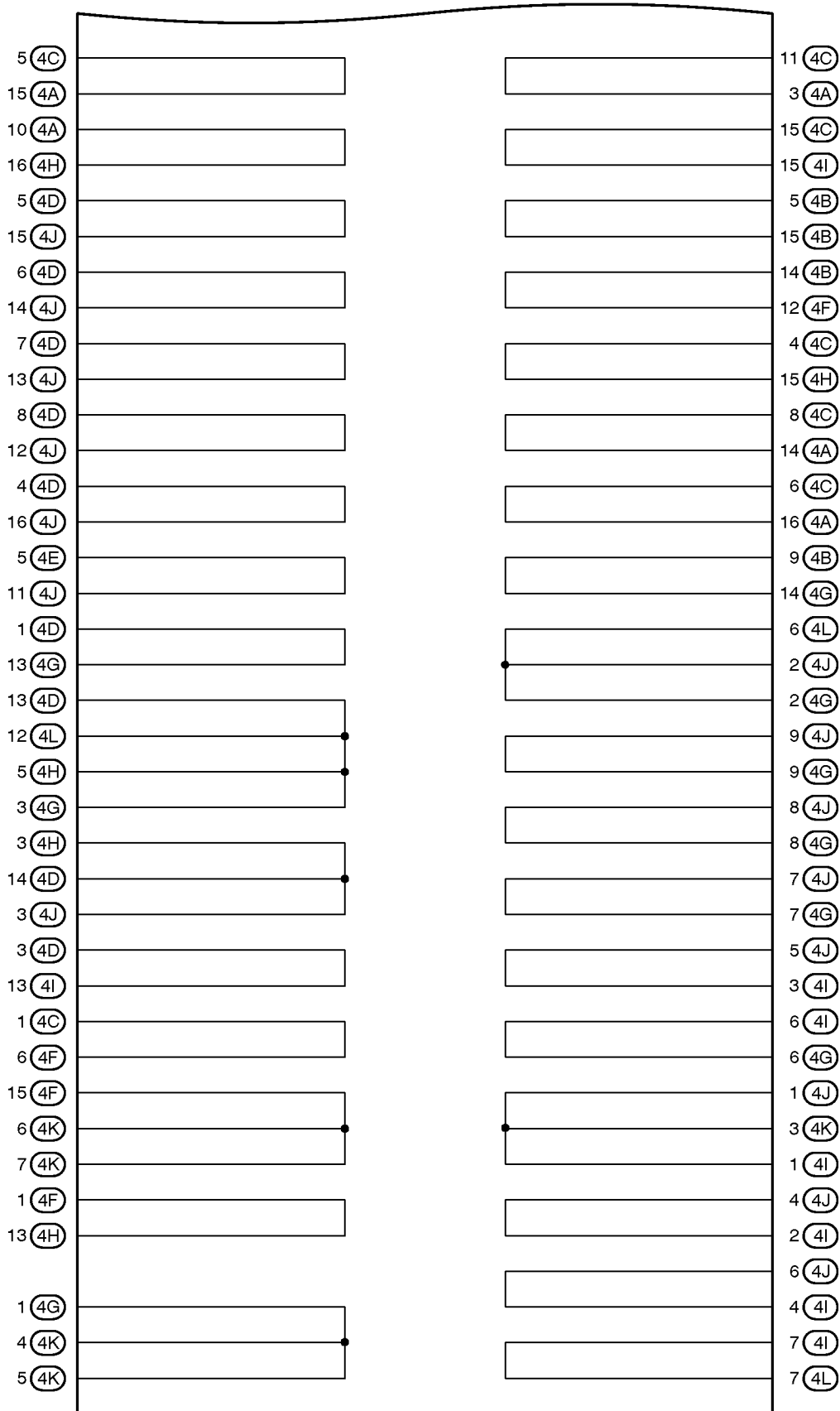
F RELAY LOCATIONS

[Center Connector No.1 Inner Circuit]



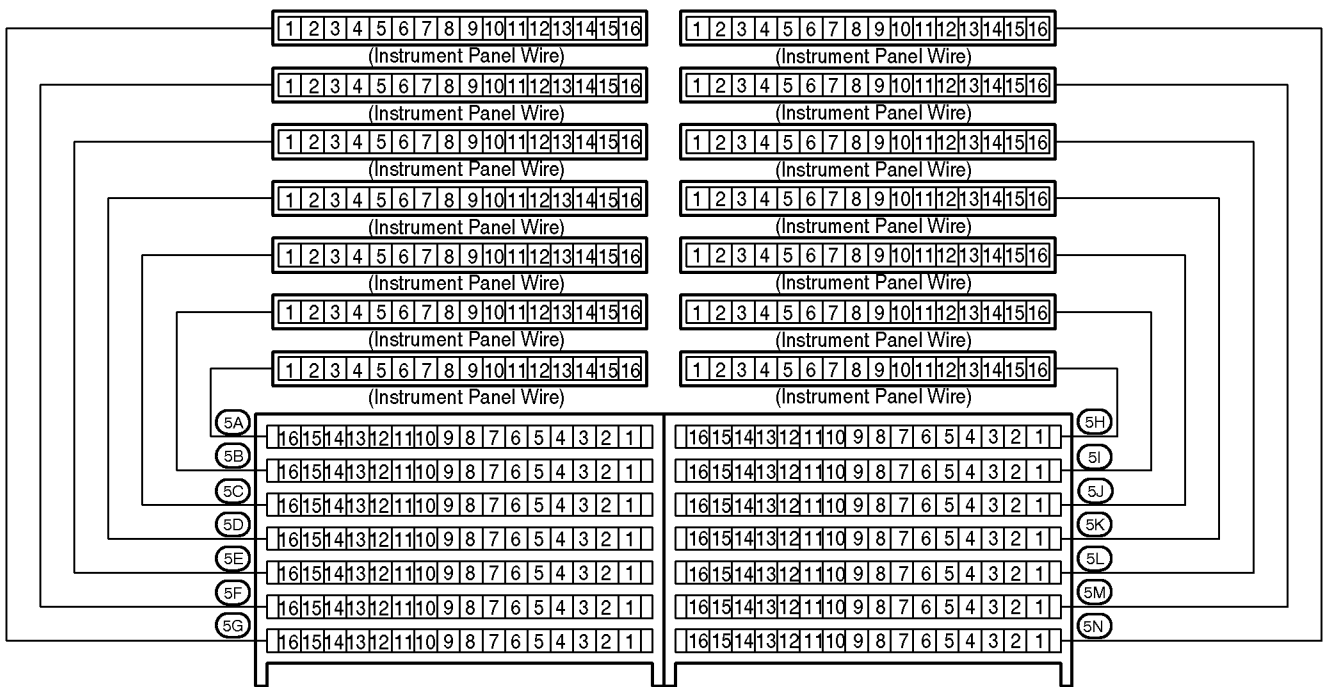
(Cont. Next Page)

(Cont'd)

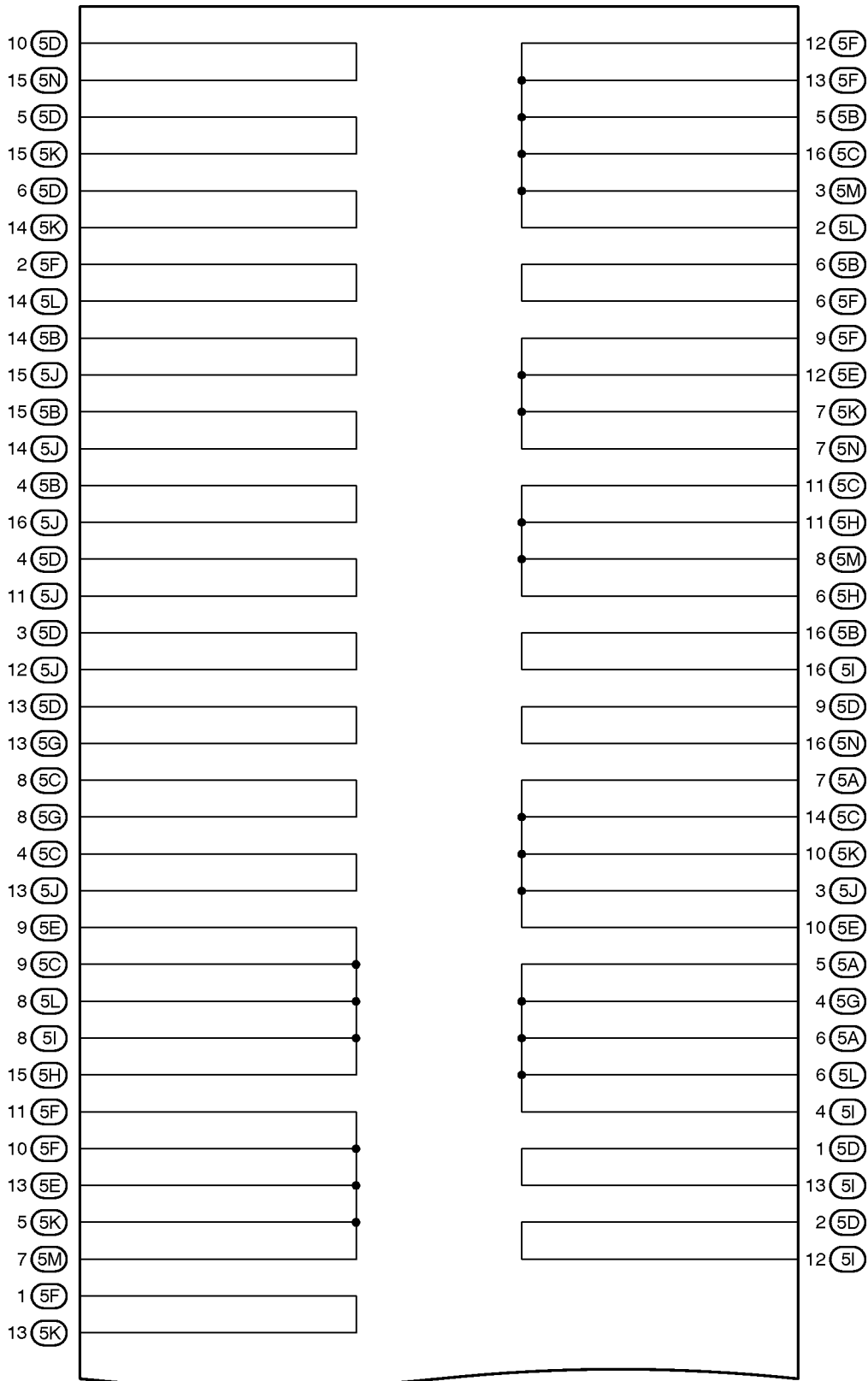


F RELAY LOCATIONS

○ : Center Connector No.2 **Instrument Panel Brace RH (See Page 20)**



[Center Connector No.2 Inner Circuit]

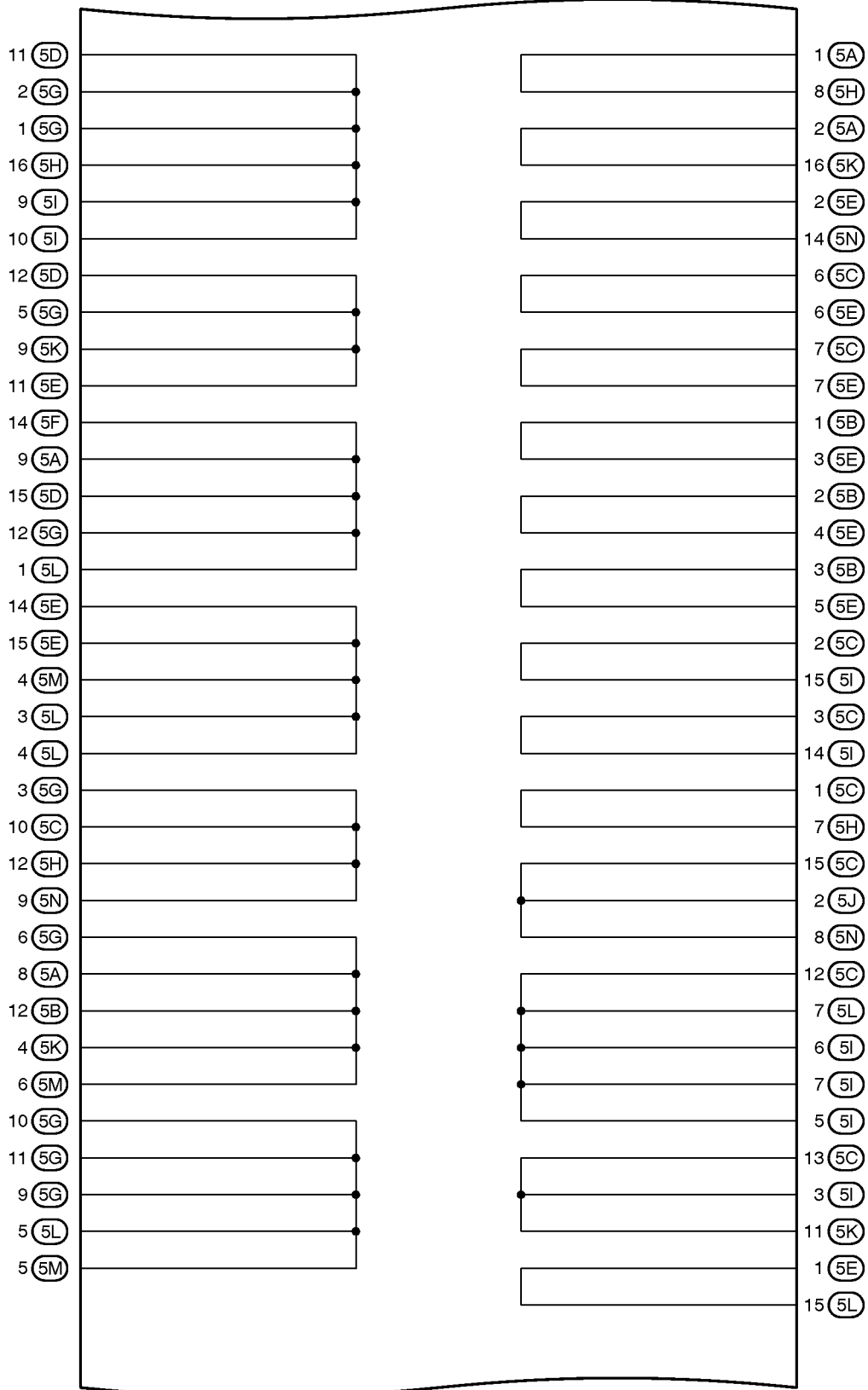


(Cont. Next Page)

F RELAY LOCATIONS

[Center Connector No.2 Inner Circuit]

(Cont'd)



(Cont. Next Page)

(Cont'd)

