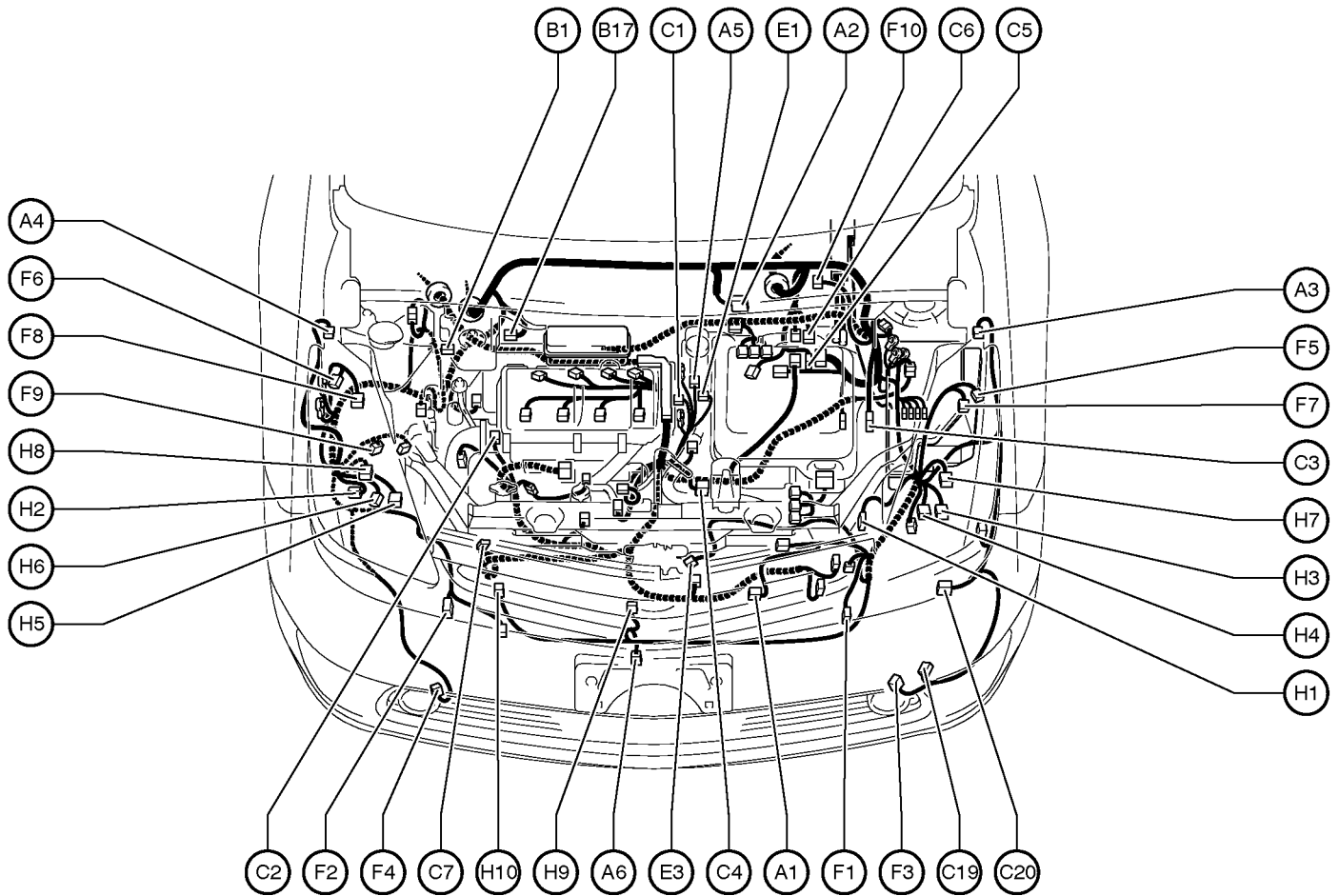


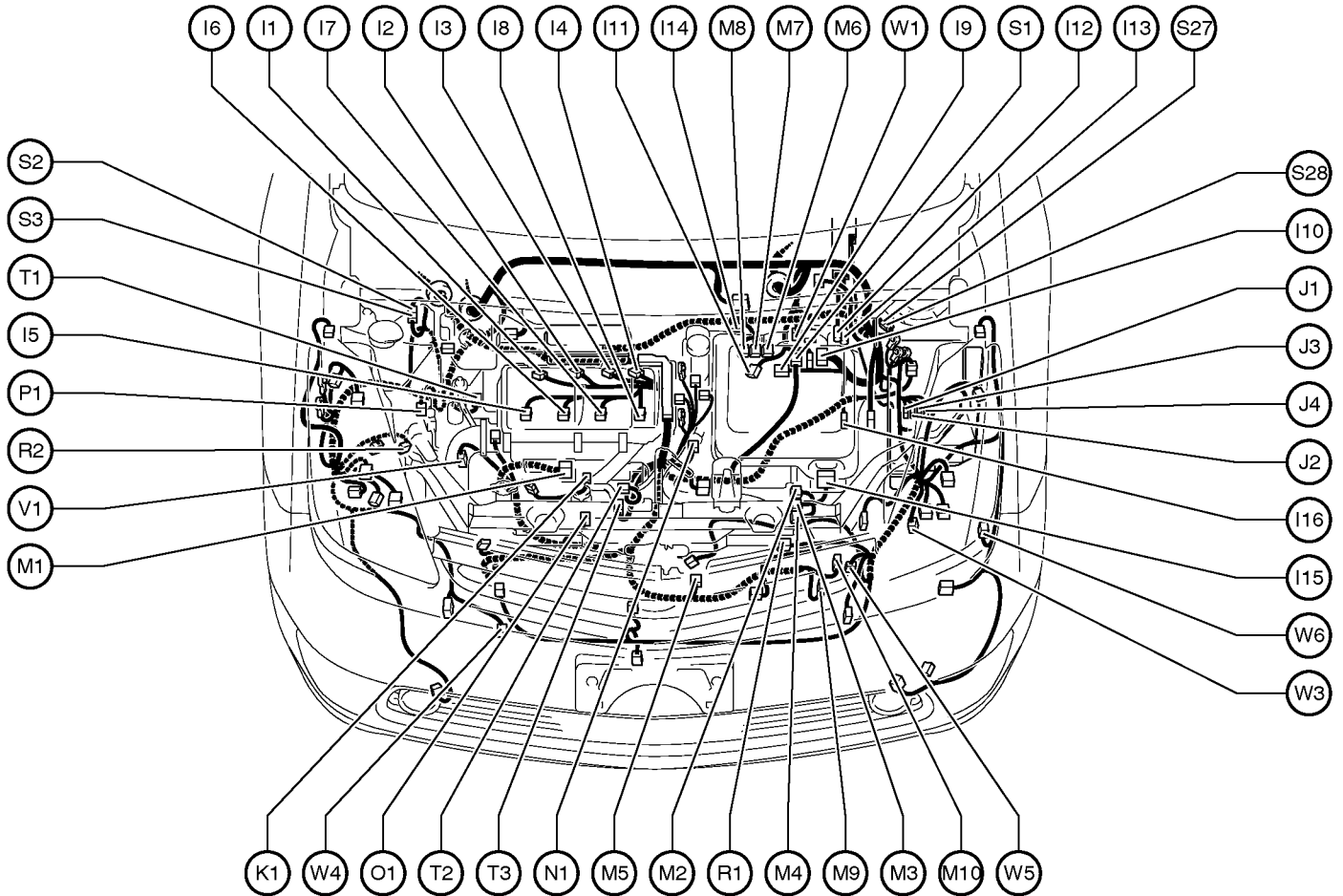
# G ELECTRICAL WIRING ROUTING

## Position of Parts in Engine Compartment



- |   |  |
|---|--|
| A 1 A/C Condenser Fan Motor                         | F 1 Front Airbag Sensor LH                   |
| A 2 ABS & BA & TRAC & VSC Actuator                  | F 2 Front Airbag Sensor RH                   |
| A 3 ABS Speed Sensor Front LH                       | F 3 Front Fog Light LH                       |
| A 4 ABS Speed Sensor Front RH                       | F 4 Front Fog Light RH                       |
| A 5 Air Fuel Ratio Sensor (Bank 1 Sensor 1)         | F 5 Front Side Marker Light LH               |
| A 6 Ambient Temp. Sensor                            | F 6 Front Side Marker Light RH               |
| B 1 Brake Fluid Level Warning SW                    | F 7 Front Turn Signal Light LH               |
| B17 Brake Master Stroke Simulator Cylinder Assembly | F 8 Front Turn Signal Light RH               |
| C 1 Camshaft Position Sensor                        | F 9 Front Washer Motor                       |
| C 2 Camshaft Timing Oil Control Valve               | F 10 Front Wiper Motor                       |
| C 3 Circuit Breaker Sensor                          | H 1 Headlight Beam Level Control Actuator LH |
| C 4 Compressor Assembly (Motor)                     | H 2 Headlight Beam Level Control Actuator RH |
| C 5 Converter                                       | H 3 Headlight Control ECU LH                 |
| C 6 Converter                                       | H 4 Headlight Control ECU LH                 |
| C 7 Crankshaft Position Sensor                      | H 5 Headlight Control ECU RH                 |
| C19 Coolant Heat Storage Tank Outlet Temp. Sensor   | H 6 Headlight Control ECU RH                 |
| C20 Coolant Heat Storage Water Pump                 | H 7 Headlight LH                             |
| E 1 Engine Coolant Temp. Sensor                     | H 8 Headlight RH                             |
| E 3 Engine Hood Courtesy SW                         | H 9 Horn (High)                              |
|   | H10 Horn (Lo)                                |

## Position of Parts in Engine Compartment



I 1 Ignition Coil and Igniter No.1  
 I 2 Ignition Coil and Igniter No.2  
 I 3 Ignition Coil and Igniter No.3  
 I 4 Ignition Coil and Igniter No.4  
 I 5 Injector No.1  
 I 6 Injector No.2  
 I 7 Injector No.3  
 I 8 Injector No.4  
 I 9 Inverter  
 I 10 Inverter  
 I 11 Inverter  
 I 12 Inverter  
 I 13 Inverter  
 I 14 Inverter  
 I 15 Inverter  
 I 16 Inverter

J 1 Junction Connector  
 J 2 Junction Connector  
 J 3 Junction Connector  
 J 4 Junction Connector

K 1 Knock Sensor

M 1 Mass Air Flow Meter  
 M 2 Motor Generator No.1  
 M 3 Motor Generator No.1  
 M 4 Motor Generator No.1  
 M 5 Motor Generator No.1  
 M 6 Motor Generator No.2  
 M 7 Motor Generator No.2

M 8 Motor Generator No.2  
 M 9 Motor Generator No.2  
 M10 Motor Generator No.2

N 1 Noise Filter (Ignition)

O 1 Oil Pressure SW

P 1 Pressure SW

R 1 Radiator Fan Motor

R 2 Rear Washer Motor

S 1 Shift Control Actuator

S 2 Short Connector

S 3 Short Connector

S27 Short Connector (Water Pump)

S28 Short Connector (Water Pump)

T 1 Theft Deterrent Horn

T 2 Throttle Control Motor

T 3 Throttle Position Sensor

V 1 VSV (EVAP)

W 1 Water Pump Motor (A/C)

W 3 Water Pump Motor (Inverter)

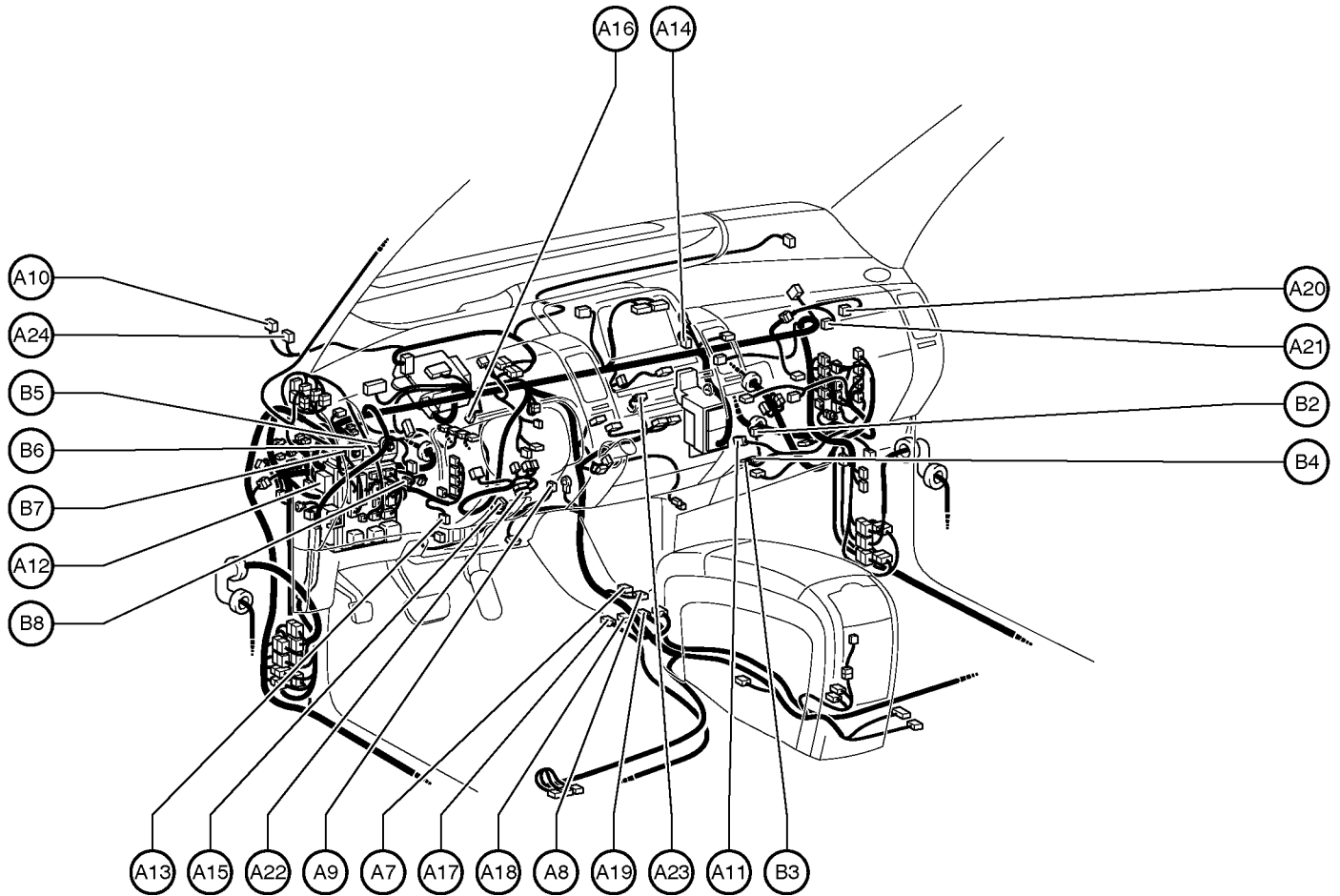
W 4 Water Temp. SW

W 5 Water Valve

W 6 Wireless Door Lock Buzzer

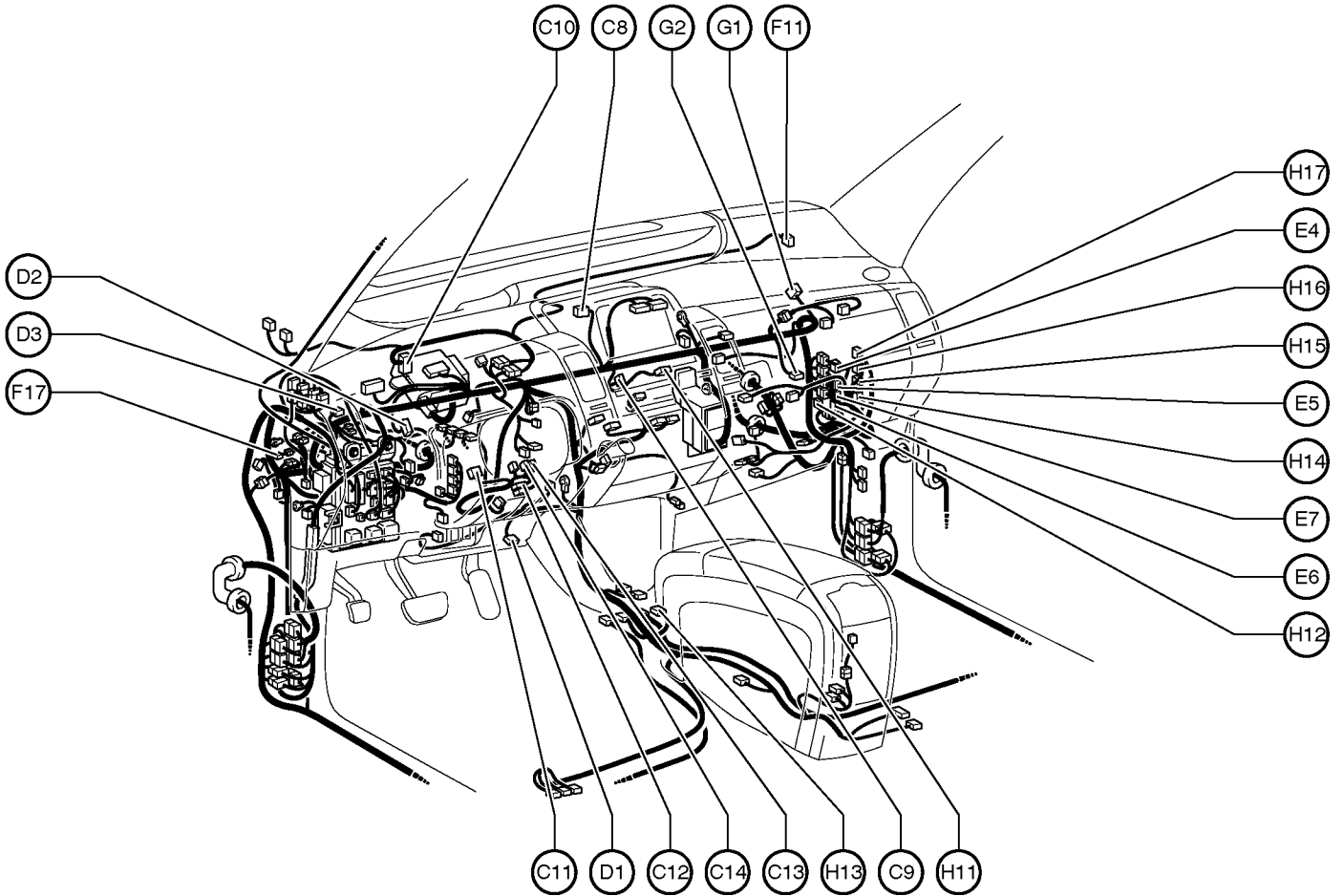
# G ELECTRICAL WIRING ROUTING

## Position of Parts in Instrument Panel



- |   |                               |
|---|-------------------------------|
| A 7 A/C Control Assembly                                | B 2 Blower Motor              |
| A 8 A/C Control Assembly                                | B 3 Blower Motor Controller   |
| A 9 A/C Room Temp. Sensor                               | B 4 Blower Motor Controller   |
| A10 A/C Solar Sensor                                    | B 5 Body ECU                  |
| A11 A/C Thermistor                                      | B 6 Body ECU                  |
| A12 ACC Relay   | B 7 Body ECU                  |
| A13 Accel Position Sensor                               | B 8 Brake Pedal Stroke Sensor |
| A14 Air Inlet Control Servo Motor                       |                               |
| A15 Air Mix Control Servo Motor                         |                               |
| A16 Air Vent Mode Control Servo Motor                   |                               |
| A17 Airbag Sensor Assembly                              |                               |
| A18 Airbag Sensor Assembly                              |                               |
| A19 Airbag Sensor Assembly                              |                               |
| A20 Airbag Squib (Front Passenger Airbag Assembly No.1) |                               |
| A21 Airbag Squib (Front Passenger Airbag Assembly No.2) |                               |
| A22 Airbag Squib (Steering Wheel Pad)                   |                               |
| A23 Antenna Amplifier                                   |                               |
| A24 Automatic Light Control Sensor                      |                               |

## Position of Parts in Instrument Panel



C 8 Center Speaker  
 C 9 Clock  
 C10 Combination Meter  
 C11 Combination SW  
 C12 Combination SW  
 C13 Combination SW  
 C14 Combination SW

D 1 Data Link Connector 3  
 D 2 Daytime Running Light Relay  
 D 3 Diode (Daytime Running Light)

E 4 Engine Control Module  
 E 5 Engine Control Module  
 E 6 Engine Control Module  
 E 7 Engine Control Module

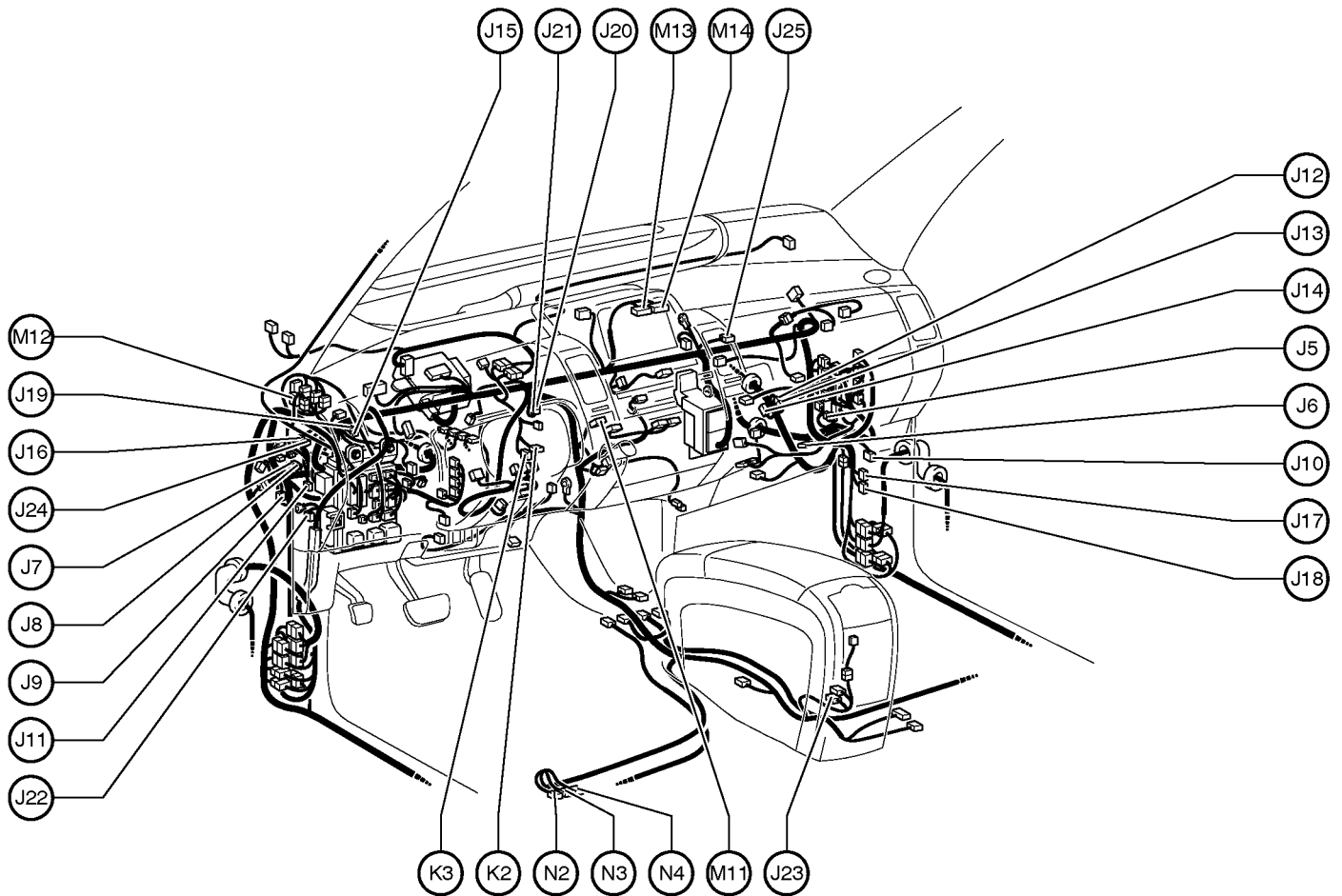
F 11 Front Passenger Seat Belt Warning Light  
 F 17 Fuse Holder

G 1 Gateway ECU  
 G 2 Glove Box Light

H 11 Hazard SW  
 ODO/TRIP SW  
 H12 Headlight Beam Level Control ECU  
 H13 Heated Oxygen Sensor (Bank 1 Sensor 2)  
 H14 Hybrid Vehicle Control ECU  
 H15 Hybrid Vehicle Control ECU  
 H16 Hybrid Vehicle Control ECU  
 H17 Hybrid Vehicle Control ECU

# G ELECTRICAL WIRING ROUTING

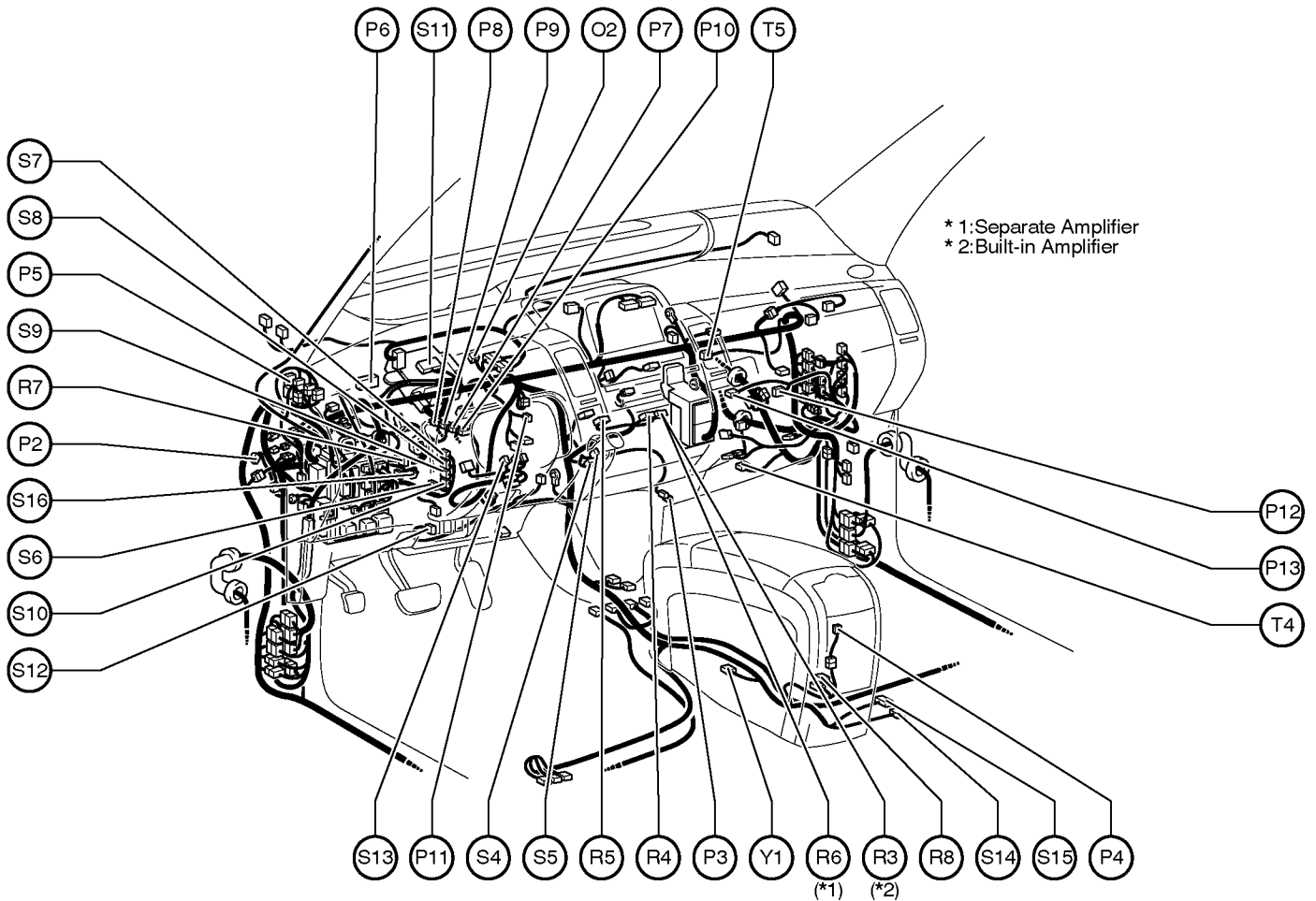
## Position of Parts in Instrument Panel



- J 5 Junction Connector
- J 6 Junction Connector
- J 7 Junction Connector
- J 8 Junction Connector
- J 9 Junction Connector
- J 10 Junction Connector
- J 11 Junction Connector
- J 12 Junction Connector
- J 13 Junction Connector
- J 14 Junction Connector
- J 15 Junction Connector
- J 16 Junction Connector
- J 17 Junction Connector
- J 18 Junction Connector
- J 19 Junction Connector
- J 20 Junction Connector
- J 21 Junction Connector
- J 22 Junction Connector
- J 23 Junction Connector
- J 24 Junction Connector
- J 25 Junction Connector

- K 2 Key Slot
- K 3 Key Slot
- M11 Main SW
- M12 Mirror Heater Relay
- M13 Multi-Display
- M14 Multi-Display
- N 2 Navigation ECU
- N 3 Navigation ECU
- N 4 Navigation ECU

## Position of Parts in Instrument Panel



O 2 Option Connector (Glass Breakage Sensor)

P 2 Parking Brake SW

P 3 Power Outlet No.1

P 4 Power Outlet No.2

P 5 Power Outlet Relay

P 6 Power Source Control ECU

P 7 Power Steering ECU

P 8 Power Steering ECU

P 9 Power Steering Motor

P10 Power Steering Torque Sensor

P11 Power SW

P12 PTC Heater

P13 PTC Heater

R 3 Radio and Player

R 4 Radio and Player

R 5 Radio and Player

R 6 Radio and Player

R 7 Rheostat

R 8 Room Oscillator

S 4 Shift Lever Position Sensor

S 5 Shift Lever Position Sensor

S 6 Skid Control Buzzer

S 7 Skid Control ECU

S 8 Skid Control ECU

S 9 Skid Control ECU

S10 Skid Control ECU

S11 Smart Key ECU

S12 Smart Key System Cancel SW

S13 Steering Sensor

S14 Stereo Component Amplifier

S15 Stereo Component Amplifier

S16 Stop Light SW

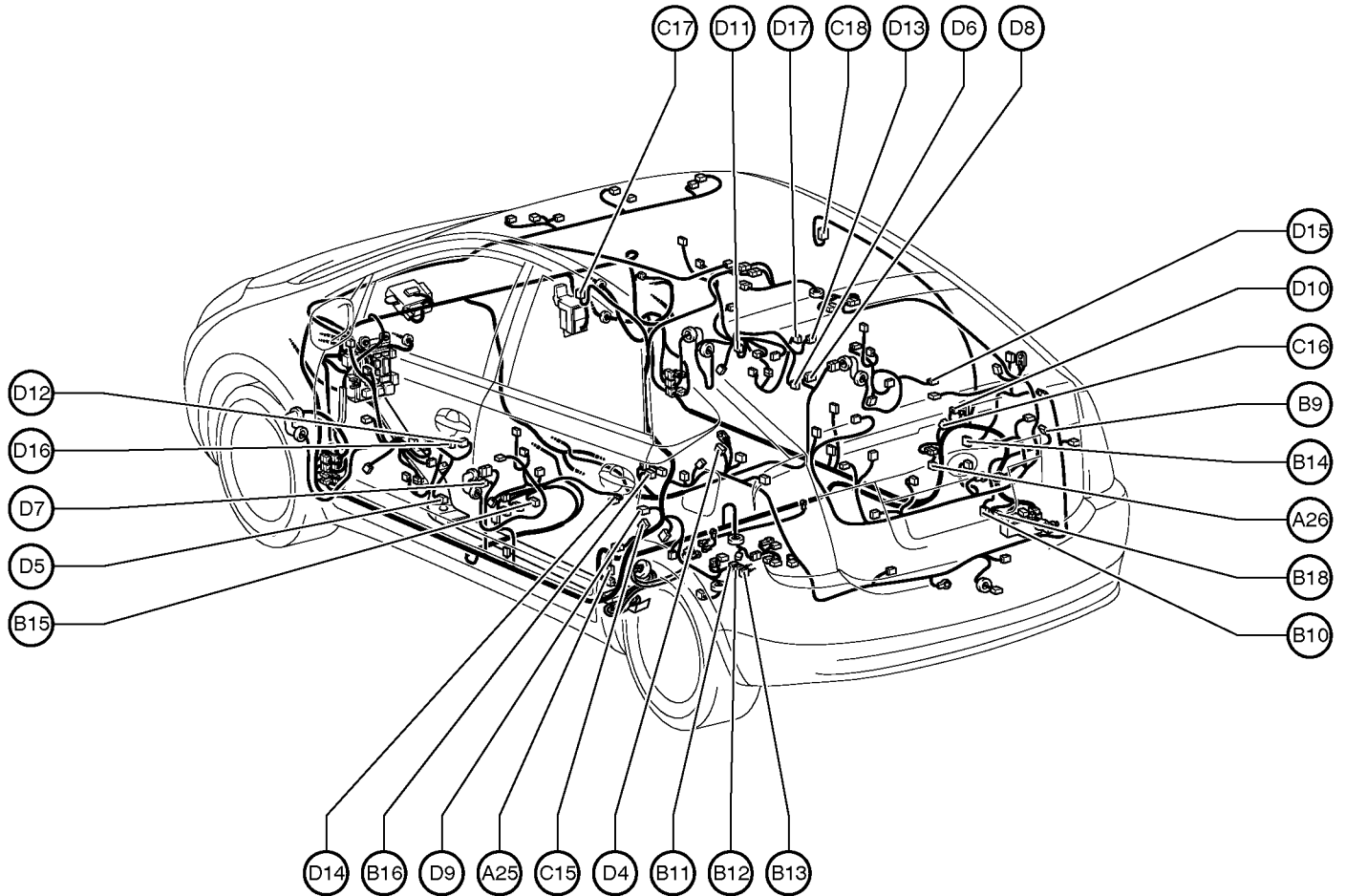
T 4 Transmission Control ECU

T 5 Transponder Key Computer

Y 1 Yaw Rate Sensor

# G ELECTRICAL WIRING ROUTING

## Position of Parts in Body



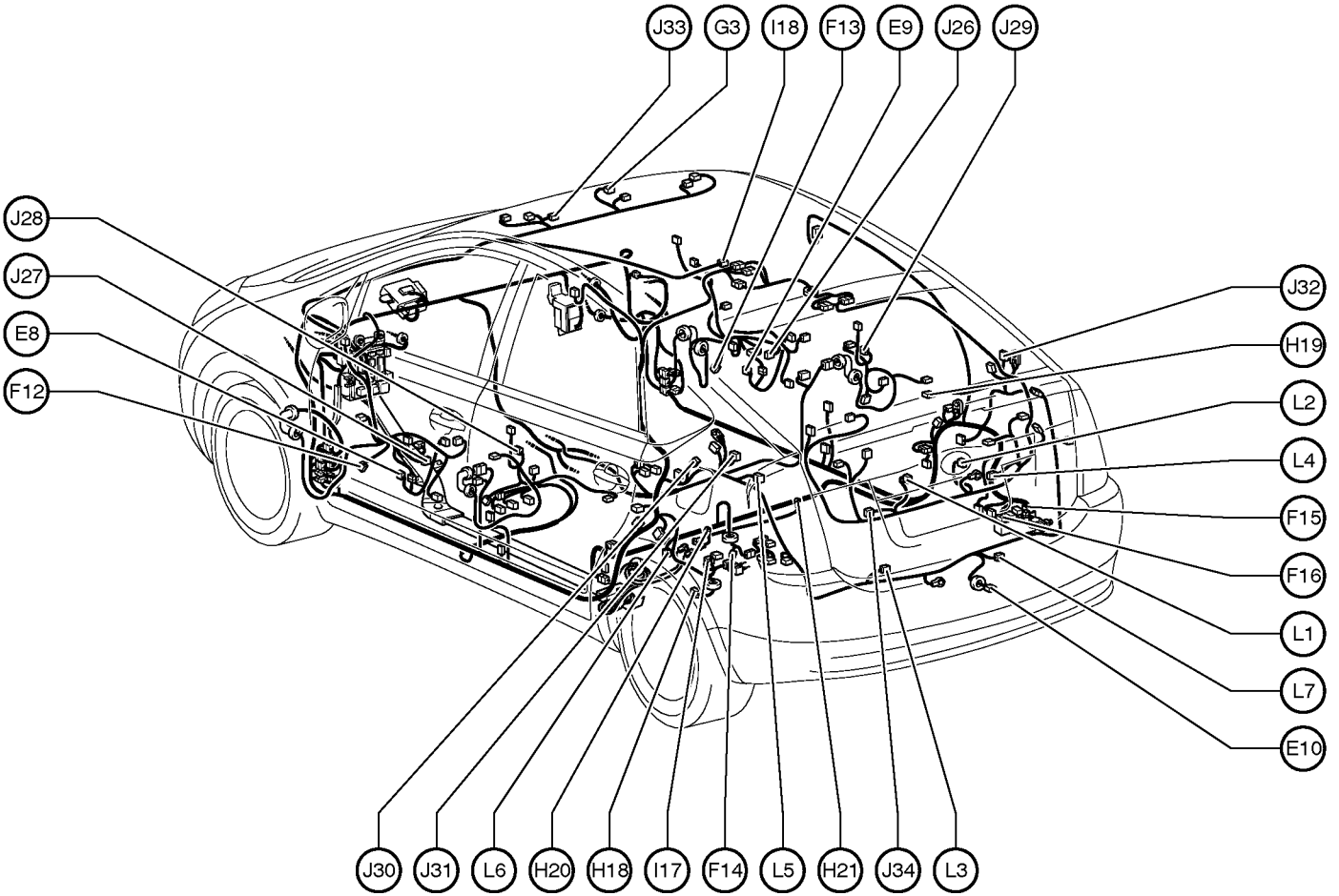
A25 ABS Speed Sensor Rear LH  
 A26 ABS Speed Sensor Rear RH

B 9 Battery Blower Motor  
 B10 Battery Blower Motor Controller  
 B11 Battery ECU  
 B12 Battery ECU  
 B13 Battery ECU  
 B14 Battery Fan Relay  
 B15 Buckle SW Front LH  
 B16 Buckle SW Front RH  
 B18 Brake Control Power Supply

C15 Curtain Shield Airbag Sensor LH  
 C16 Curtain Shield Airbag Sensor RH  
 C17 Curtain Shield Airbag Squib LH  
 C18 Curtain Shield Airbag Squib RH

D 4 Door Control Receiver  
 D 5 Door Courtesy Light Front LH  
 D 6 Door Courtesy Light Front RH  
 D 7 Door Courtesy SW Front LH  
 D 8 Door Courtesy SW Front RH  
 D 9 Door Courtesy SW Rear LH  
 D10 Door Courtesy SW Rear RH  
 D11 Door Lock Control SW Front RH  
 D12 Door Lock Motor Front LH  
 Door Unlock Detection SW Front LH  
 D13 Door Lock Motor Front RH  
 Door Unlock Detection SW Front RH  
 D14 Door Lock Motor Rear LH  
 Door Unlock Detection SW Rear LH  
 D15 Door Lock Motor Rear RH  
 Door Unlock Detection SW Rear RH  
 D16 Door Oscillator Front LH (w/ Sensor)  
 D17 Door Oscillator Front RH (w/ Sensor)

**Position of Parts in Body**



- E 8 Electrical Key Antenna (Driver's Side)
- E 9 Electrical Key Antenna (Front Passenger's Side)
- E10 Electrical Key Antenna (Luggage Compartment Door)

- F 12 Front Door Speaker LH
- F 13 Front Door Speaker RH
- F 14 Fuel Pump  
Fuel Sender
- F 15 Fusible Link Block
- F 16 Fusible Link Block

- G 3 Garage Door Opener  
Inner Mirror

- H18 Height Control Sensor
- H19 High Mounted Stop Light
- H20 Hybrid Vehicle Battery
- H21 Hybrid Vehicle Battery

- I 17 Inter Lock SW
- I 18 Interior Light

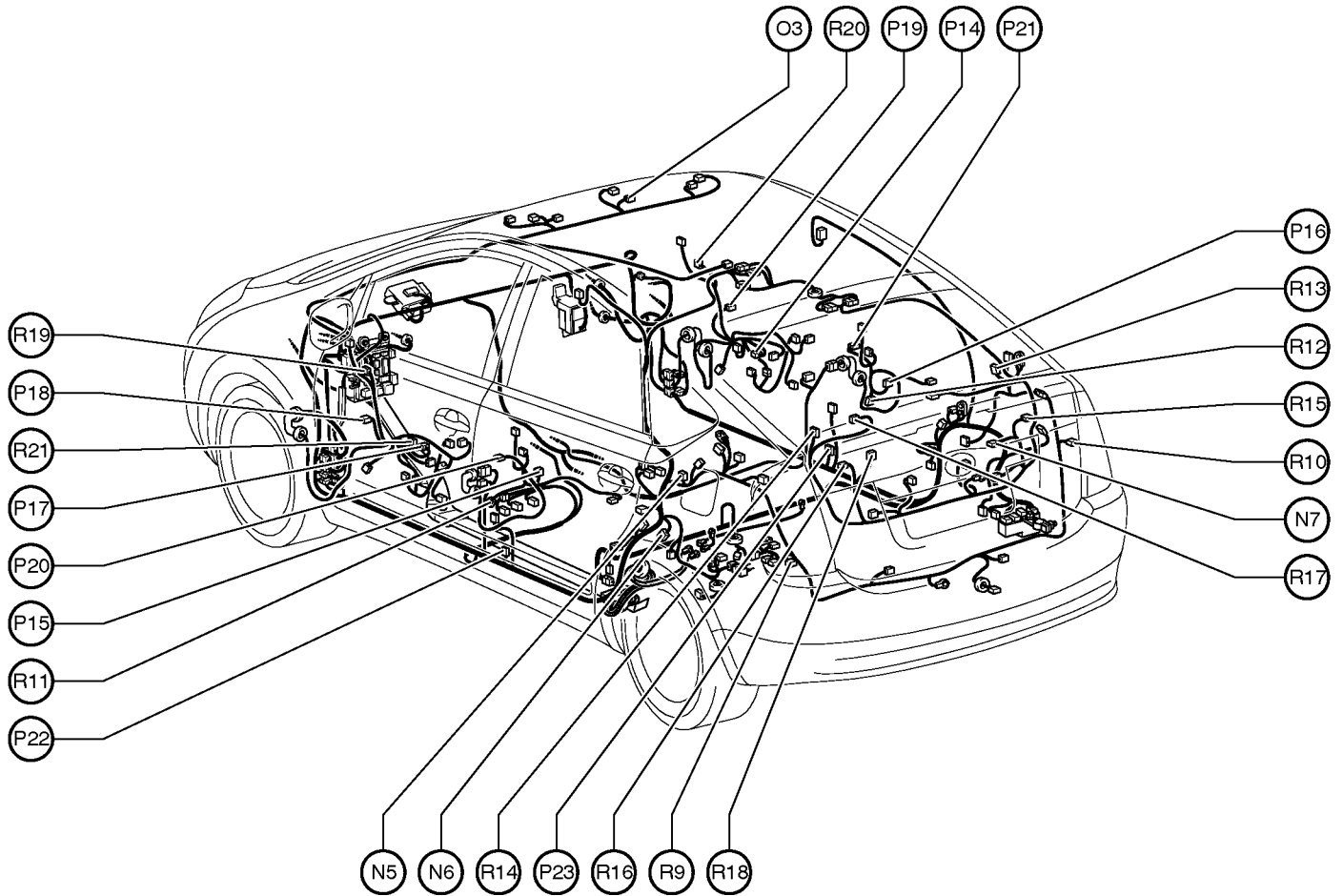
- J 26 Junction Connector
- J 27 Junction Connector
- J 28 Junction Connector
- J 29 Junction Connector
- J 30 Junction Connector
- J 31 Junction Connector
- J 32 Junction Connector
- J 33 Junction Connector
- J 34 Junction Connector

- L 1 License Plate Light LH
- L 2 License Plate Light RH
- L 3 Luggage Compartment Courtesy SW  
Luggage Compartment Door Opener Motor
- L 4 Luggage Compartment Door Lock SW  
Luggage Compartment Door Opener SW
- L 5 Luggage Compartment Light
- L 6 Luggage Oscillator (Inner)
- L 7 Luggage Oscillator (Outer)



# G ELECTRICAL WIRING ROUTING

## Position of Parts in Body



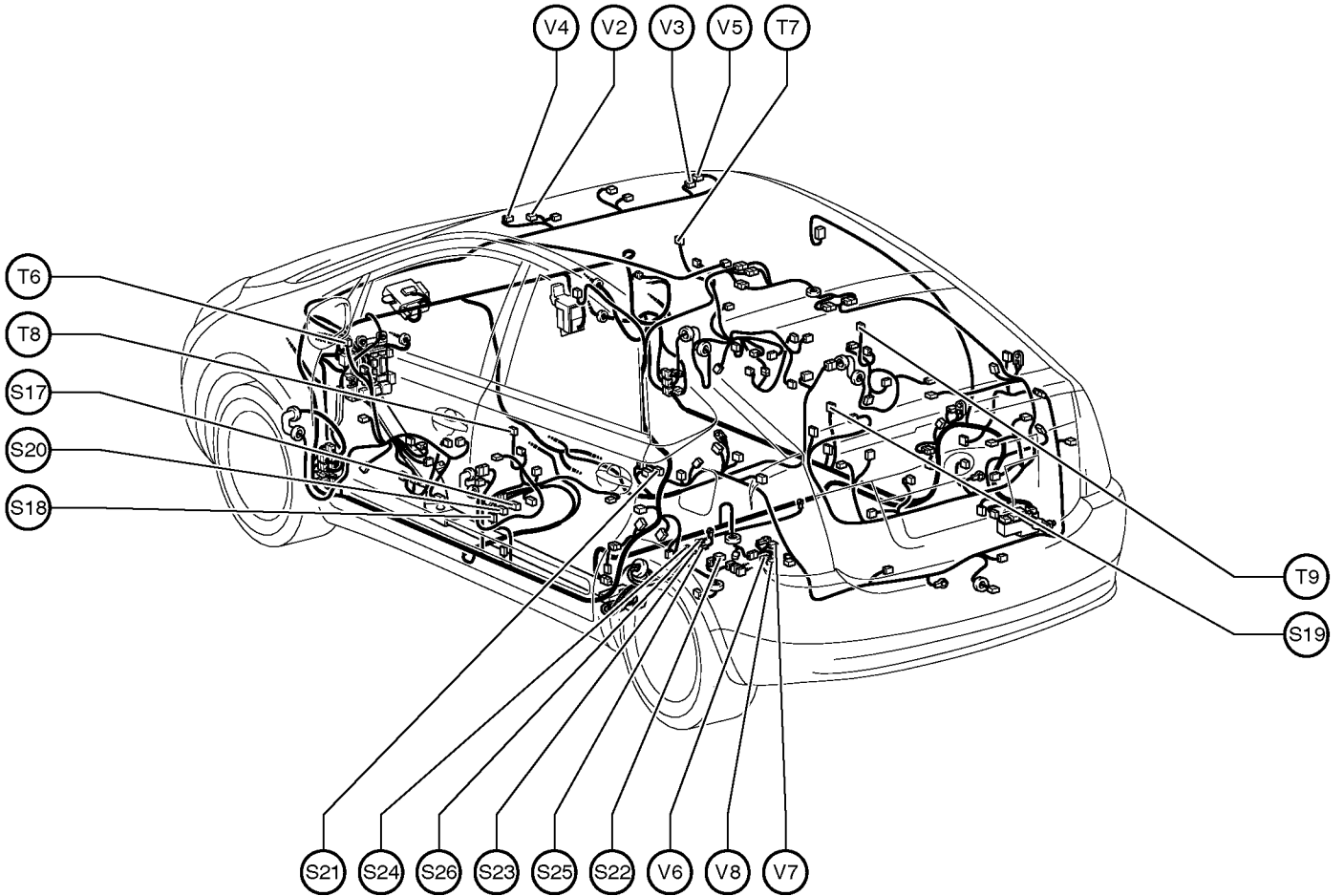
N 5 Noise Filter (High Mounted Stop Light)  
 N 6 Noise Filter (Rear Window Defogger)  
 N 7 Noise Filter (Rear Window Defogger)

O 3 Overhead J/B

P 14 Power Window Control SW Front RH  
 P 15 Power Window Control SW Rear LH  
 P 16 Power Window Control SW Rear RH  
 P 17 Power Window Master SW  
 P 18 Power Window Motor Front LH  
 P 19 Power Window Motor Front RH  
 P 20 Power Window Motor Rear LH  
 P 21 Power Window Motor Rear RH  
 P 22 Pretensioner LH  
 P 23 Pretensioner RH

R 9 Rear Combination Light LH  
 R 10 Rear Combination Light RH  
 R 11 Rear Door Speaker LH  
 R 12 Rear Door Speaker RH  
 R 13 Rear Window Defogger  
 R 14 Rear Window Defogger  
 R 15 Rear Window Defogger  
 R 16 Rear Window Defogger  
 R 17 Rear Wiper Motor  
 R 18 Rear Wiper Relay  
 R 19 Mirror Heater LH  
       Remote Control Mirror LH  
 R 20 Mirror Heater RH  
       Remote Control Mirror RH  
 R 21 Remote Control Mirror SW

## Position of Parts in Body



S17 Seat Position Airbag Sensor  
 S18 Side Airbag Sensor LH  
 S19 Side Airbag Sensor RH  
 S20 Side Airbag Squib LH  
 S21 Side Airbag Squib RH  
 S22 System Main Relay  
 S23 System Main Relay  
 S24 System Main Relay  
 S25 System Main Relay  
 S26 System Main Relay

T 6 Tweeter Front LH  
 T 7 Tweeter Front RH  
 T 8 Tweeter Rear LH  
 T 9 Tweeter Rear RH

V 2 Vanity Light LH  
 V 3 Vanity Light RH  
 V 4 Vanity Light SW LH  
 V 5 Vanity Light SW RH  
 V 6 Vapor Pressure Sensor  
 V 7 VSV (Canister Closed Valve)  
 V 8 VSV (Purge Flow Switching Valve)