

## THEFT DETERRENT SYSTEM

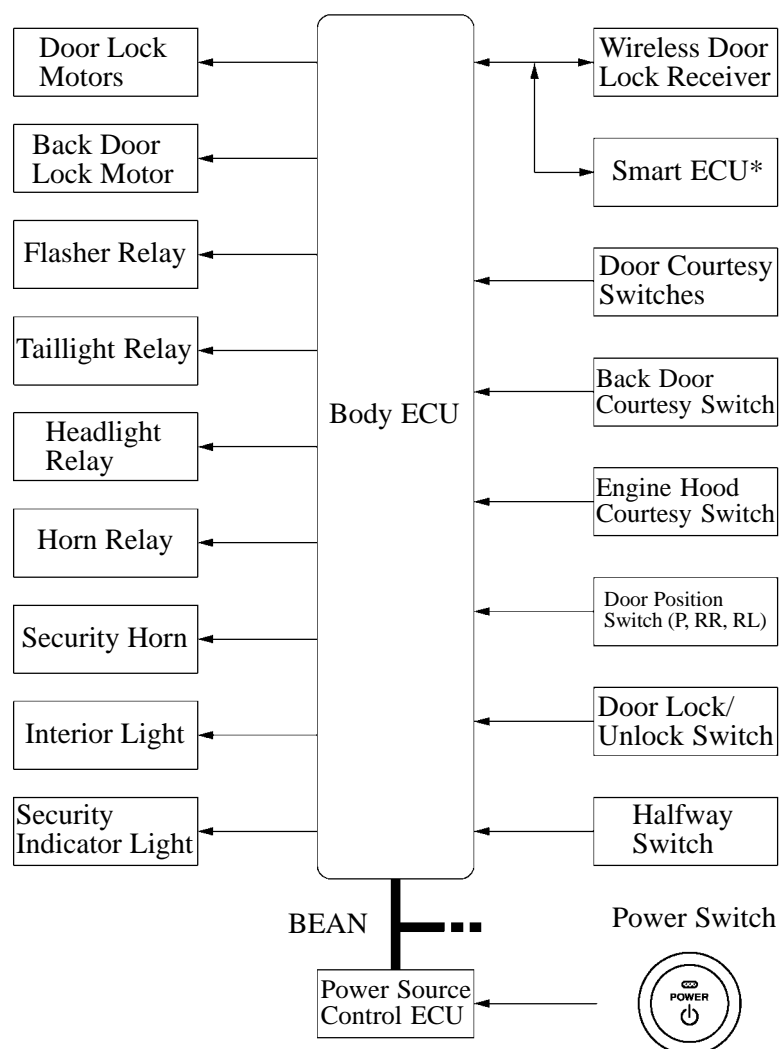
### DESCRIPTION

- This system has been provided as optional equipment on all models.
- The theft deterrent system uses the door lock control system, wireless door lock remote control system and smart entry and start system parts. The theft deterrent system will operate when somebody attempts to forcibly enter the vehicle, open the engine hood, or when the battery terminals are removed and reconnected.
- The control of this system is effected by the body ECU.

### Warning Specifications

Warning Method	Interior Light	Illuminates
	Hazard Light	Flashing
	Headlights and Taillights	Flashing
	Vehicle Horn	Sounds a warning at approx. 0.4 second cycles
	Security Horn	Sounds a warning at approx. 0.4 second cycles
	Door Lock Motor	Locking
Warning Time		57 sec.

### System Diagram



\*: Models with Smart Entry & Start System