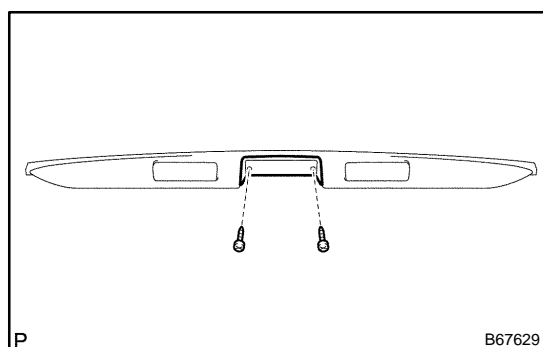
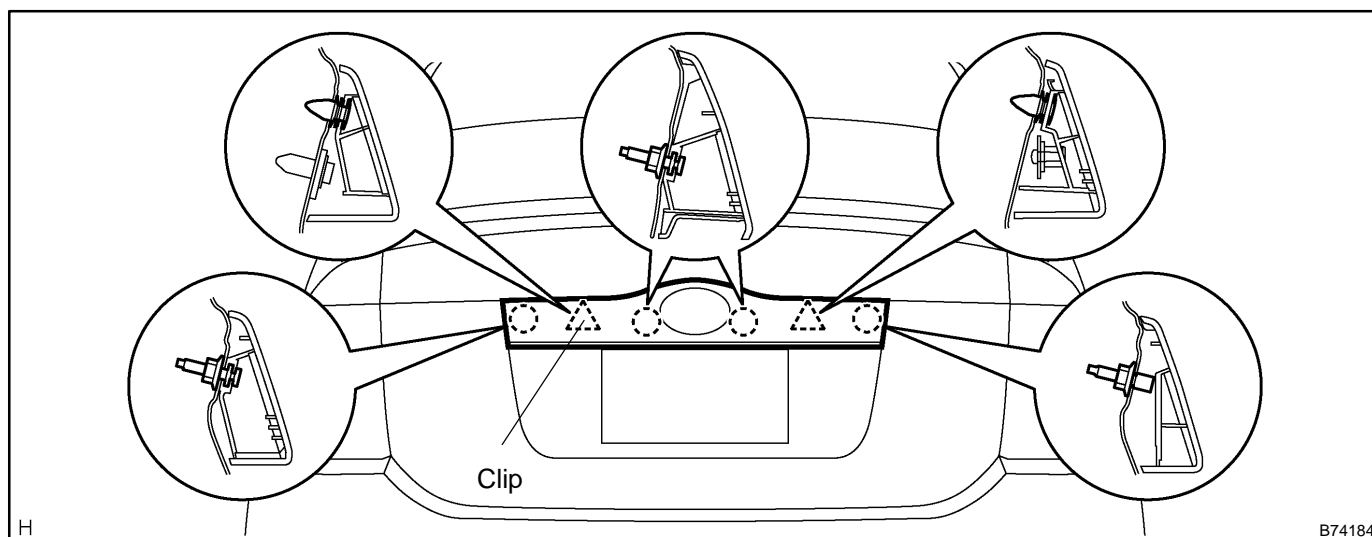


# BACK DOOR GARNISH REPLACEMENT

7615U-01

## HINT:

- The installation procedures are the removal procedures in reverse order.
  - A bolt without a torque specification is shown in the standard bolt chart (see page 03-2).
1. **REMOVE BACK DOOR TRIM BOARD ASSY (See page 75-33)**
  2. **REMOVE BACK DOOR GARNISH SUB-ASSY OUTSIDE**
    - (a) Disconnect the opener switch connector.
    - (b) Remove the 4 nuts, 2 clips and garnish.



- (c) Remove the 2 screws and back door opener switch from the garnish.