

REPLACEMENT

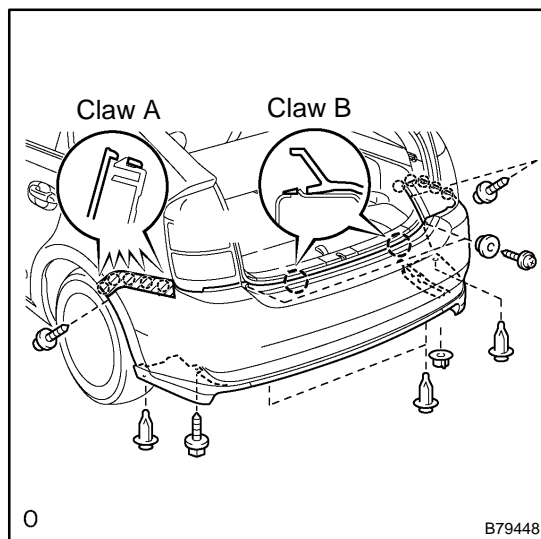
HINT:

- The installation procedures are the removal procedures in reverse order.
- When replacing the spoiler, heat the body and spoiler using a heat light.

Heating temperature:

Item	Temperature
Spoiler No. 1 Side spoiler	40 to 60°C (104 to 140°F)
Bumper	20 to 30°C (68 to 86°F)

- A bolt without a torque specification is shown in the standard bolt chart (see page 03-2).

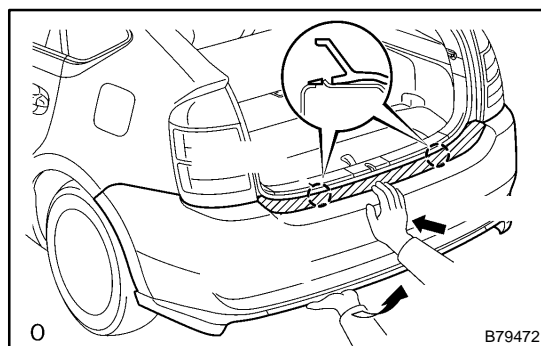


1. REMOVE REAR BUMPER COVER

- Put protective tape under the quarter panel.
- Remove the 2 screws and 2 stoppers.
- Remove the clip, screw and side spoiler LH.
- Remove the nut, clip and side spoiler RH.
- Using a clip remover, remove the 4 clips.
- Disengage the 10 claws labeled A and 2 claws labeled B.

HINT:

Tape the screwdriver tip before use.



- Engage the claw.
 - Hold the rear bumper on its upper and lower parts with your hands as shown in the illustration.
 - Pull up the rear bumper's lower part while holding its upper part securely.

NOTICE:

- Securely hold the rear bumper's upper part, otherwise the claw will not be disengaged.
- Forcibly pulling up the rear bumper will deform the claw.

2. REMOVE REAR BUMPER ENERGY ABSORBER

3. REMOVE REAR BUMPER BRACKET CENTER

4. REMOVE REAR BUMPER REINFORCEMENT SUB-ASSY

- Remove the 4 nuts and reinforcement.

5. REMOVE REAR BUMPER ARM SUB-ASSY LH

- Remove the 2 bolts and bumper arm.

6. REMOVE REAR BUMPER ARM SUB-ASSY RH

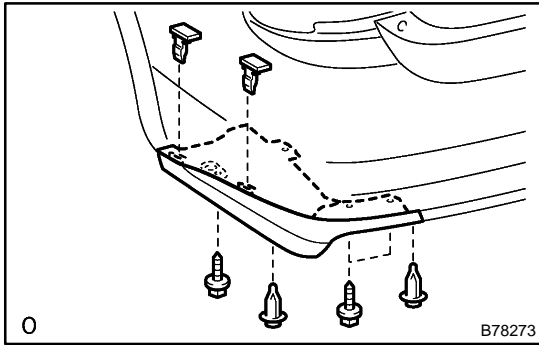
- Remove the 2 bolts and bumper arm.

7. REMOVE REAR BUMPER SIDE RETAINER LH

- Remove the 2 screws and side retainer.

8. REMOVE REAR BUMPER SIDE RETAINER RH

- Remove the 2 screws and side retainer.



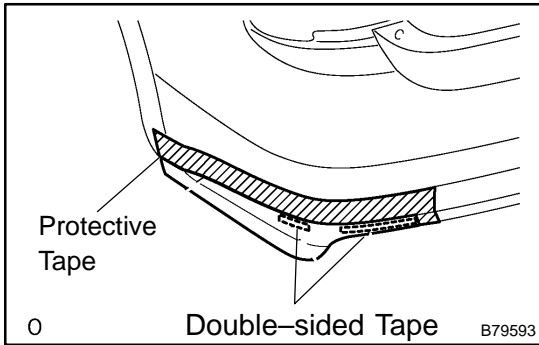
9. REMOVE REAR SIDE SPOILER LH

(a) Using a screwdriver, remove the 2 retainers.

HINT:

Tape the screwdriver tip before use.

(b) Remove the 2 clips, 3 screws and side spoiler.



(c) Put protective tape under the rear bumper.

(d) Heat the spoiler.

NOTICE:

Do not heat the spoiler excessively.

(e) Pull off the spoiler No. 1 by cutting the adhesive with a knife.

(f) Remove the side spoiler.

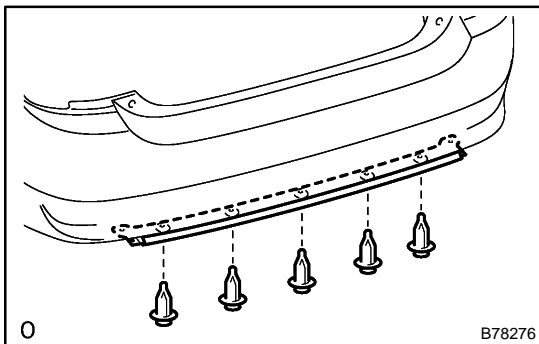
10. REMOVE REAR SIDE SPOILER RH

(a) Using a screwdriver, remove the 2 retainers.

HINT:

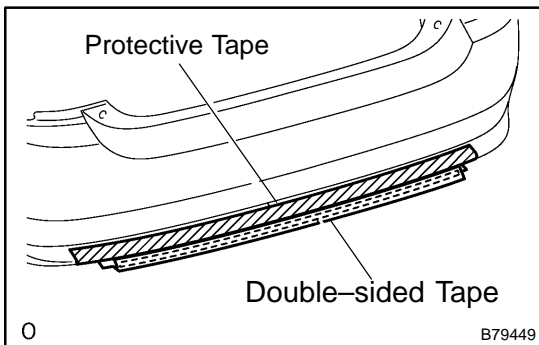
Tape the screwdriver tip before use.

(b) Remove the 2 clips and screw, nut and side spoiler.



11. REMOVE REAR NO.1 SPOILER

(a) Using a clip remover, remove the 5 clips and No. 1 spoiler.



(b) Put protective tape under the rear bumper.

(c) Heat the spoiler.

NOTICE:

Do not heat the spoiler excessively.

(d) Pull off the spoiler No. 1 by cutting the adhesive with a knife.

(e) Remove the spoiler No.1.

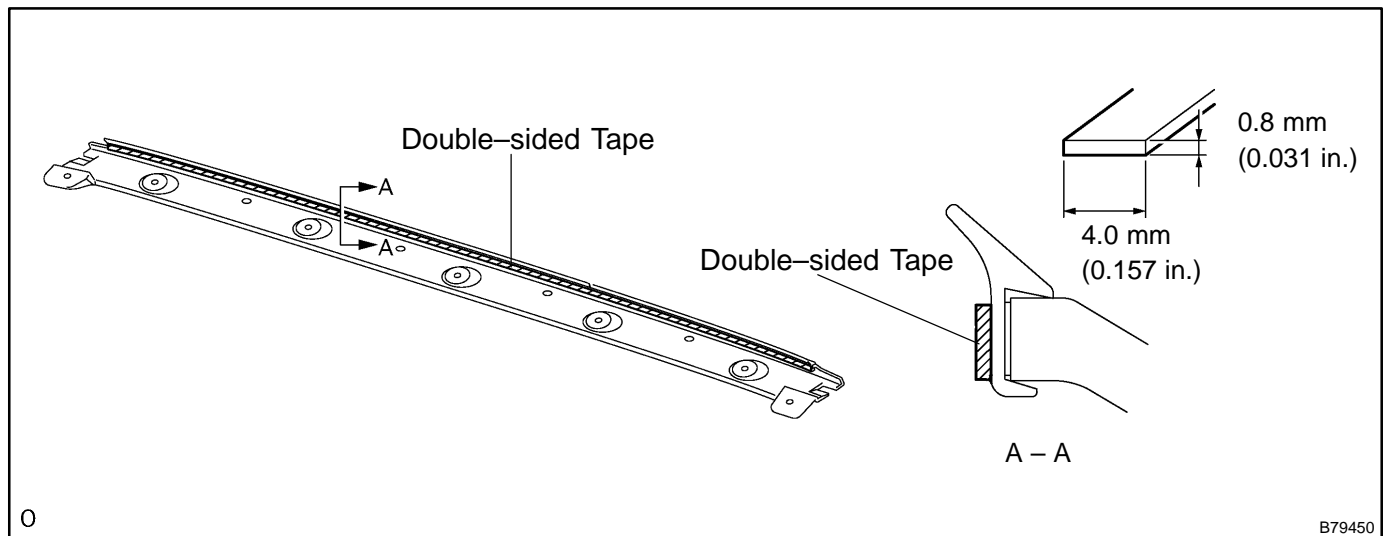
12. INSTALL REAR NO.1 SPOILER

- (a) Clean the bumper surface.
- (1) Using a heat light, heat the bumper surface.
 - (2) Remove the double-sided tape from the bumper.
 - (3) Wipe off the stains with cleaner.

NOTICE:

Do not heat the spoiler excessively.

- (b) If reusing No. 1 spoiler:
- Clean the No.1 spoiler.
- (1) Remove the double-sided tape from the No. 1 spoiler.
 - (2) Wipe off the stains with cleaner.
 - (3) Apply new double-sided tape to the No. 1 spoiler, as shown in the illustration.



- (c) Install the No. 1 spoiler.
- (1) Using a heat light, heat the bumper and No. 1 spoiler..
 - (2) Remove the peeling paper from the face of the No. 1 spoiler.

NOTICE:

Do not heat the spoiler excessively.

HINT:

After removing the peeling paper, keep the exposed adhesive free from dirt and other contaminants.

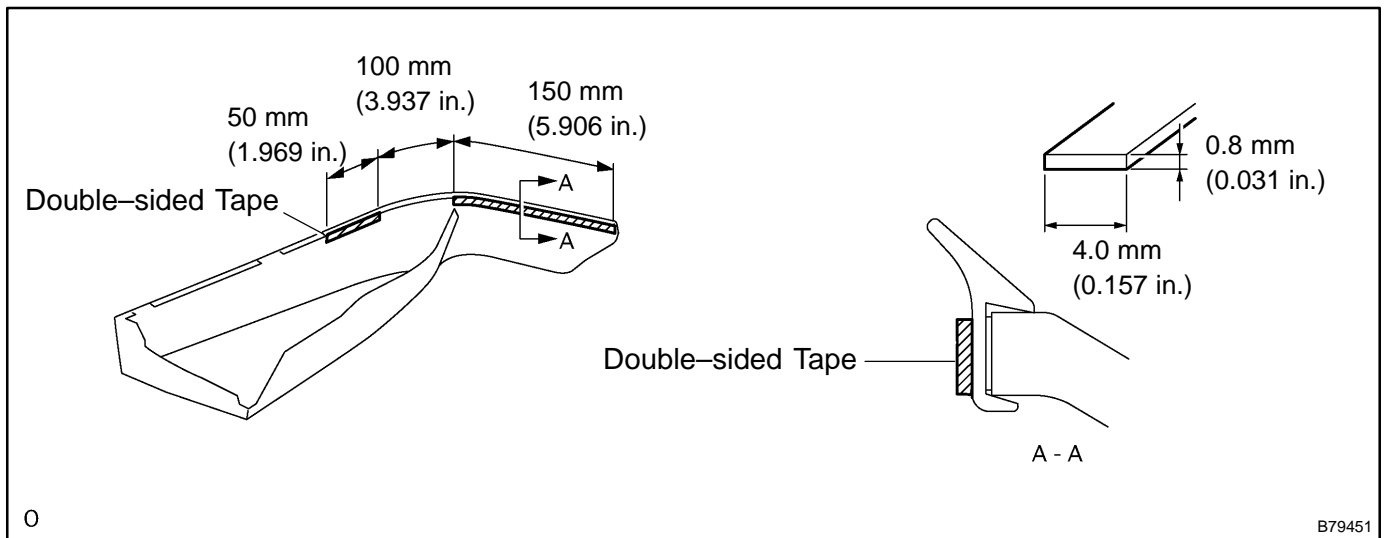
13. INSTALL REAR SIDE LH SPOILER

- (a) Clean the bumper surface.
- (1) Using a heat light, heat the bumper surface.
 - (2) Remove the double-sided tape from the bumper.
 - (3) Wipe off the stains with cleaner.

NOTICE:

Do not heat the spoiler excessively.

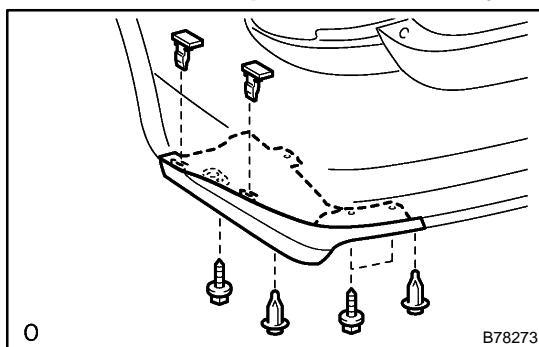
- (b) If reusing side spoiler:
- (1) Remove the double-sided tape from the No. 1 spoiler.
 - (2) Wipe off the stains with cleaner.
 - (3) Apply new double-sided tape to the side spoiler, as shown in the illustration.



- (c) Install the side spoiler.
- (1) Using a heat light, heat the bumper and side spoiler.
 - (2) Remove the peeling paper from the face of the side spoiler.

NOTICE:

Do not heat the spoiler excessively.



- (3) Install the side spoiler with the 2 retainers, 2 clips and 3 screws.

HINT:

After removing the peeling paper, keep the exposed adhesive free from dirt and other contaminants.

14. INSTALL REAR SIDE RH SPOILER**HINT:**

Use the same procedures described for the LH side.