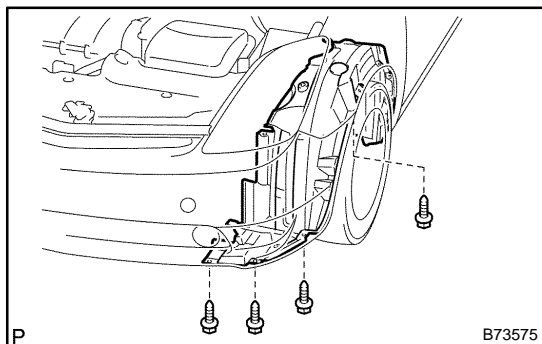


REPLACEMENT

HINT:

- The installation procedures are the removal procedures in reverse order.
- A bolt without a torque specification is shown in the standard bolt chart (see page 03-2).



1. REMOVE FRONT FENDER LINER LH

- Remove the 4 screws.
- Partially remove the fender liner.

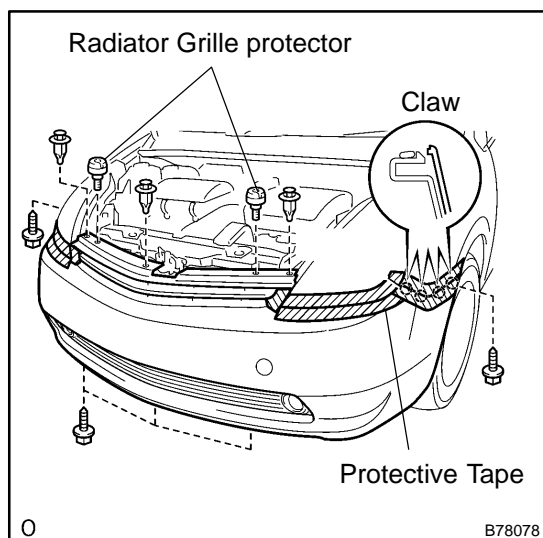
HINT:

It is not necessary to fully remove the fender liner completely. Partially remove it so that the bumper cover can be removed in step (3).

2. REMOVE FRONT FENDER LINER RH

HINT:

Use the same procedure described for the LH side.



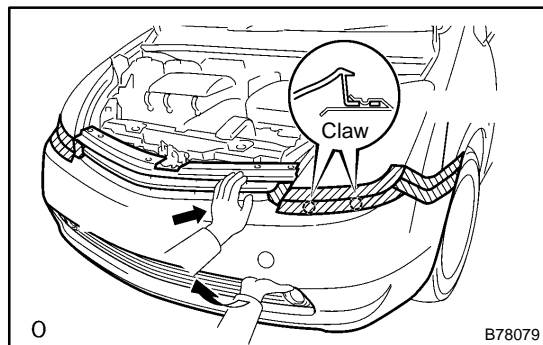
3. REMOVE FRONT BUMPER COVER

- Put protective tape under the front fender.
- Remove the 2 radiator grille protectors and 5 screws.
- Using a screwdriver, disengage the 8 clips.

HINT:

Tape the screwdriver tip before use.

- w/ Fog lamp:
Disconnect the 2 fog lamp connectors.



- Engage the 4 claws.
 - Hold the front bumper on its upper and lower parts with your hands as shown in the illustration.
 - Pull up the front bumper's lower part while holding its upper part securely.

NOTICE:

- **Securely hold the front bumper's upper part, otherwise the claw will not be disengaged.**
- **Forcibly pulling up the front bumper will deform the claw.**

4. REMOVE FRONT BUMPER ENERGY ABSORBER**5. REMOVE FRONT BUMPER REINFORCEMENT**

- (a) Using a screwdriver, remove the 4 wire harness clamps.

HINT:

Tape the screwdriver tip before use.

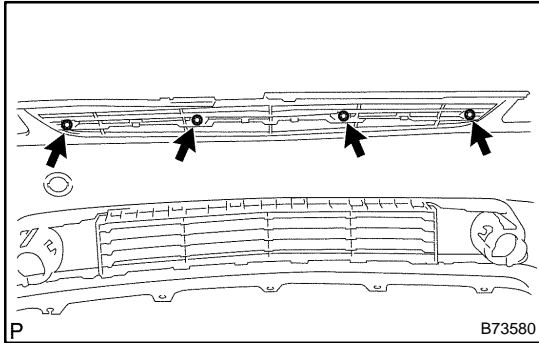
- (b) Remove the 4 nuts and reinforcement.

6. REMOVE FRONT BUMPER SIDE SUPPORT LH

- (a) Remove the 2 screws and side support.

7. REMOVE FRONT BUMPER SIDE SUPPORT RH

- (a) Remove the 2 screws and side support.

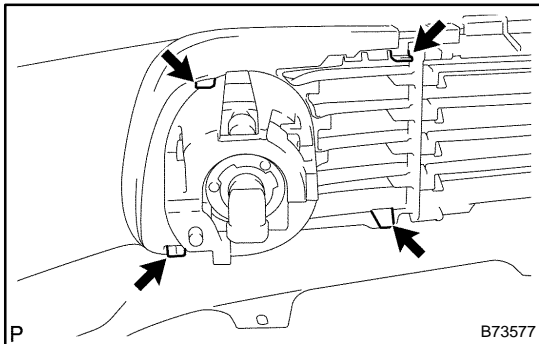
**8. REMOVE FRONT BUMPER MOULDING**

- (a) Remove the 4 screws.

- (b) Using a screwdriver, disengage the 4 claws and moulding.

HINT:

Tape the screwdriver tip before use.

9. REMOVE FOG LAMP ASSY LH**10. REMOVE FOG LAMP ASSY RH****11. REMOVE RADIATOR GRILLE LOWER LH**

- (a) Using a screwdriver, disengage the 4 claws and remove the grill lower.

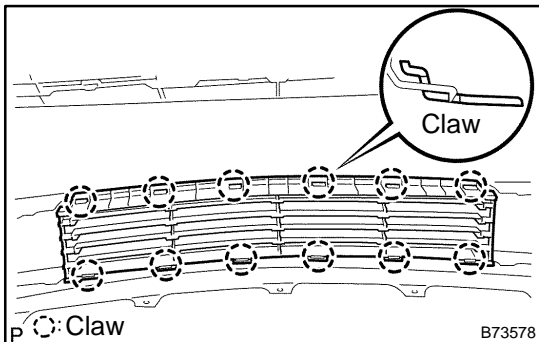
HINT:

Tape the screwdriver tip before use.

12. REMOVE RADIATOR GRILLE LOWER RH

HINT:

Use the same procedure described for the LH side.

**13. REMOVE RADIATOR GRILLE**

- (a) Using a screwdriver, disengage the 12 claws and remove the grill.

HINT:

Tape the screwdriver tip before use.

14. REMOVE FRONT TURN SIGNAL LAMP MOUNTING BRACKET RH

- (a) Using a screwdriver tip before use.

15. INSTALL FRONT BUMPER REINFORCEMENT

- (a) Install the reinforcement with the 6 nuts.

Torque: 13 N·m (133, kgf·cm, 10 ft·lbf)

16. INSTALL FRONT BUMPER COVER

- (a) Install the bumper cover with the 2 bolts.

Torque: 5.0 N·m (51, kgf·cm, 44 in·lbf)